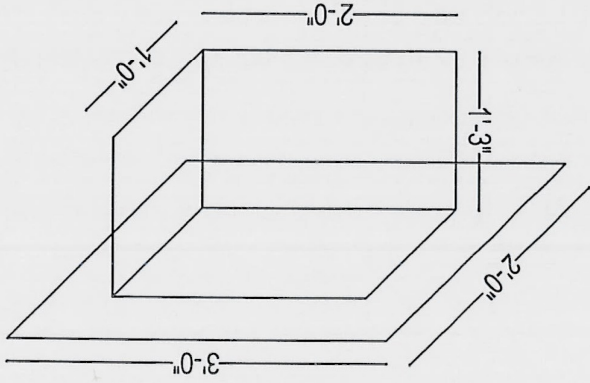
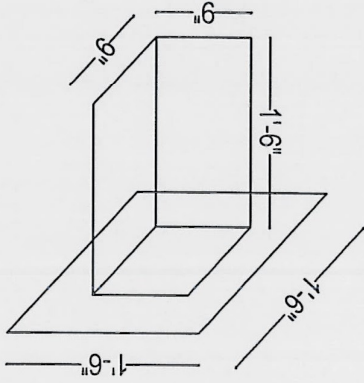


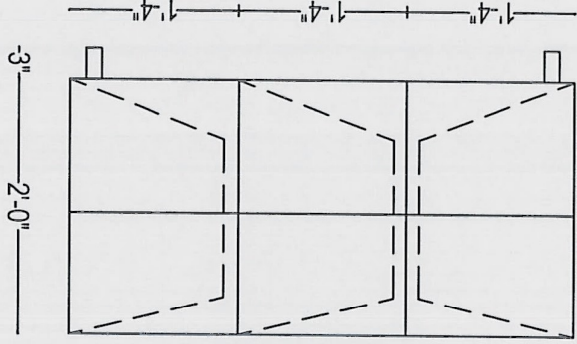
Centre table



Side table



Buffet table



(Depth 15" to 18")

APPROVED FOR CONSTRUCTION
07 MAY 2018
SOHAM MODI
MANAGING DIRECTOR

Description		Direction	
Owners & Developers :		Modi Properties & Investment Pvt Ltd.	
Prepared By :		Soham Modi	
Approved By :		Soham Modi	
Date :		05.02.16	
Scale :		N.T.S	
Project Name & Phase :		Modi Properties & Investment Pvt. Ltd.	
Promoted by		Modi Properties & Investments Pvt. Ltd.	
Phone:+91-40-66335551			