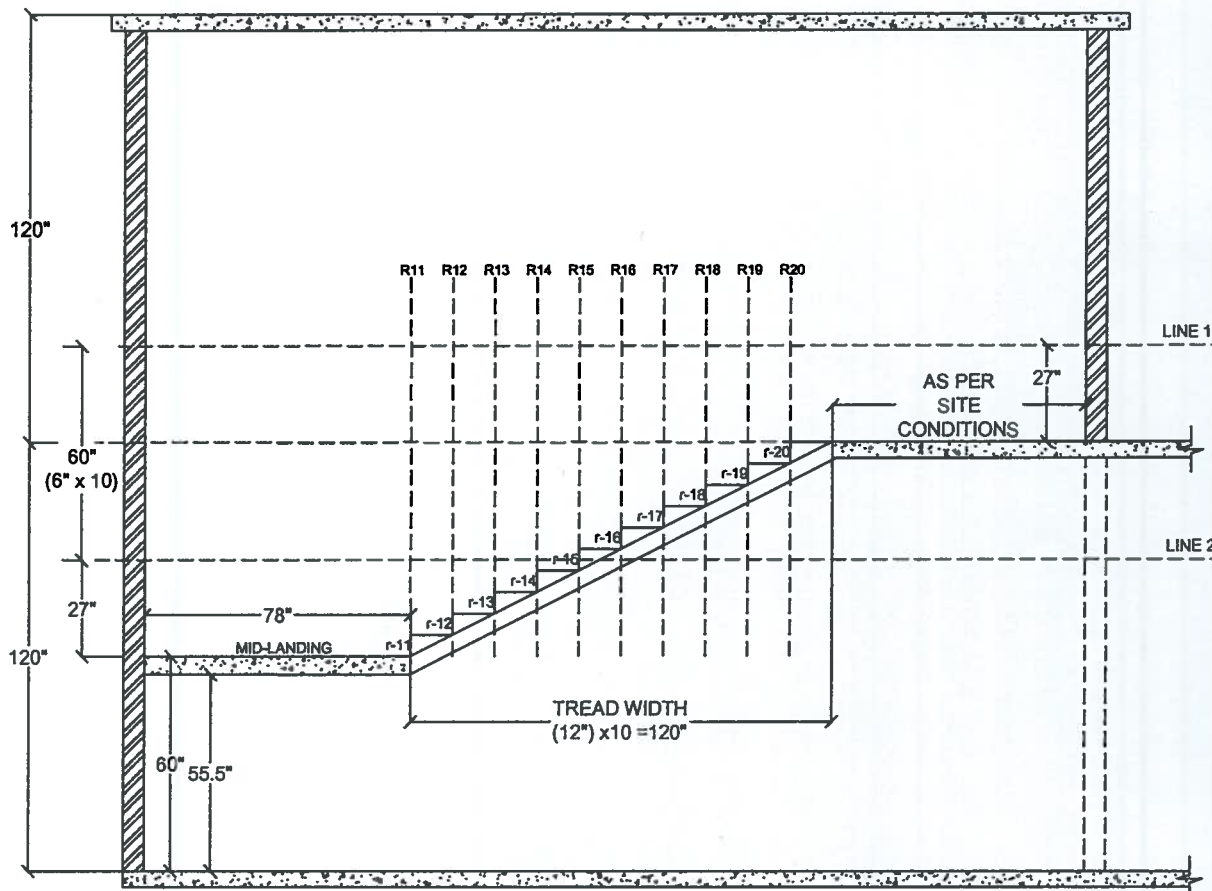
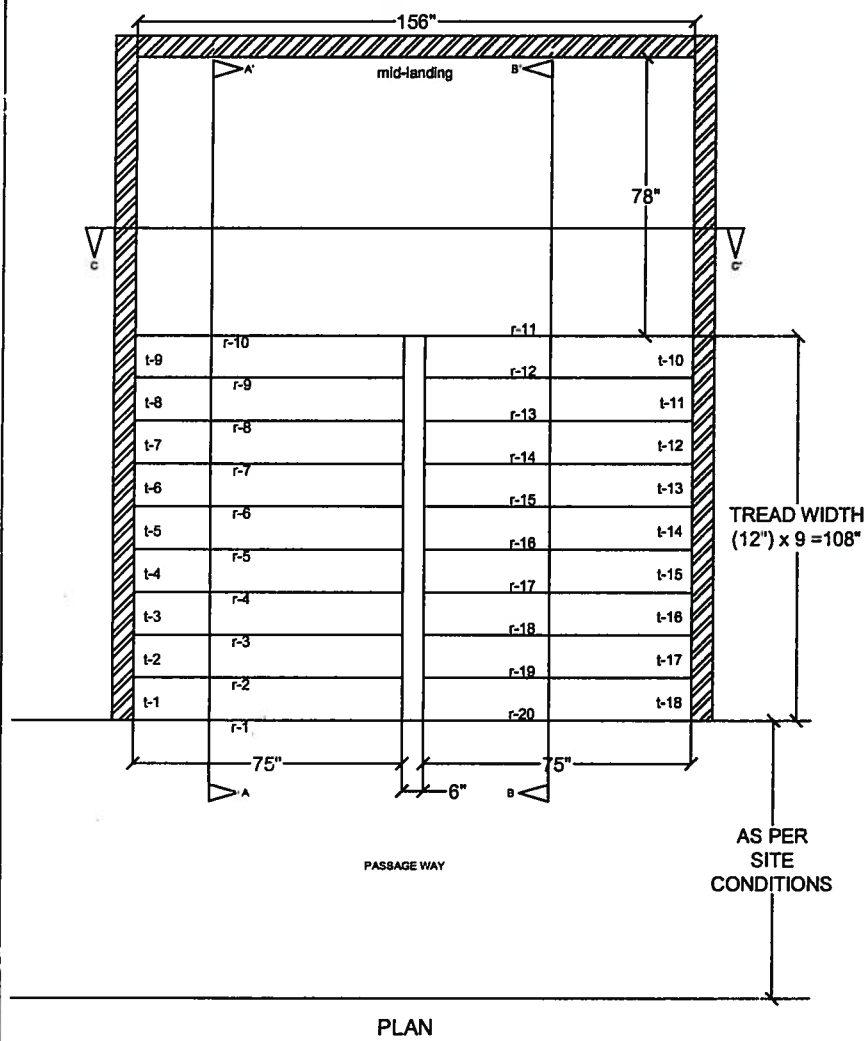


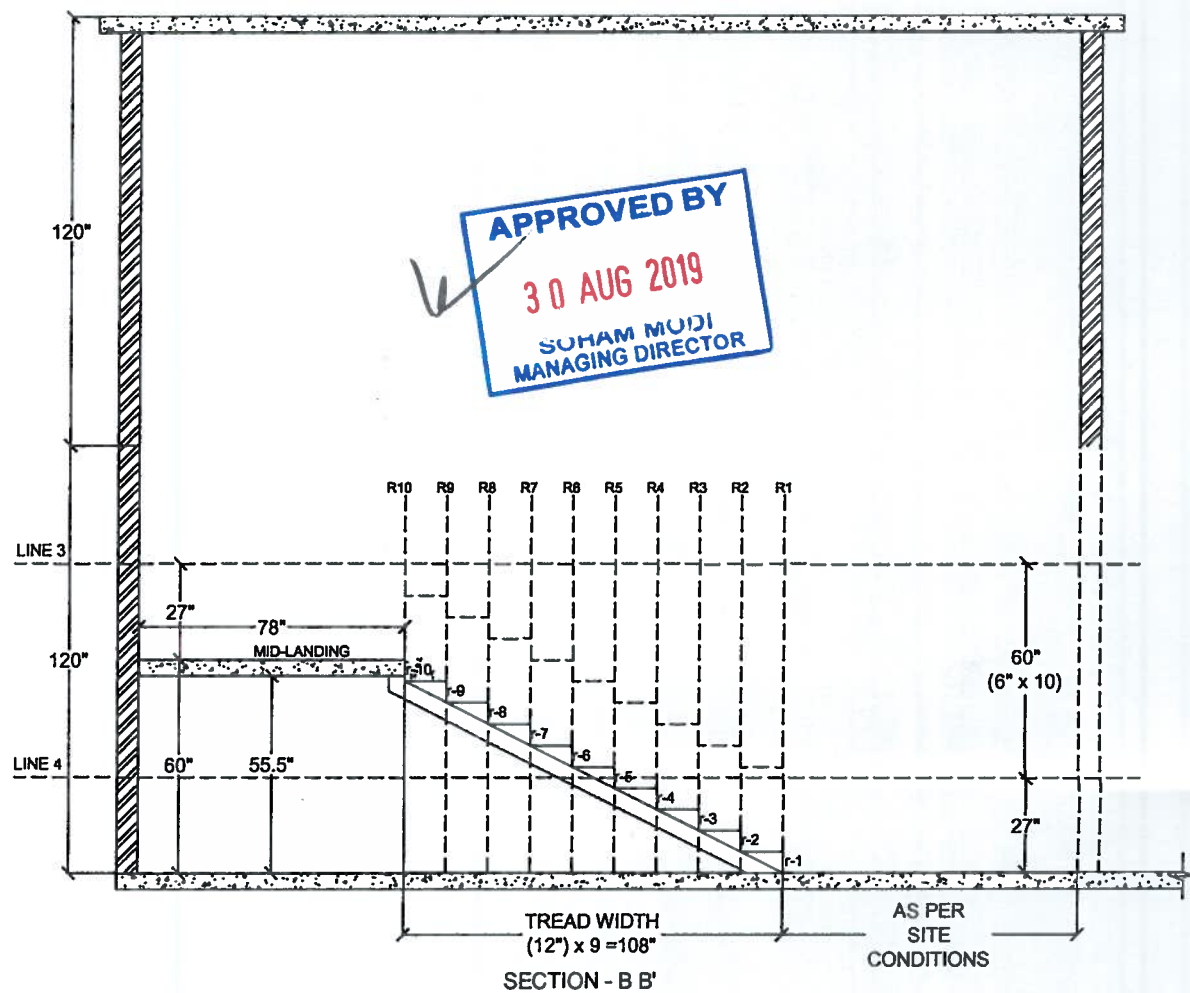
SECTION - C C'



SECTION - A A'



PLAN

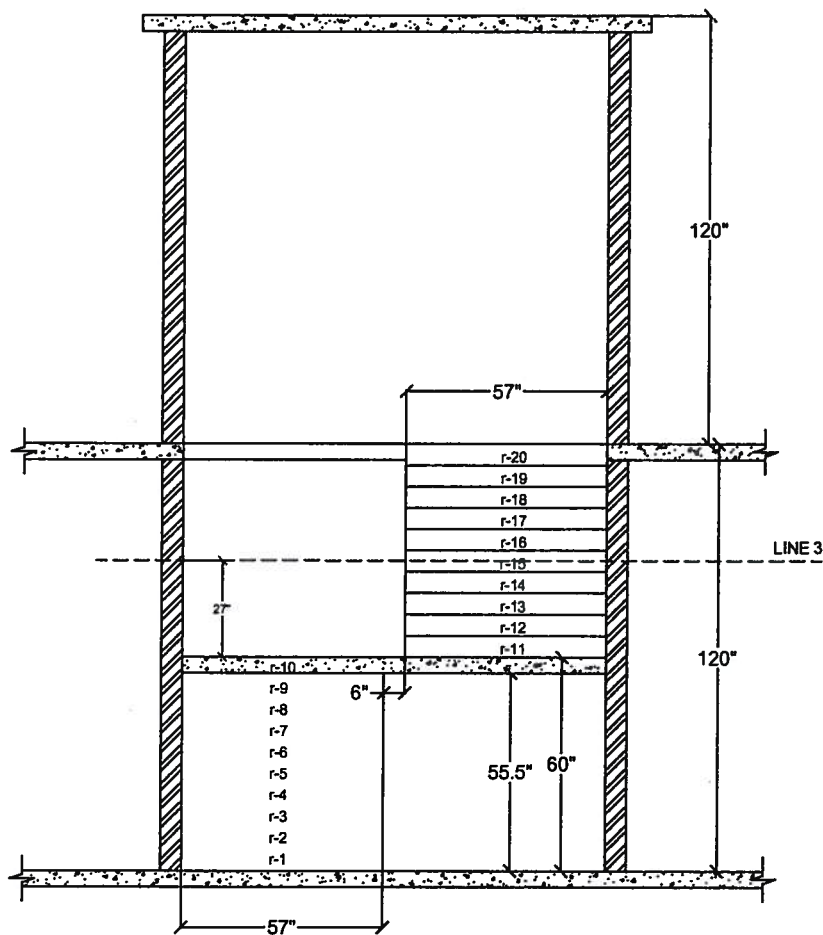


SECTION - B B'

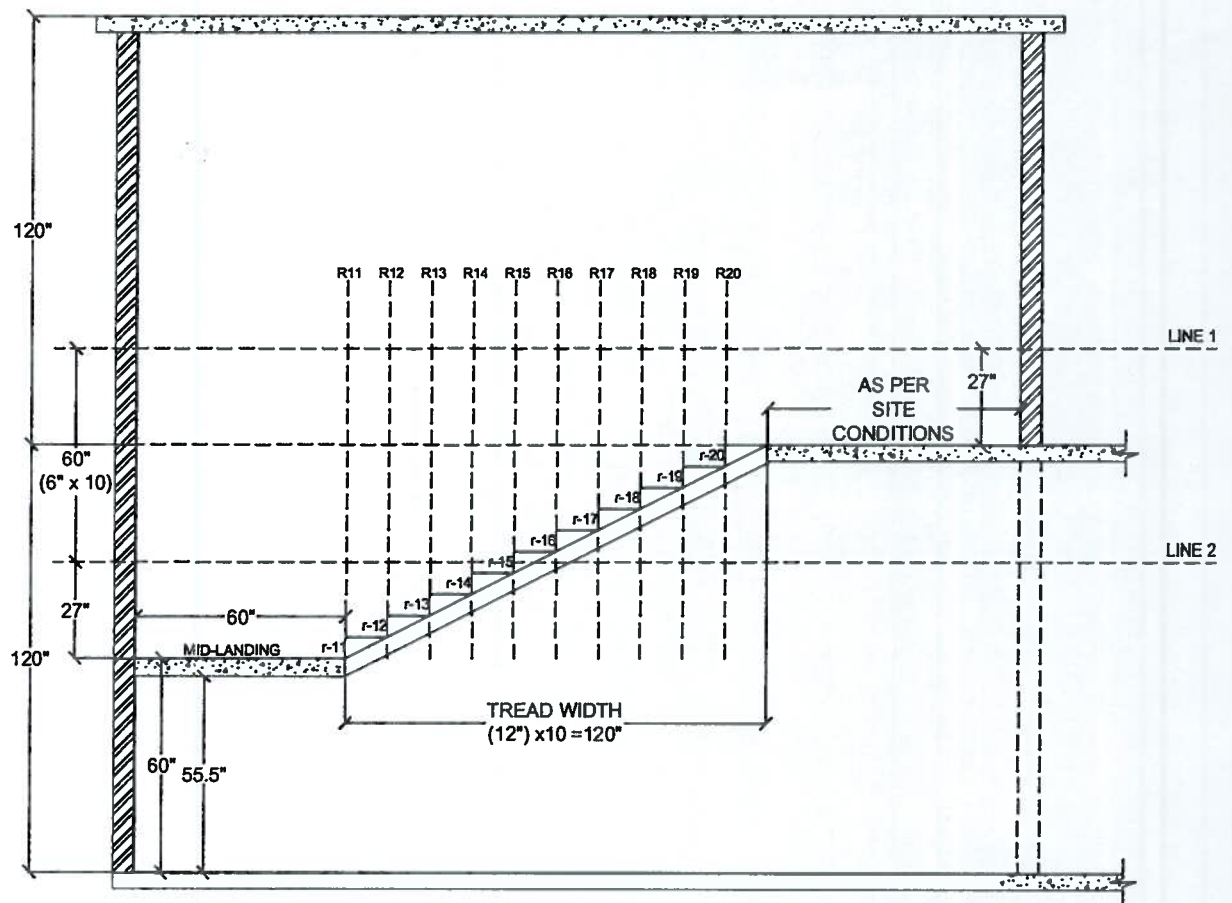
APPROVED BY
 30 AUG 2019
 SOHAM MUJI
 MANAGING DIRECTOR

TREAD WIDTH - 12"
 RISER WIDTH - 6"

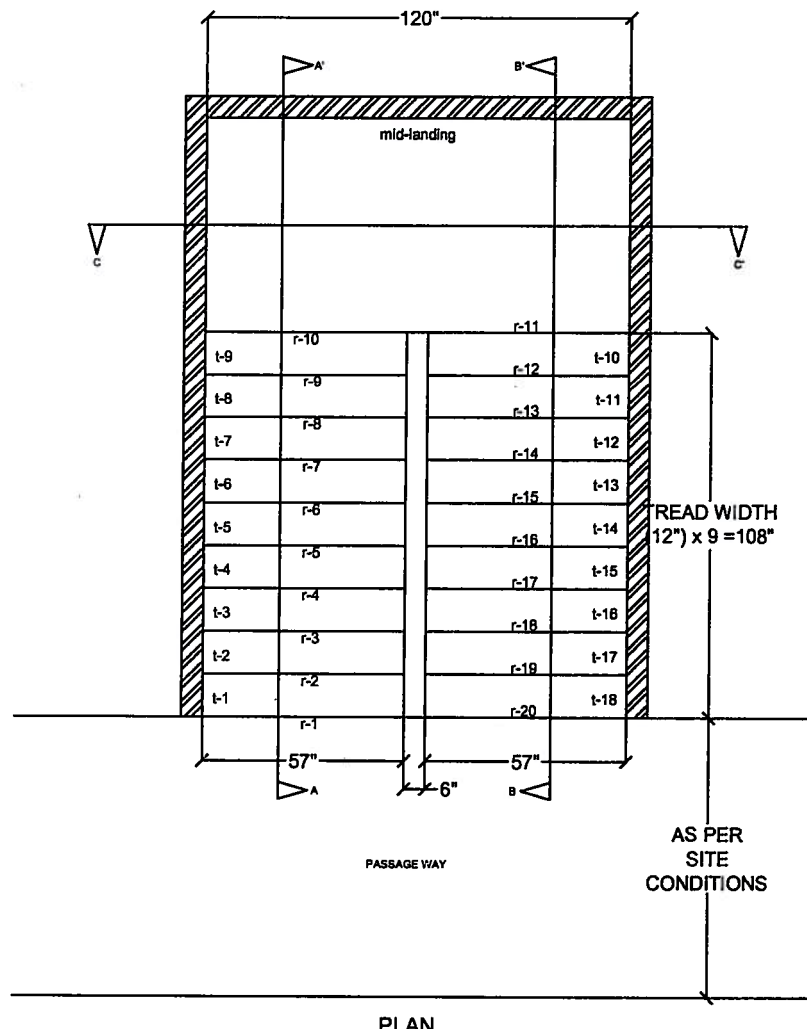
Description	Direction	Owners & Developers :	Date :	28/08/19	Promoted by
4.0M STAIRCASE DRAWING FOR APARTMENTS MARKING PLAN		Modi Properties Pvt Ltd.	Prepared By :		Modi Properties Pvt. Ltd.
		Project Name & Phase :	Approved By :	Soham Modi	Phone:+91-40-66335551
			Scale :	N.T.S	



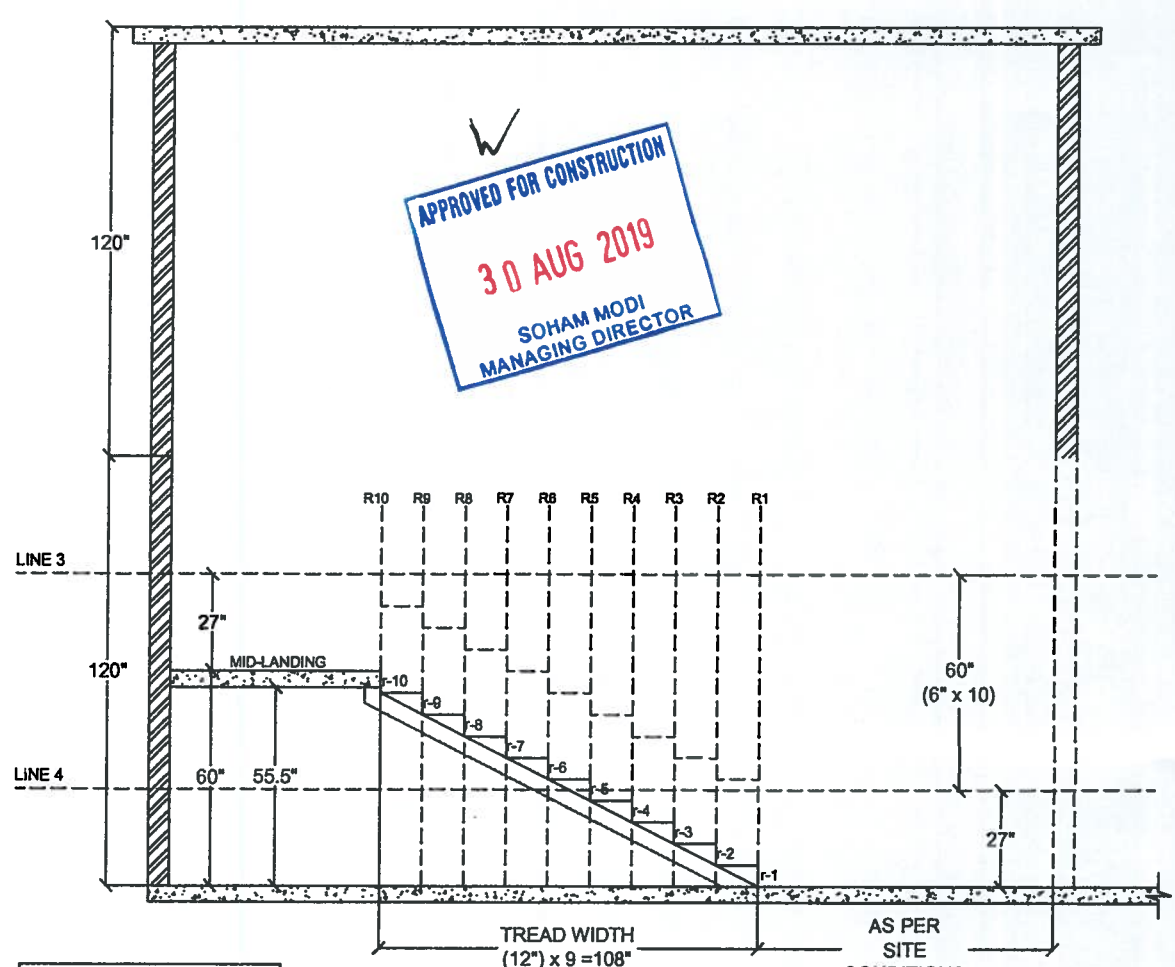
SECTION - C C'



SECTION - A A'



PLAN



SECTION - B B'

TREAD WIDTH - 12"
RISER HEIGHT - 6"

APPROVED FOR CONSTRUCTION
30 AUG 2019
SOHAM MODI
MANAGING DIRECTOR

Description 3.0M WIDE STAIRCASE DRAWING FOR APARTMENTS MARKING PLAN	Direction 	Owners & Developers :	Date :	28/08/18	Promoted by
		Modi Properties Pvt Ltd.	Prepared By :		Modi Properties Pvt. Ltd. Phone:+91-40-66335551
		Project Name & Phase :	Approved By :	Soham Modi	
			Scale :	N.T.S	