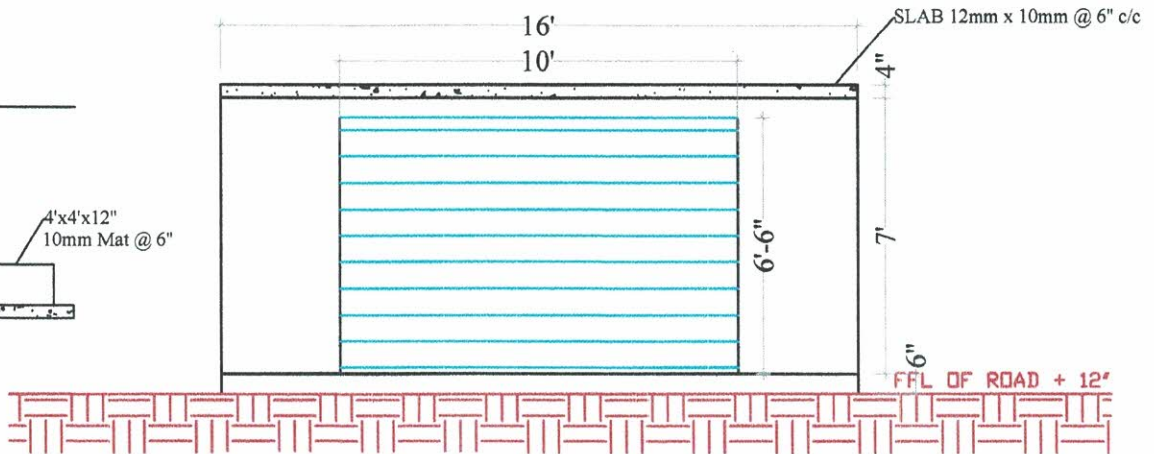
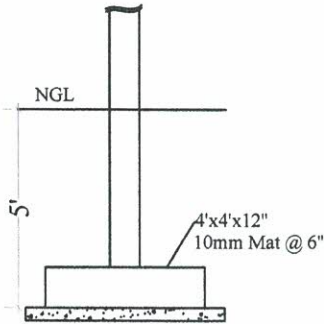
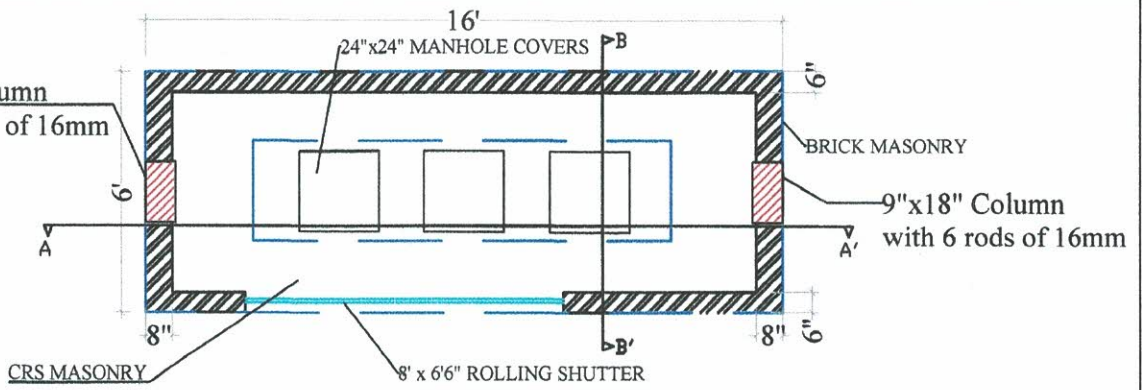
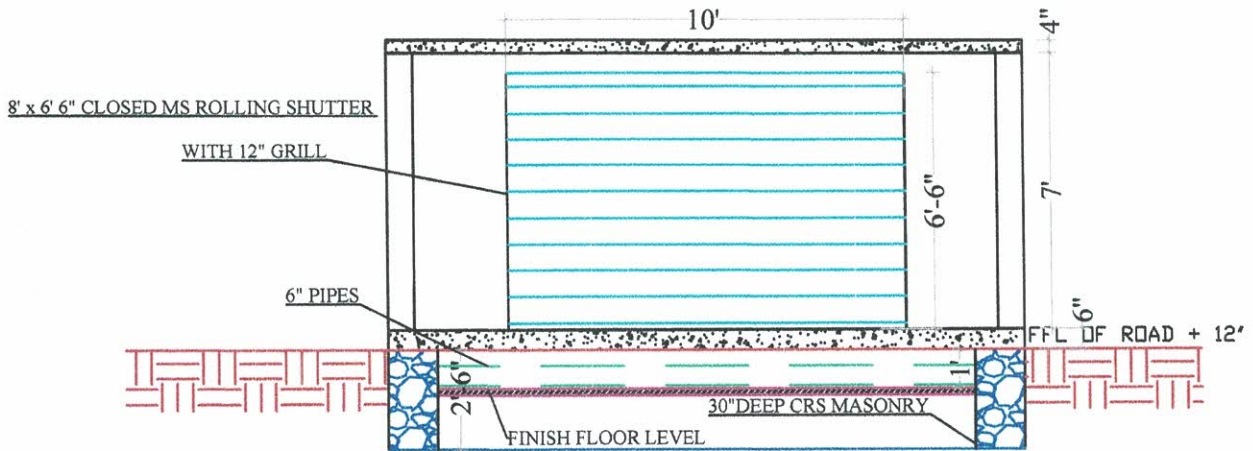


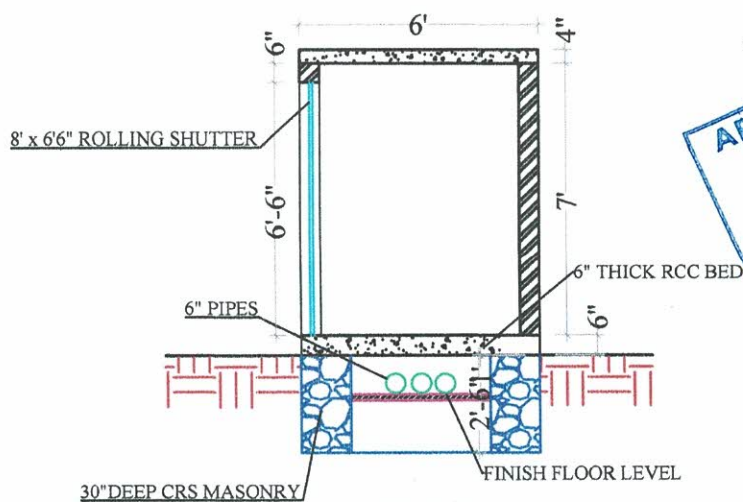
9"x18" Column
with 6 rods of 16mm



FRONT ELEVATION



SECTION AA'



SECTION BB'

APPROVED BY
22 FEB 2022
SOHAM MODI
MANAGING DIRECTOR

Description	Direction	Owners & Developers :	Date :	19.02.2022	Promoted by
TRANSFORMER ROOM		Silver Oak Villas LLP	Prepared By :		Modi Properties &
PLAN, FRONT ELEVATION & SECTIONS		Project Name & Phase :	Approved By :	Soham Modi	Investments Pvt. Ltd.
FIG.NO.67		Silver Oak Villas	Scale :	N T S	Phone:+91-40-66335551