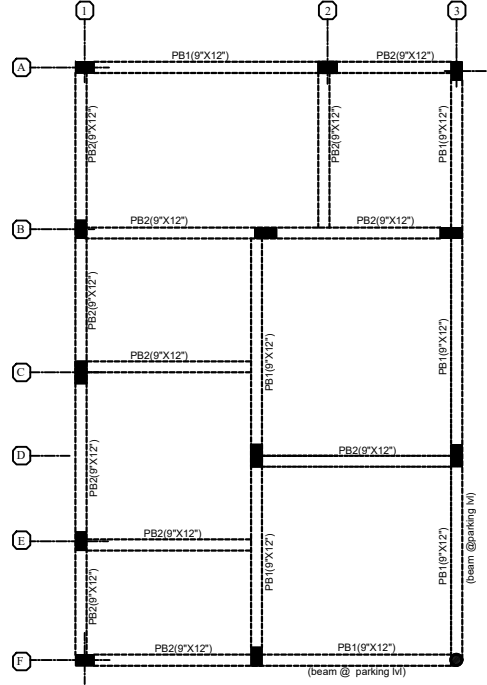
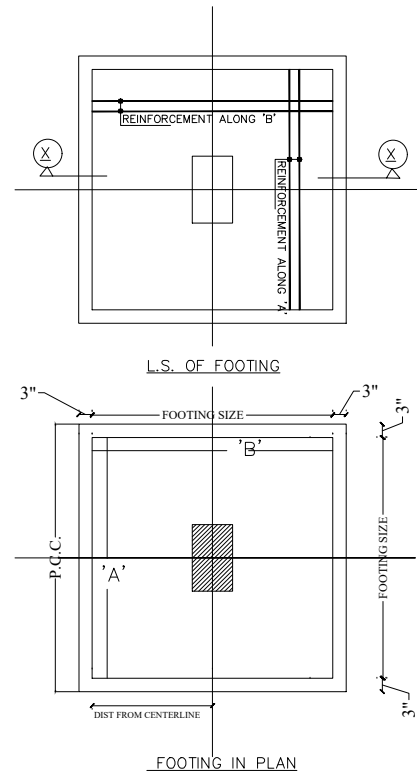
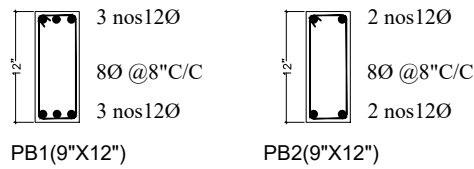


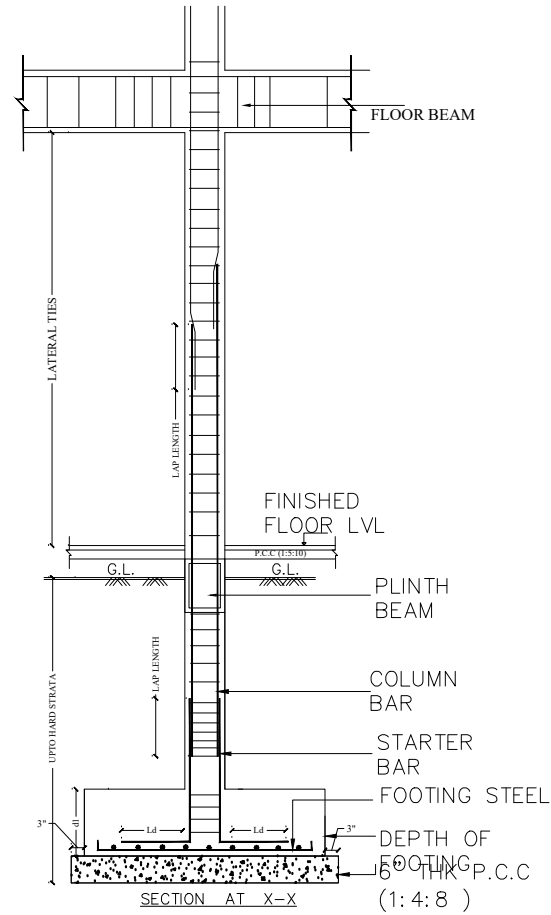
NOTE : RAFER ARCHITECT CENTER LINE DRAWING FOR DIMENSIONS



PLINTH BEAM LAY-OUT



TYPICAL DETAIL OF FOOTING

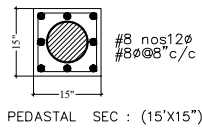


COLUMN SECTION DETAILS

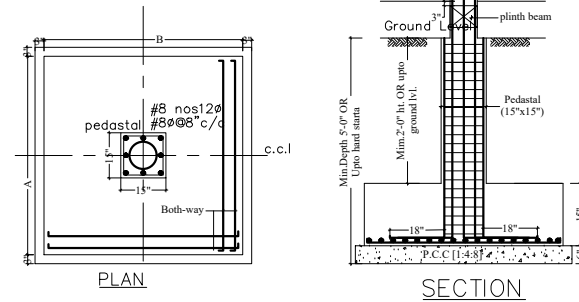
| TYPE/ NOS | CONC. GRADE | SIZE | STEEL | SECTION | LATERAL TIES |
|-----------|-------------|----------------------------------|-----------|---------|-------------------------|
| C1 | M25 | 9"x15" | 6 nos 16Ø | | 8Ø@8" c/c |
| C2 | M25 | 9"x18" | 8 nos 16Ø | | 4-leg ties 8Ø@8" c/c |
| C3 | M25 | 9" dia 15" X15" (Pedastal) | 8 nos 16Ø | | 8Ø@8" c/c |

FOOTINGS SECTION DETAILS

| TYPE/ NOS | CONC. GRADE | PIT SIZE | FOOTING SIZE (A X B) | DEPTHS | REINFORCEMENT ALONG A&B |
|-----------|-------------|-----------|----------------------|--------|-------------------------|
| F1 | M20 | 6'0"x6'0" | 5'6"x5'6" | 18" | 10Ø@5" c/c BOTH WAYS |
| F2 | M20 | 7'6"x7'6" | 7'0"x7'0" | 18" | 10Ø@5" c/c BOTH WAYS |



PEDASTAL SEC : (15'X15')



CIRCULAR COLUMN FOOTING DETAILS

General Notes : --

1. Use M25 (1:1:2) grade for columns & M20 (1:1.5:3) for footings, slab & Beams
2. Use FE 500 grade tor steel.
3. Provide clear cover of 2" for footings & 1.5" for columns.
4. S.B.C of the Soil is taken as 200kn/m2.
5. Footings are designen for Ground & 1st floor.
6. Provide clear cover of 1"for beams
7. All loose pockets should be filled by p.c.c (1:2:4).
8. Rock foundation should have anchor rods in the rock .

| | | |
|----|---|-----------|
| 1. | REVISED Columns & footings with revised columns positions | 22-8-2017 |
|----|---|-----------|

GOOD FOR CONSTRUCTIONS

Client: MODI PROPERTIES & INVESTMENTS PVT.LTD

Project: MIRYALGUDA - A1 (3 BHK)

STRUCTURAL CONSULTANT: **KULKARNI CONSULTANT'S**
STRUCTURAL ENGINEERS, ARCHITECTS & PROJECT CONSULTANT'S
#216, KUBERA TOWER'S, NARAYAN GUDA, HYDERABAD.
CONTACT NO'S:- 04023223891, 09246343724, 09246343720.

| | | | |
|---------------------|-----------|--|--------------------------|
| DATE | 22-8-2017 | TYPE - A1 - (3 BHK) internal staircase | |
| DEALT BY | PAWAN | TITLE: | COLUMN & FOOTING DETAILS |
| DESIGN BY | SANTOSH | | |
| CHECKED & APPROVED: | KULKARNI | DWG. NO. | KC/MG/SD/A1/1 |
| | | REV. No. | 1 |