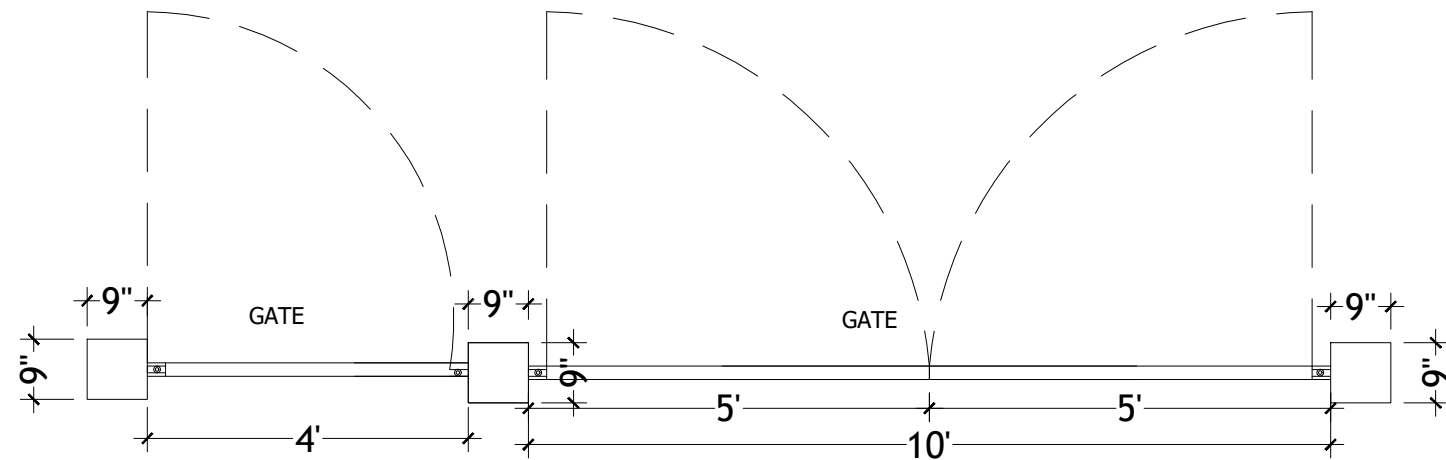
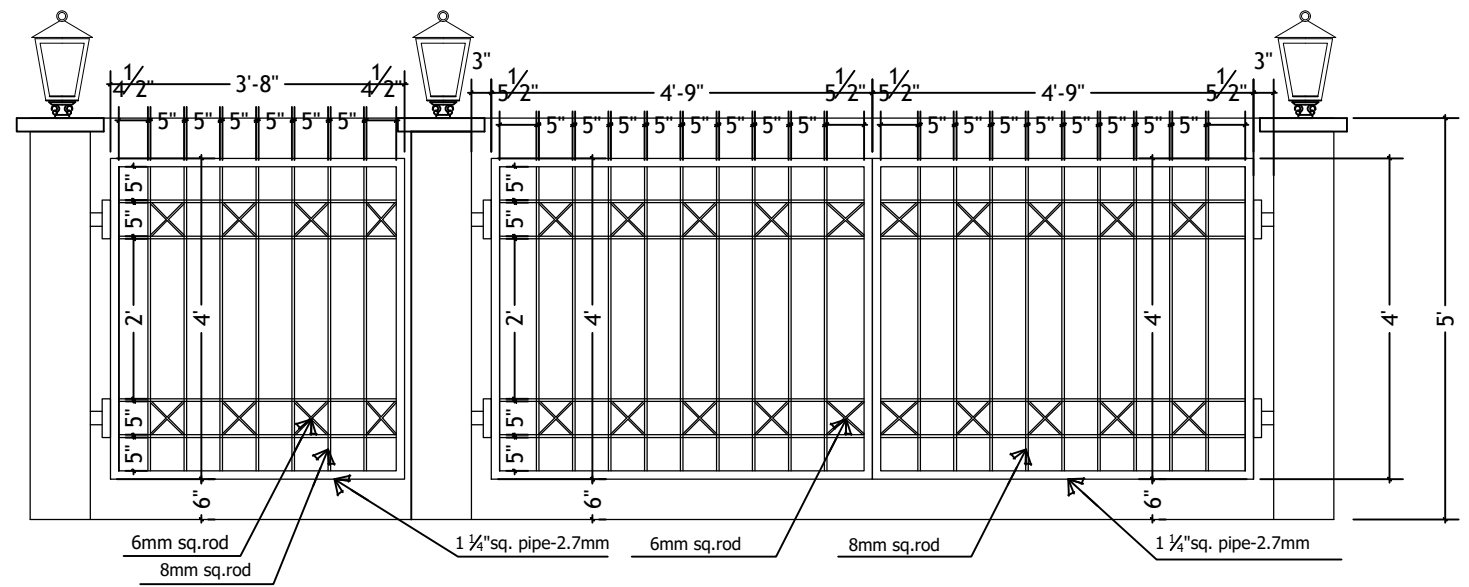
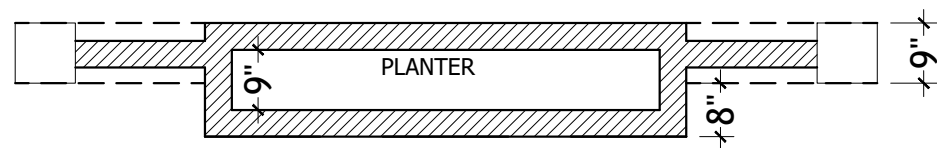
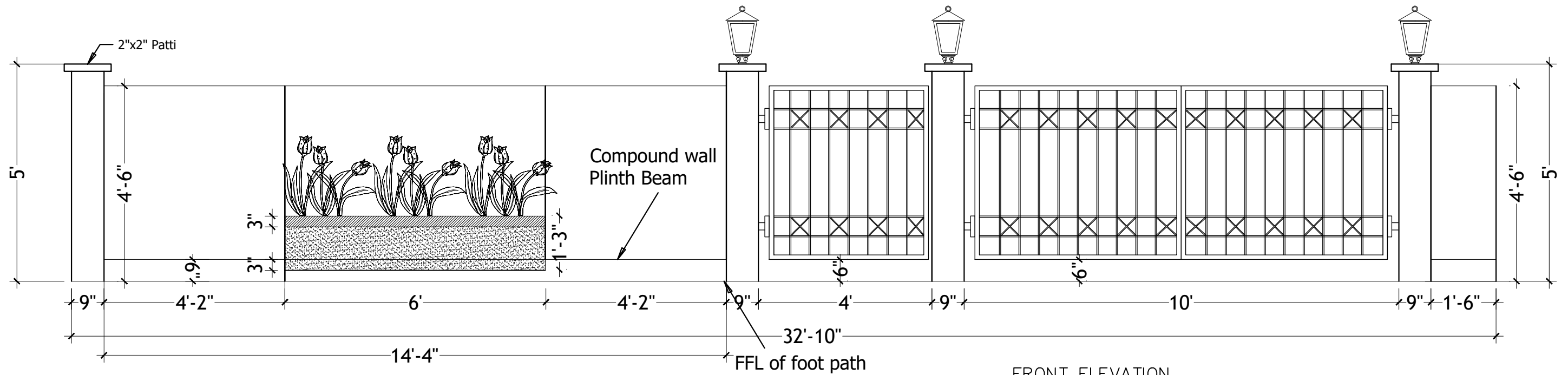


SECTION



PLAN (Gate to open both sides)



FRONT ELEVATION

COMPOUND WALL & GATE DETAILS -TYPE A1		Owners & Developers :	Date :	02/04/18	Promoted by Modi Properties Pvt. Ltd. Phone:+91-40-66335551
		Modi Properties Pvt Ltd.	Prepared By :	Madhav	
		Project Name & Phase :	Approved By :	Soham Modi	
		AVR's Gulmohar Homes	Scale :	N.T.S	