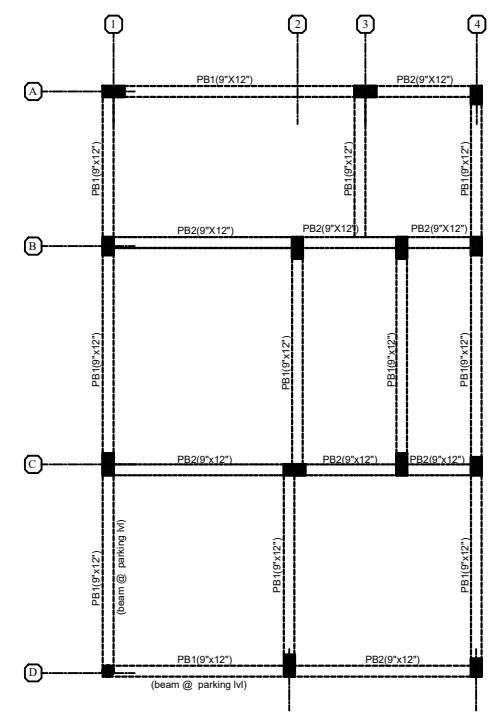
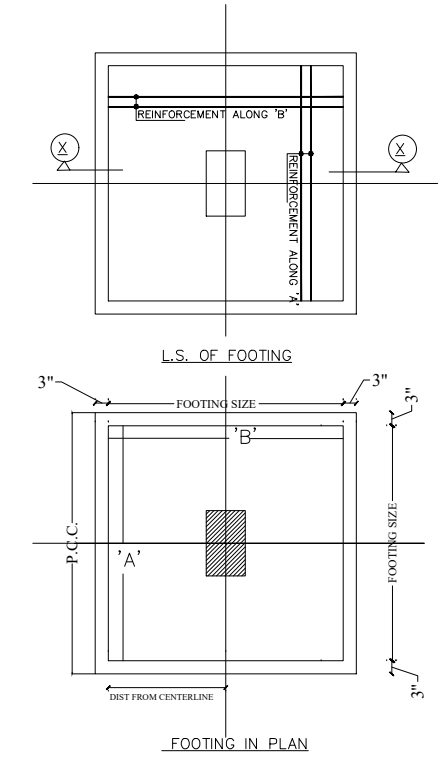
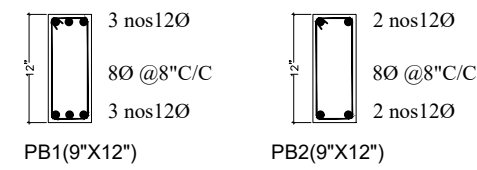


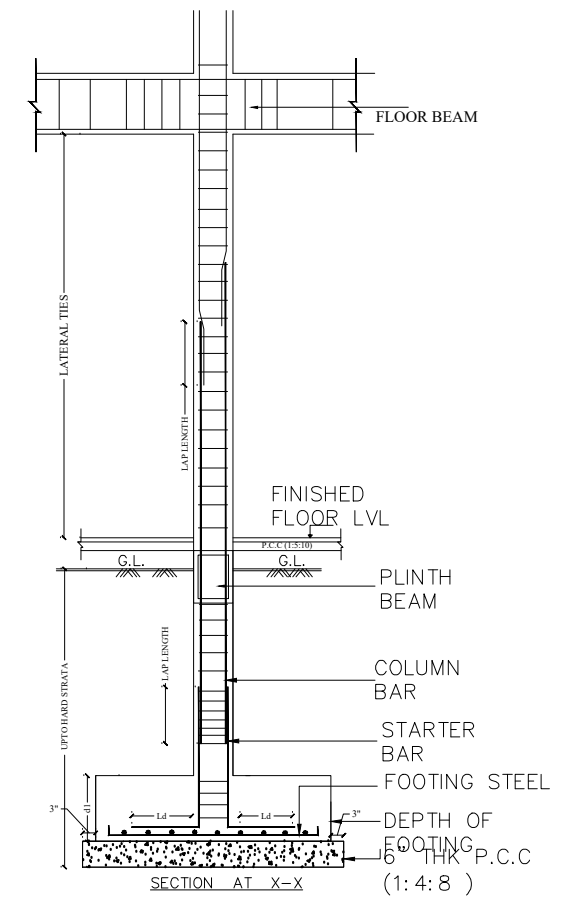
NOTE: RAFER ARCHITECT CENTER LINE DRAWING FOR DIMENSIONS



PLINTH BEAM LAY-OUT



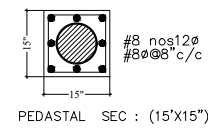
TYPICAL DETAIL OF FOOTING



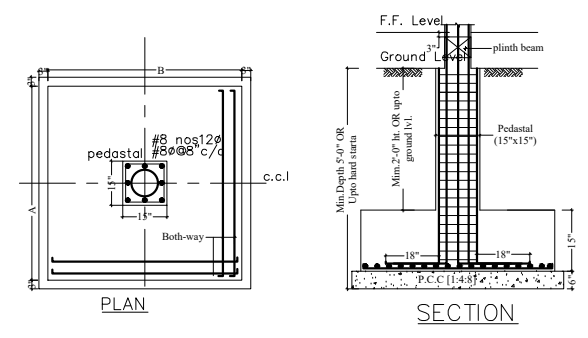
SECTION AT X-X

COLUMN SECTION DETAILS					
TYPE/ NOS	CONC. GRADE	SIZE	STEEL	SECTION	LATERAL TIES
C1	M25	9"x15"	6 nos 16Ø		8Ø@8" c/c
C2	M25	9"x18"	8 nos 16Ø		4-leg ties 8Ø@8" c/c
C3	M25	9" dia 15" X15" (Pedestal)	8 nos 16Ø		8Ø@8" c/c

FOOTINGS SECTION DETAILS					
TYPE/ NOS	CONC. GRADE	PIT SIZE	FOOTING SIZE (A X B)	DEPTHS d1	REINFORCEMENT ALONG A&B
F1	M20	6'0"x6'0"	5'6"x5'6"	18"	10Ø@ 5" c/c BOTH WAYS
F2	M20	7'6"x7'6"	7'0"x7'0"	18"	10Ø@ 5" c/c BOTH WAYS
F3	M20	4'9"x7'6"	4'3"x7'0"	18"	10Ø@ 5" c/c BOTH WAYS



PEDASTAL SEC : (15'X15")



CIRCULAR COLUMN FOOTING DETAILS

- General Notes : --
1. Use M25 (1:1:2) grade for columns & M20 (1:1.5:3) for footings, slab & Beams
 2. Use FE 500 grade tor steel.
 3. Provide clear cover of 2" for footings & 1.5" for columns.
 4. S.B.C of the Soil is taken as 200kn/m2.
 5. Footings are design for Ground & 1st floor.
 6. Provide clear cover of 1" for beams
 7. All loose pockets should be filled by p.c.c (1:2:4).
 8. Rock foundation should have anchor rods in the rock .

NO.	DESCRIPTION	DATE
1.	REVISED Columns & footings with revised columns positions	22-8-2017

GOOD FOR CONSTRUCTIONS



Client: MODI PROPERTIES & INVESTMENTS PVT.LTD

Project: MIRYALGUDA - A2 (3 BHK)

STRUCTURAL CONSULTANT: KULKARNI CONSULTANT'S
STRUCTURAL ENGINEERS, ARCHITECTS & PROJECT CONSULTANT'S
#216, KUBERA TOWER'S, NARAYAN GUDA, HYDERABAD.
CONTACT NO'S:- 04023223891, 09246343724, 09246343720.

DATE: 22-8-2017	TYPE - A2 - (3 BHK) internal staircase	
DEALT BY: PAWAN		
DESIGN BY: SANTOSH		
CHECKED & APPROVED: KULKARNI		
TITLE: COLUMN & FOOTING DETAILS	DWG. NO. KC/MG/SD/A2/1	REV. No. 1