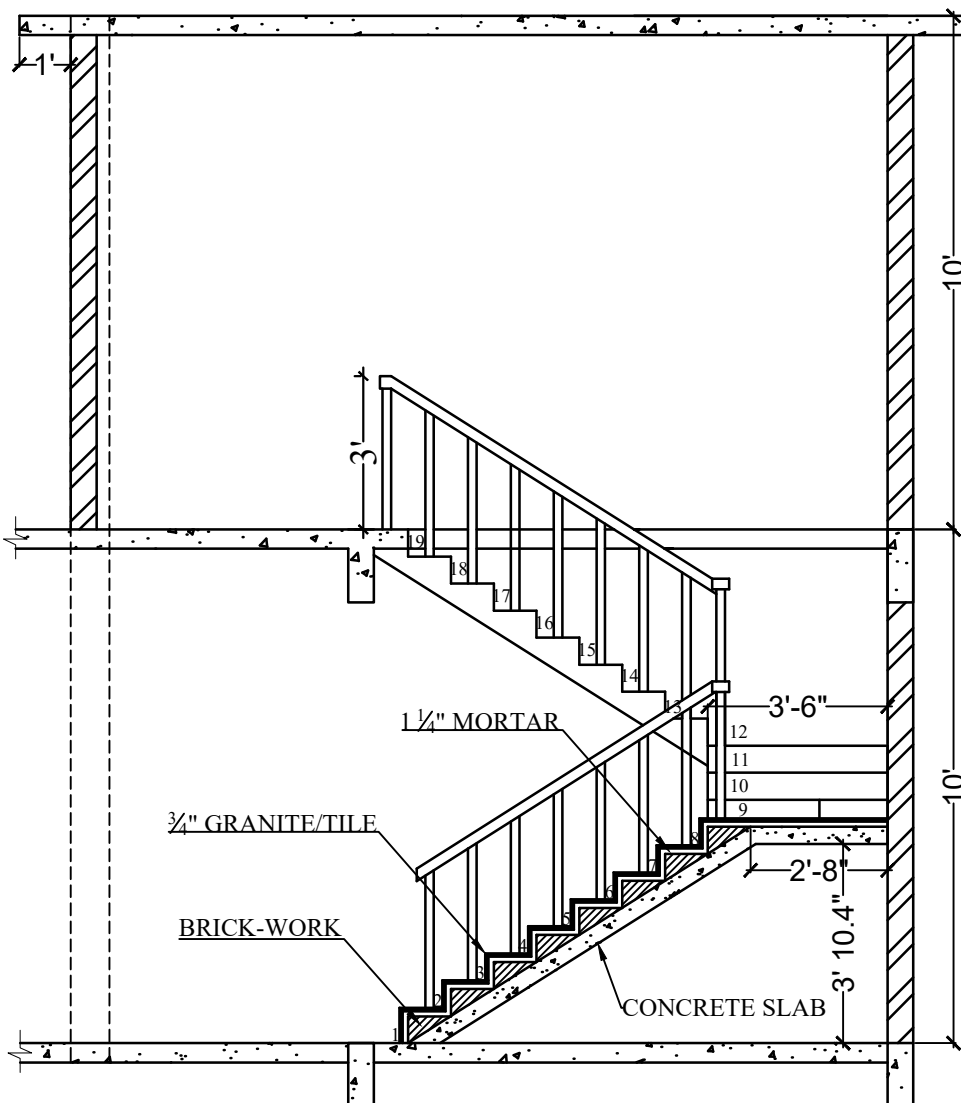
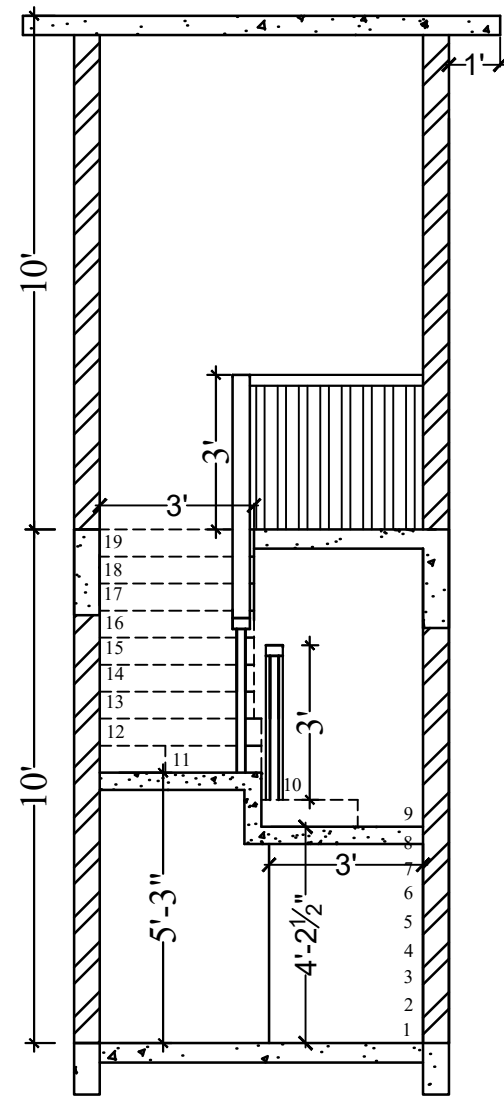


RISER HEIGHT - 6.3"	NO. OF RISERS - 19
TREAD WIDTH - 10"	NO. OF TREADS - 18
RAILING HEIGHT - 3'	



SECTION @ AA'



SECTION @ BB'

Description	Direction	Owners & Developers :	Date :	11/01/2018	Architects	Promoted by
TYPE-A2 (SINGLE) STAIRCASE DETAILS	N	Modi Properties Pvt Ltd.	Prepared By :	Madhav	Architectural Associates 8-1-385, R.P.Road, Secunderabad-3 s.bashanandagari@hotmail.com	Modi Properties Pvt. Ltd. Phone:+91-40-66335551
		Project Name & Phase :	Approved By :	Soham Modi		
		MIRYALAGUDA	Scale :	N.T.S		