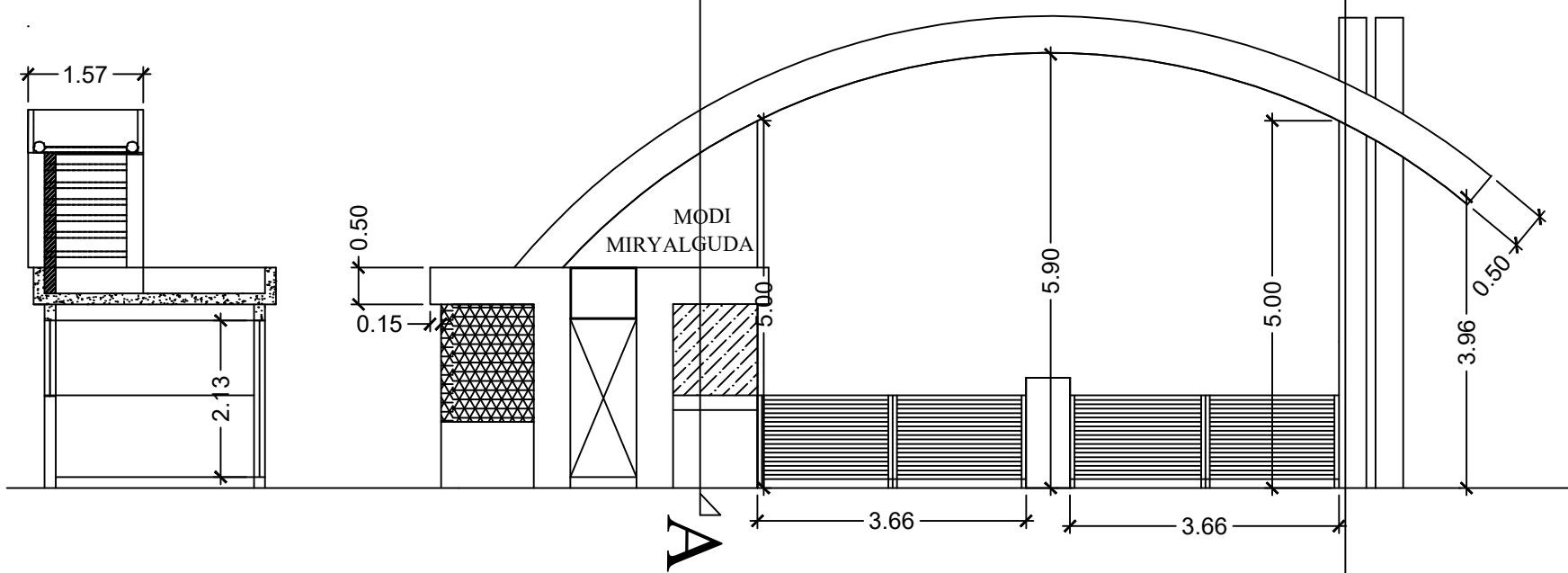
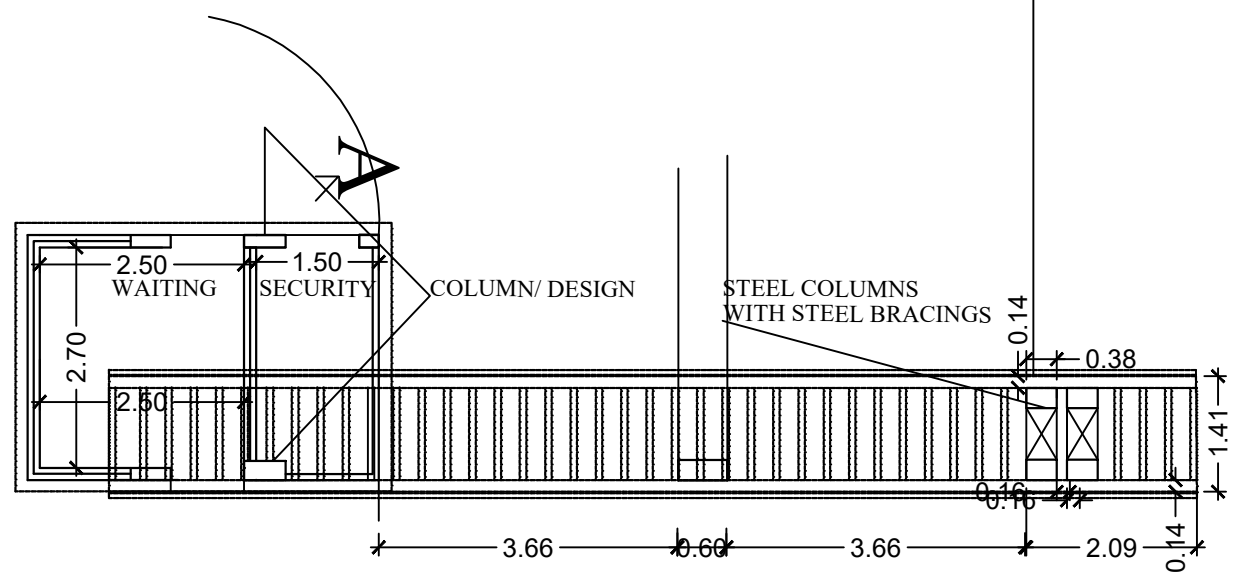


PLAN



SECTION A-A

ELEVATION



PLAN WITH ARCH

ENTRANCE GATE PLAN  
miryalguda

ARCHITECTS

ARCHITECTURAL ASSOCITES  
8-1-383 RP ROAD  
SECUNDERABAD