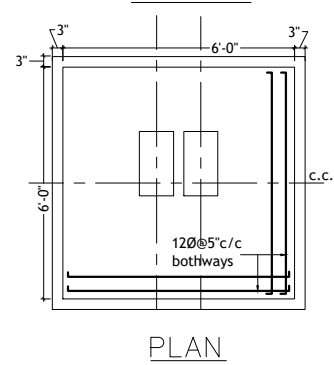
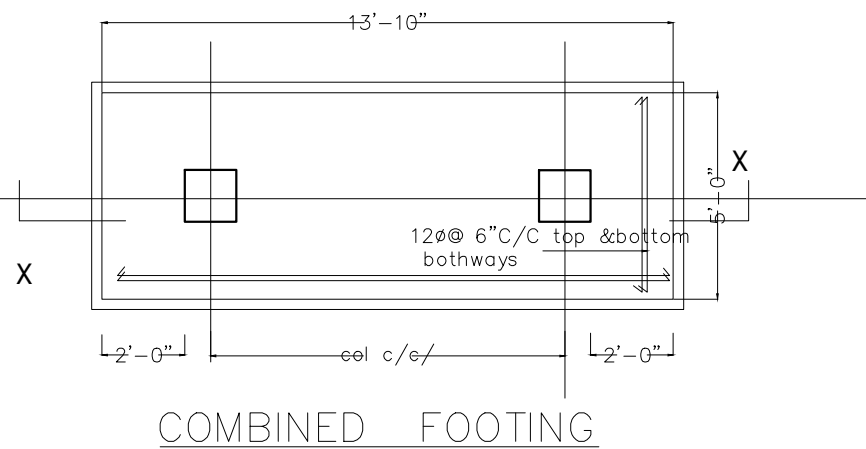
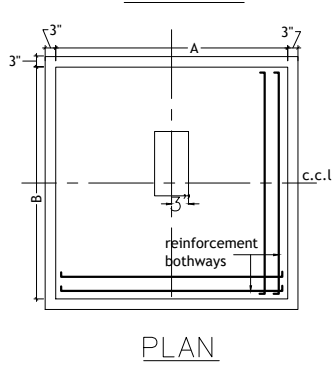
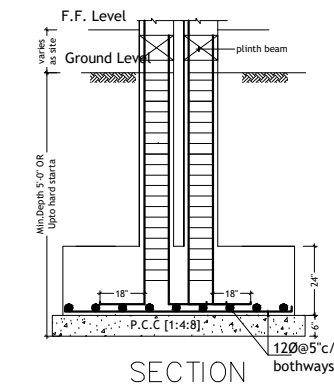
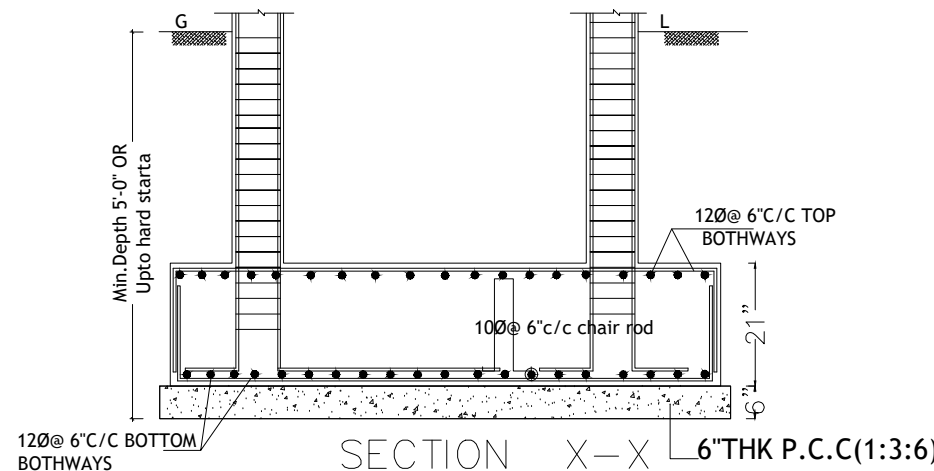
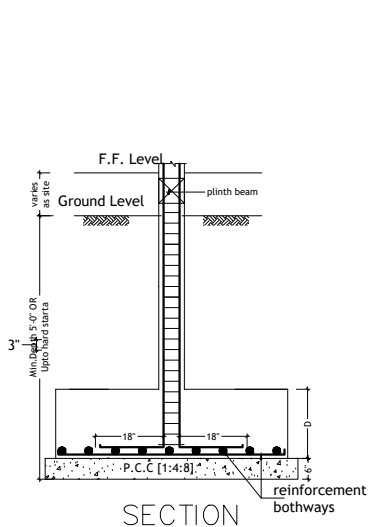


COLUMN DETAIL'S					FOOTING DETAIL'S				
Type	Mix	Size	Section	Reinforcement	Type	A	B	D	Reinforcement
C1	M 25	24"X9"		#10No-12Ø #8Ø@8"c/c	F1	5'-0"	5'-0"	18"	#10Ø@5"c/c
					F2	6'-0"	6'-0"	24"	#12Ø@5"c/c bothways (top&bottom)
C2	M 25	15"X15"		#6No-20Ø #4No-16Ø #8Ø@8"c/c					
C3	M 25	12"X24"		#10No-20Ø #8Ø@8"c/c					

- General Notes :--
1. Use M25 (1:1:2) grade for columns & M20 (1:1.5:3) for footings, slab & Beams
 2. Use FE 500 grade tor steel.
 3. Provide clear cover of 2" for footings & 1.5" for columns.
 4. S.B.C of the Soil is taken as 200kn/m2.
 5. Provide clear cover of 1"for beams
 6. All loose pockets should be filled by p.c.c (1:2:4).
 7. Rock foundation should have anchor rods in the rock .



FOOTING DETAILS

COMBINED FOOTING

FOOTING DETAILS

DESCRIPTION	DATE

FOR REFERENCE

Client: MODI PROPERTIES & INVESTMENTS PVT.LTD

Project: MIRYALGUDA - ENTRENCE ATCH

STRUCTURAL CONSULTANT: **KULKARNI CONSULTANT'S**
STRUCTURAL ENGINEERS, ARCHITECTS & PROJECT CONSULTANT'S
#216, KUBERA TOWER'S, NARAYAN GUDA, HYDERABAD.
CONTACT NO'S:- 04023223891, 09246343724, 09246343720.

DATE	8-11-2017	TITLE: COLUMN & FOOTING DETAILS	DWG. NO. KC/MG/SD/1	REV. No. 1
DEALT BY	PAWAN			
DESIGN BY	SANTOSH			
CHECKED & APPROVED	KULKARNI			

PRODUCED BY AN AUTODESK STUDENT VERSION

PRODUCED BY AN AUTODESK STUDENT VERSION