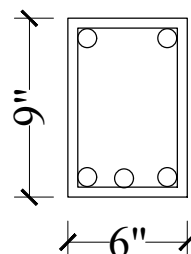
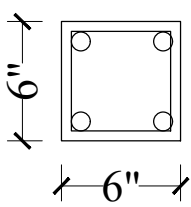
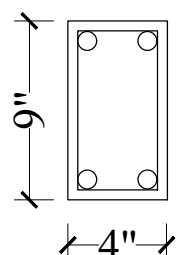
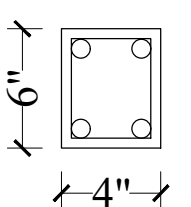
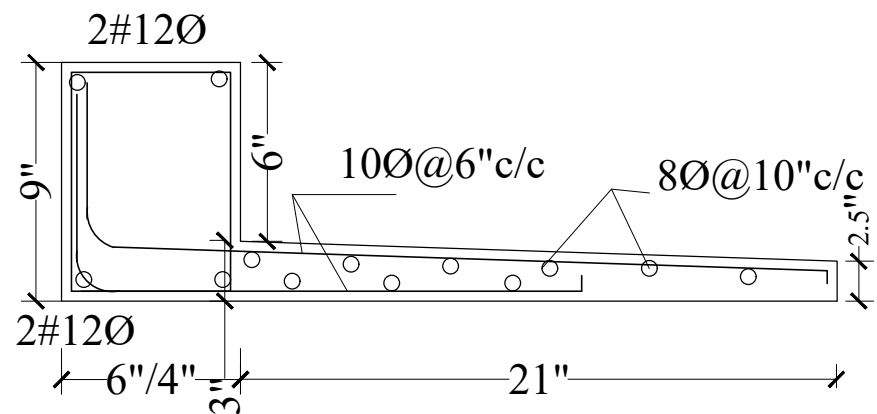


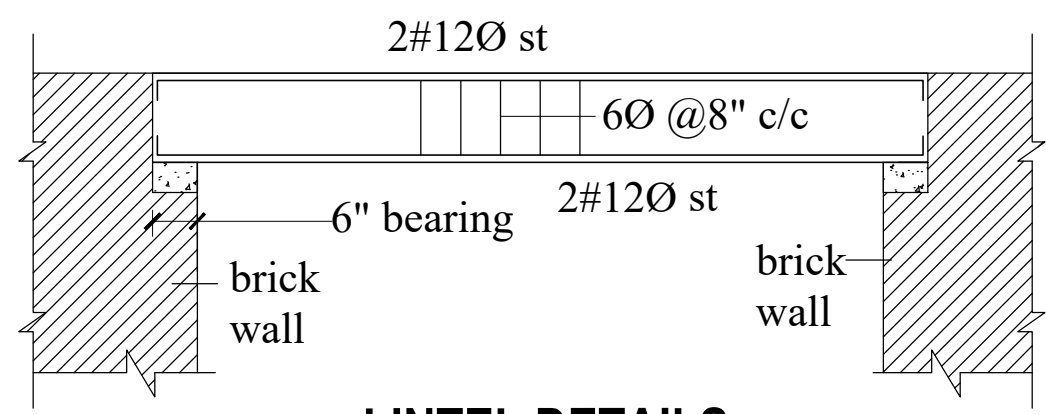
# LINTEL DETAILS

WINDOW / DOOR SIZE	LINTEL SIZE	SECTION
4'-0" to 6'-0"	6" X 9"	 <p>2# 12 Øst 6Ø @8" c/c 3# 12 Øst</p>
3'-0" to 4'-0"	6" X 6"	 <p>2# 12 Øst 6Ø @8" c/c 2# 12 Øst</p>
3'-0" to 4'-0"	4" X 9"	 <p>2# 12 Øst 6Ø @8" c/c 2# 12 Øst</p>
2'-6" to 3'-0"	4" X 6"	 <p>2# 12 Øst 6Ø @8" c/c 2# 12 Øst</p>

- General Notes :-**
1. Use M20 (1:1.5:3) for slab & Beams
  2. Use FE 500 grade tor steel.
  3. Provide clear cover of 1" for beams  $\frac{3}{4}$ " slab
  4. Read horizontal beam from left to right & vertical beam from bottom to top.
  5. crank +ve bars at L/4 th of span & extend -ve bars L/5 th of span.
  6. Do not over lap bottom rods at center and top rods at support.





**CHAJJA DETAIL**



**LINTEL DETAILS**

DESCRIPTION	DATE



Client	MODI PROPERTIES & INVESTMENTS PVT.LTD
Project	MIRYALGUDA - ( 3 / 2 BHK )
Architects	 <b>Architectural Associates</b> ARCHITECTS & INTERIOR DESIGNERS 8-1-383, R. P. Road, Secunderabad-3 subashanandsagar@hotmail.com
STRUCTURAL CONSULTANT	 <b>KULKARNI CONSULTANT'S</b> STRUCTURAL ENGINEERS, ARCHITECTS & PROJECT CONSULTANT'S #216, KUBERA TOWER'S, NARAYAN GUDA, HYDERABAD. CONTACT NO'S:- 04023223891, 09246343724, 09246343720.

DATE	19-12-2017	TYPE -	LINTELS DETAILS
DEALT BY	PAWAN		
DESIGN BY	SANTOSH	TITLE:	
CHECKED & APPROVED:	KULKARNI	DWG. NO.	KC/MG/SD/
			REV. No.