

PREFABRICATED SHEETS OF APPROVED QUALITY AND SCREWED TO THE FRAMED STRUCTURE.

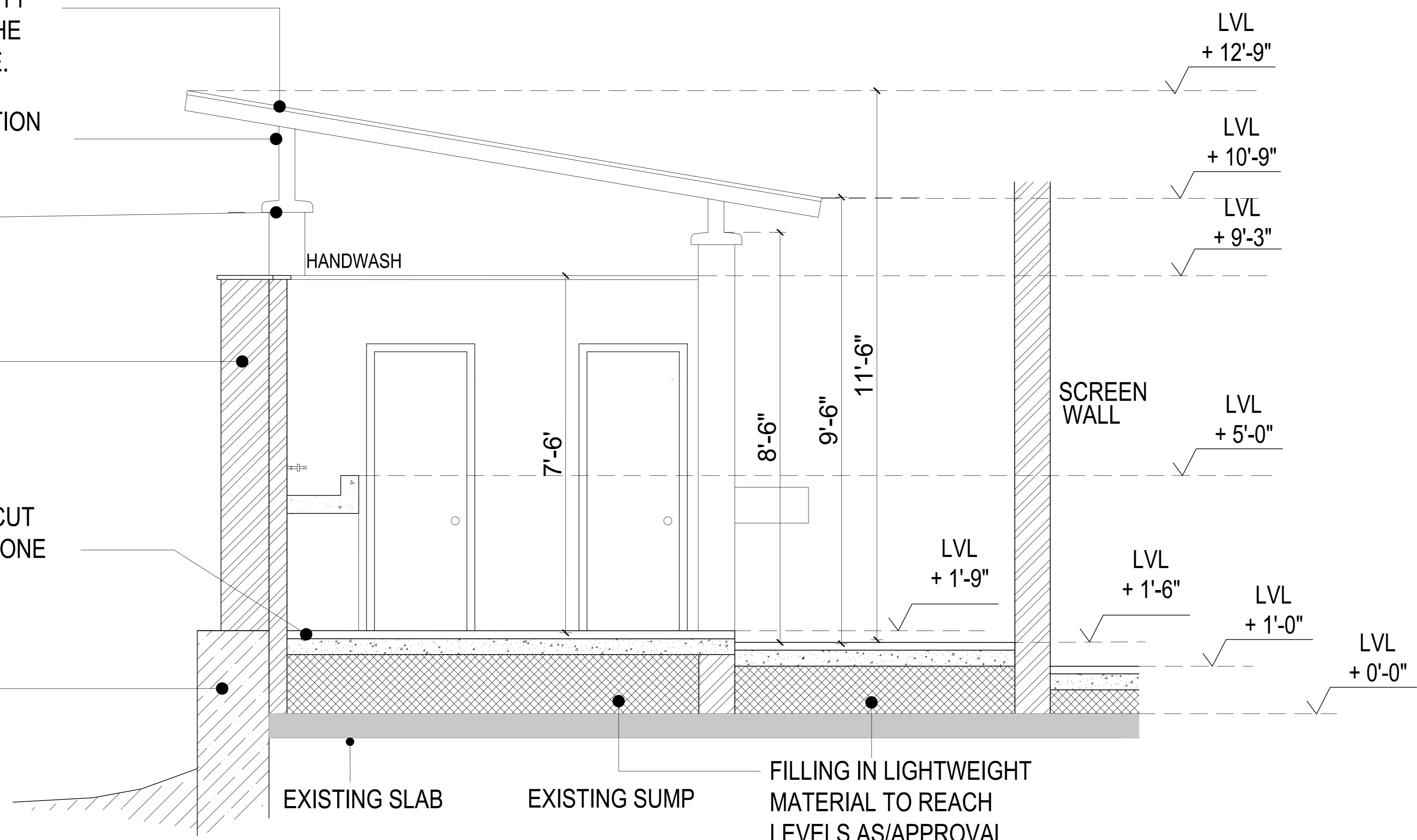
2" X 4" M.S. BOX SECTION OF THK GAUGE

STOP BRICK WORK HERE

EXISTING BOUNDARY WALL RAISED AS / REQ

2' X 2' X 2" MACHINE CUT ROUGH TANDOOR STONE LAID AS PER DESIGN

FOUNDATION AS EXISTING



SECTION AT D

OF APPROVED QUALITY AND SCREWED TO THE FRAMED STRUCTURE.

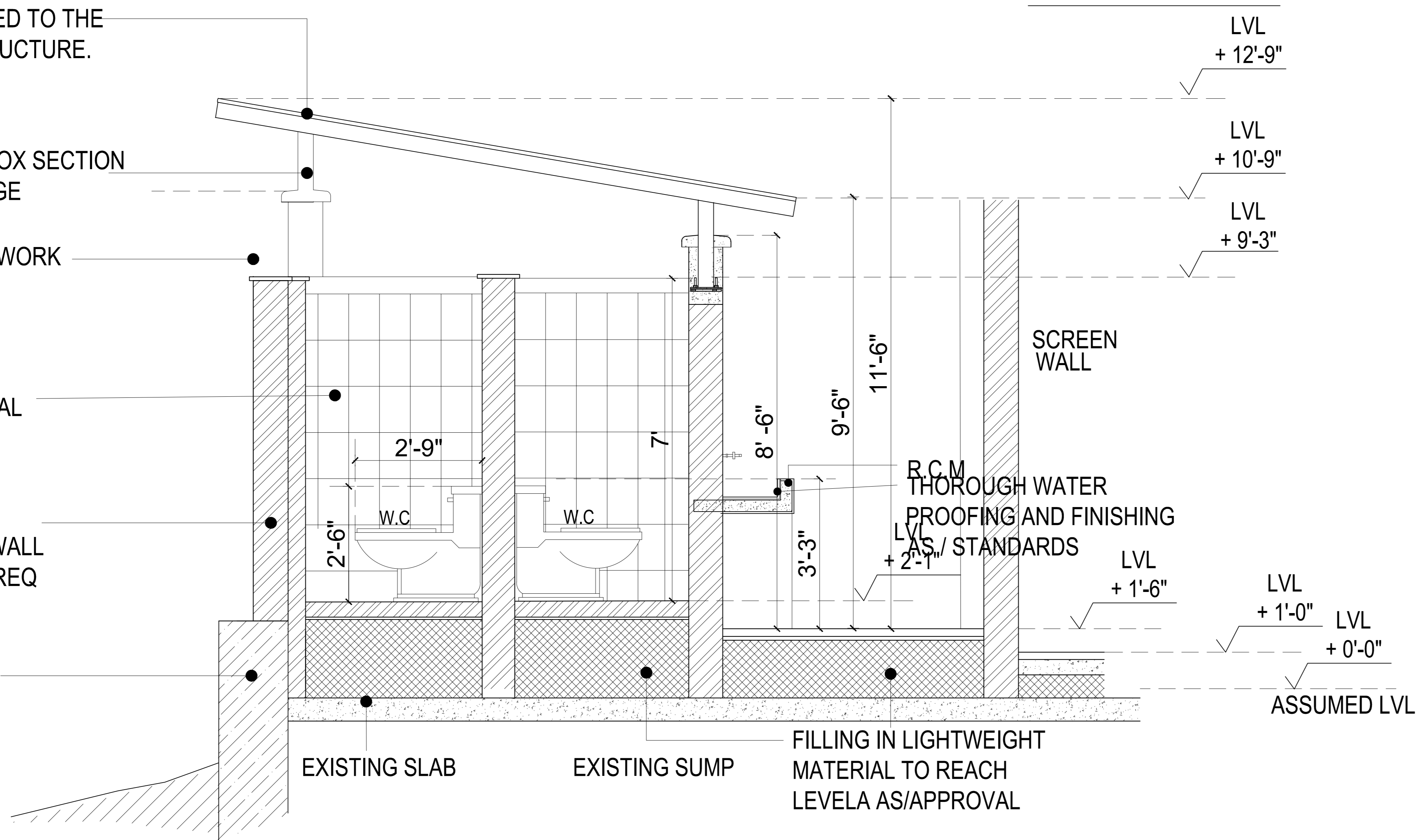
2" X 4" M.S. BOX SECTION OF THK GAUGE

STOP BRICK WORK HERE

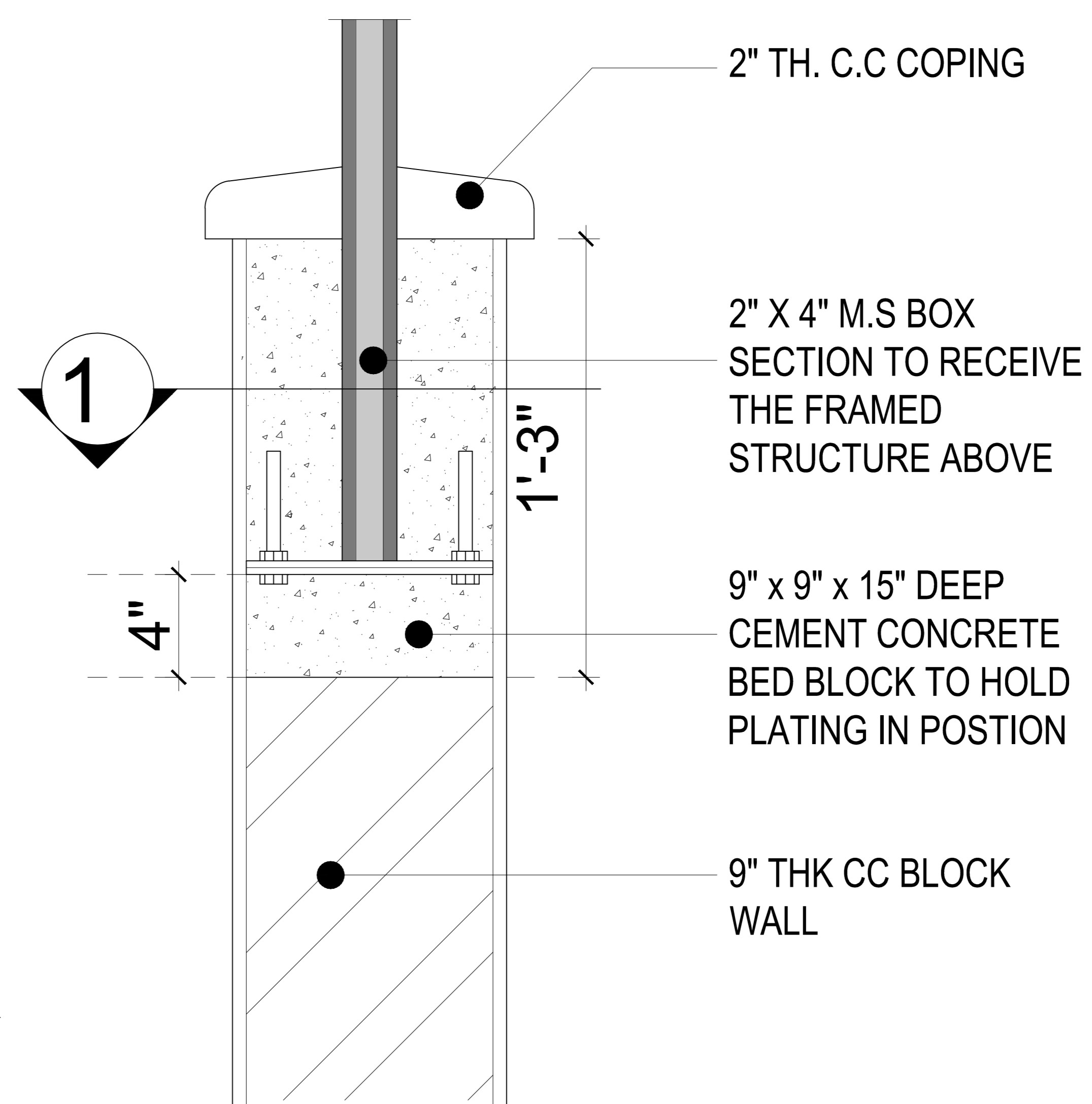
DADOING AS / APPROVAL

EXISTING BOUNDARY WALL RAISED AS / REQ

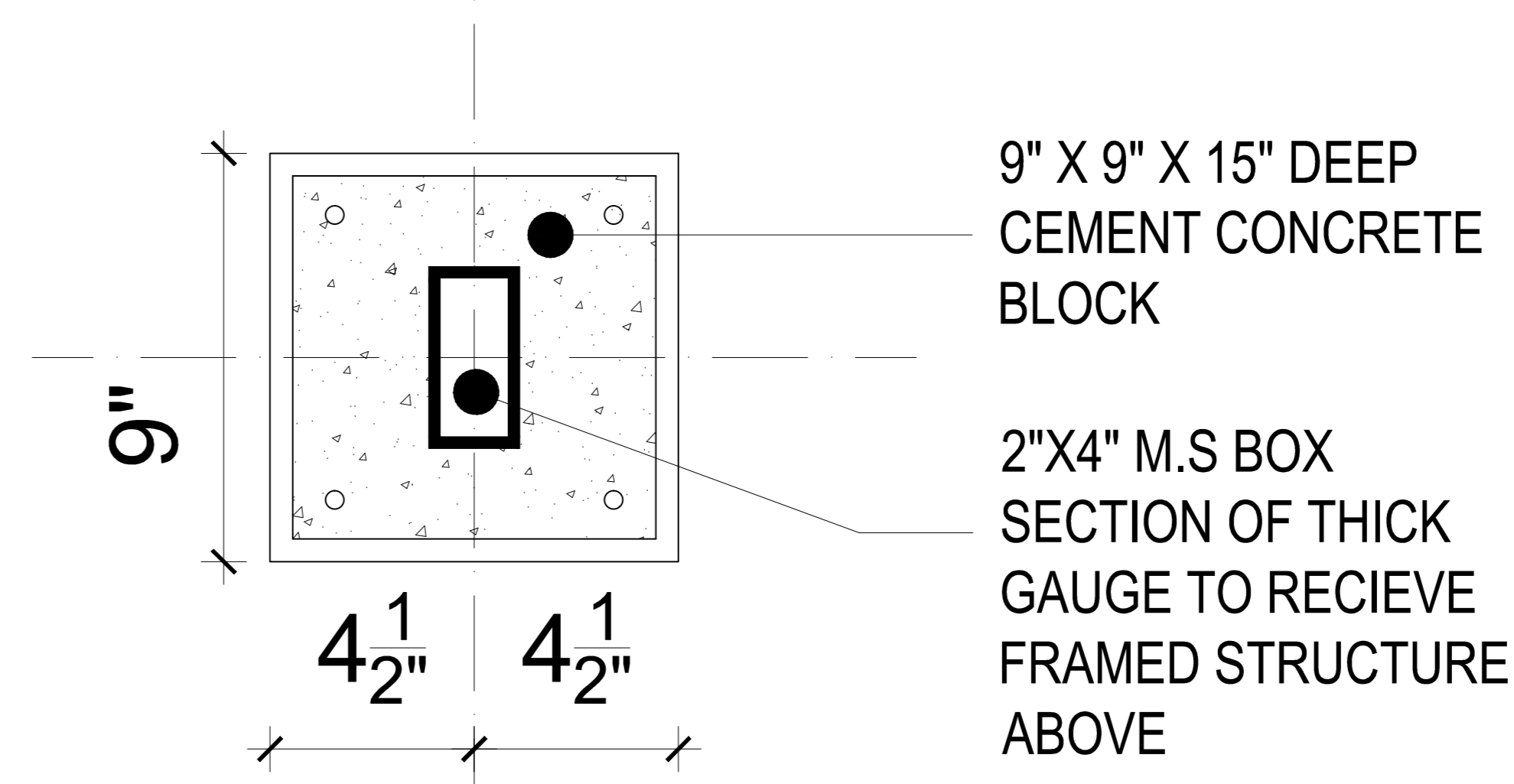
FOUNDATION AS EXISTING



SECTION AT E



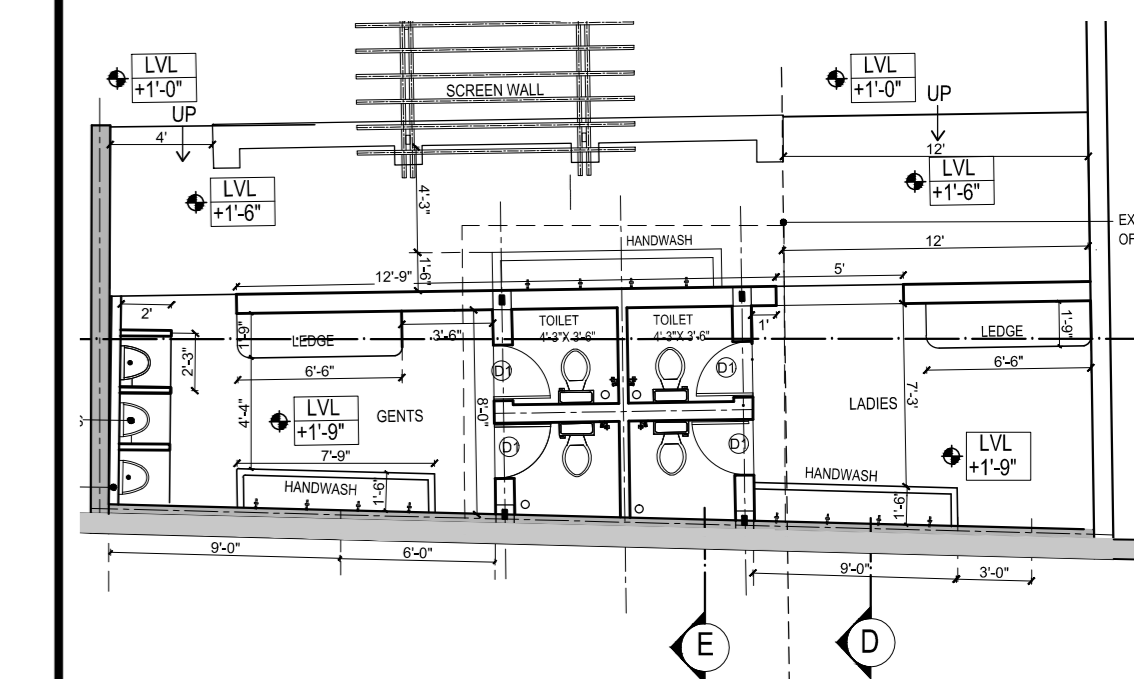
DETAIL AT CC



SECTION AT 1

- NOTES:
1. THIS DRAWING IS THE PROPERTY OF THE ARCHITECTS AND SHALL NOT BE COPIED WITHOUT PRIOR PERMISSION.
 2. DISCREPANCIES FOUND IN THE DRAWING SHALL BE BROUGHT TO THE ARCHITECT'S NOTICE IMMEDIATELY.
 3. DRAWINGS SHALL BE READ AND SHOULD NOT BE SCALED.
 4. ALL DIMENSIONS ARE IN MILLIMETERS UNLESS MENTIONED.
 5. THIS DRAWING SHALL BE READ WITH OTHER RELEVANT DRAWINGS SUCH AS STRUCTURAL, MEP, ETC.

KEY PLAN:



4			
3			
2			
1			

Rev. No.	Description of Revision	Date	By

PROJECT:

MAY FLOWER GRANDE
HYDERABAD

ARCHITECTS:
NARSIMHAM ASSOCIATES
22, Lepakshi Colony,
West Maredpally, Secunderabad - 500026

TITLE:
CLUB AREA TOILETS -SECTIONS

North	Date	Scale
	17.02.17	NTS
Dwg. No.	Dealt	Sr.Project Architect
	MFG /L/CA -239/R1	S.K
		Sr.Architect
		V.N

M/S: NARSIMHAM ASSOCIATES, HAS THE COPY RIGHTS OF THIS DOCUMENT, AND IT SHOULDNT BE USED BY ANYBODY WITHOUT THE WRITTEN PERMISSION OF THE ARCHITECT.