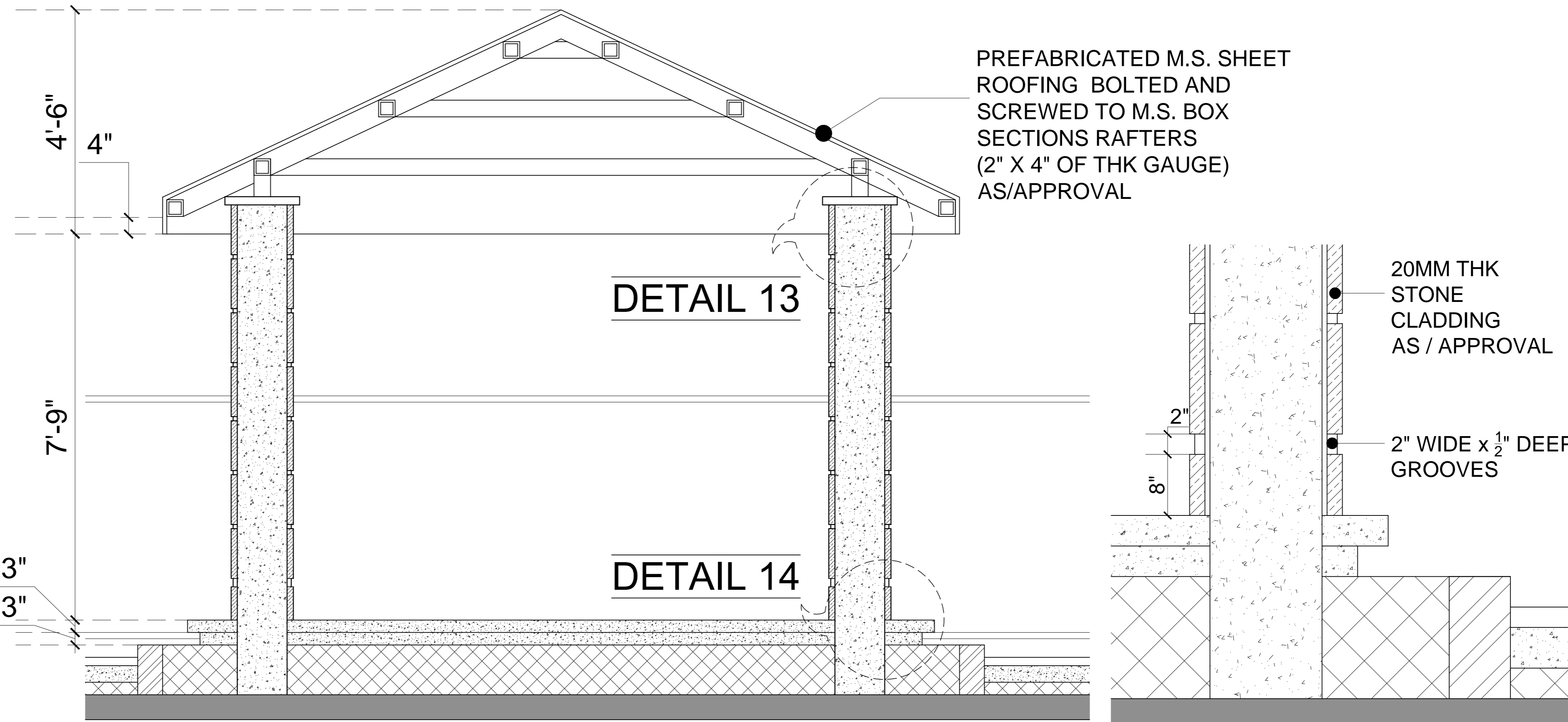
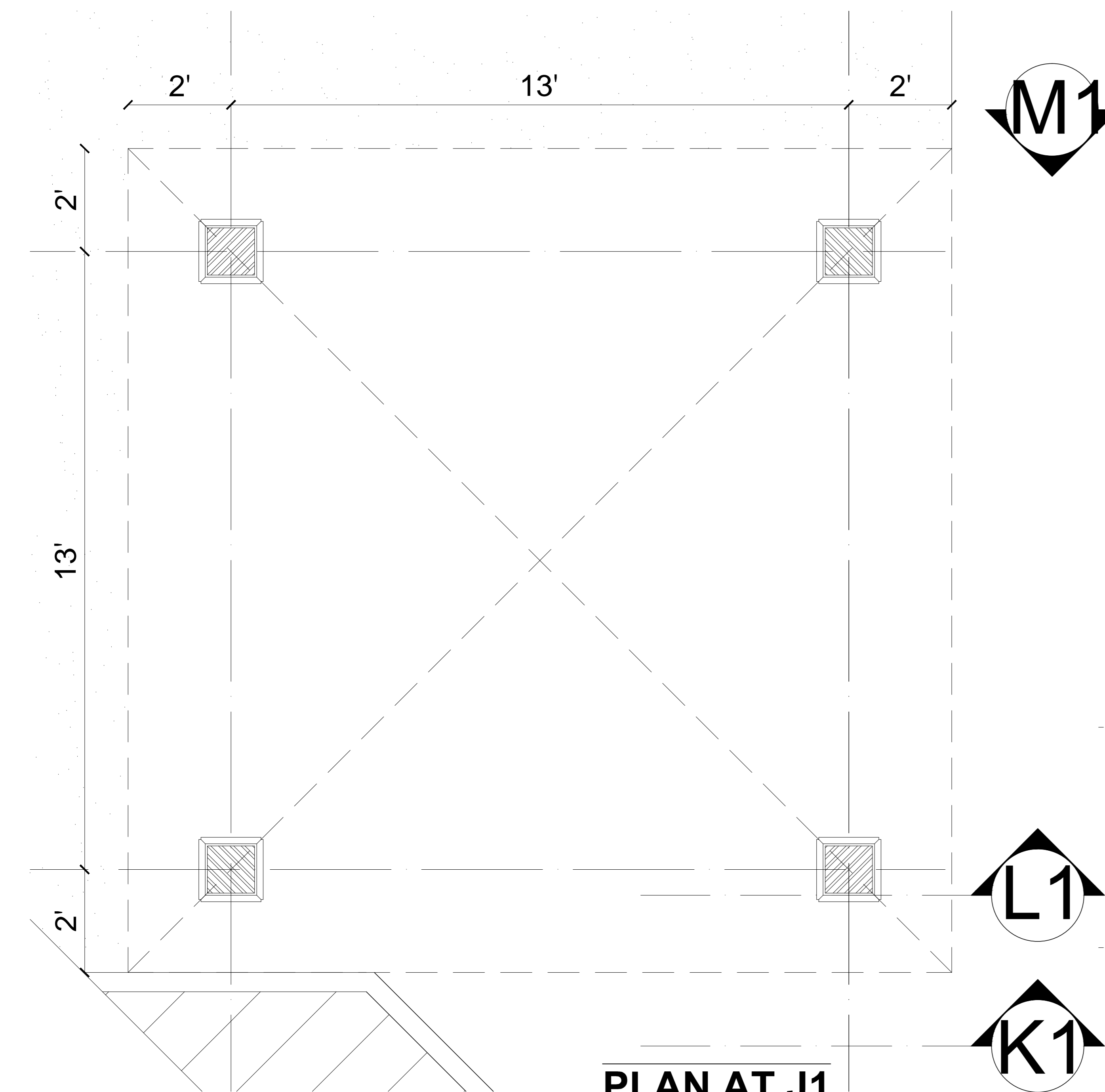


ELEVATION AT K1

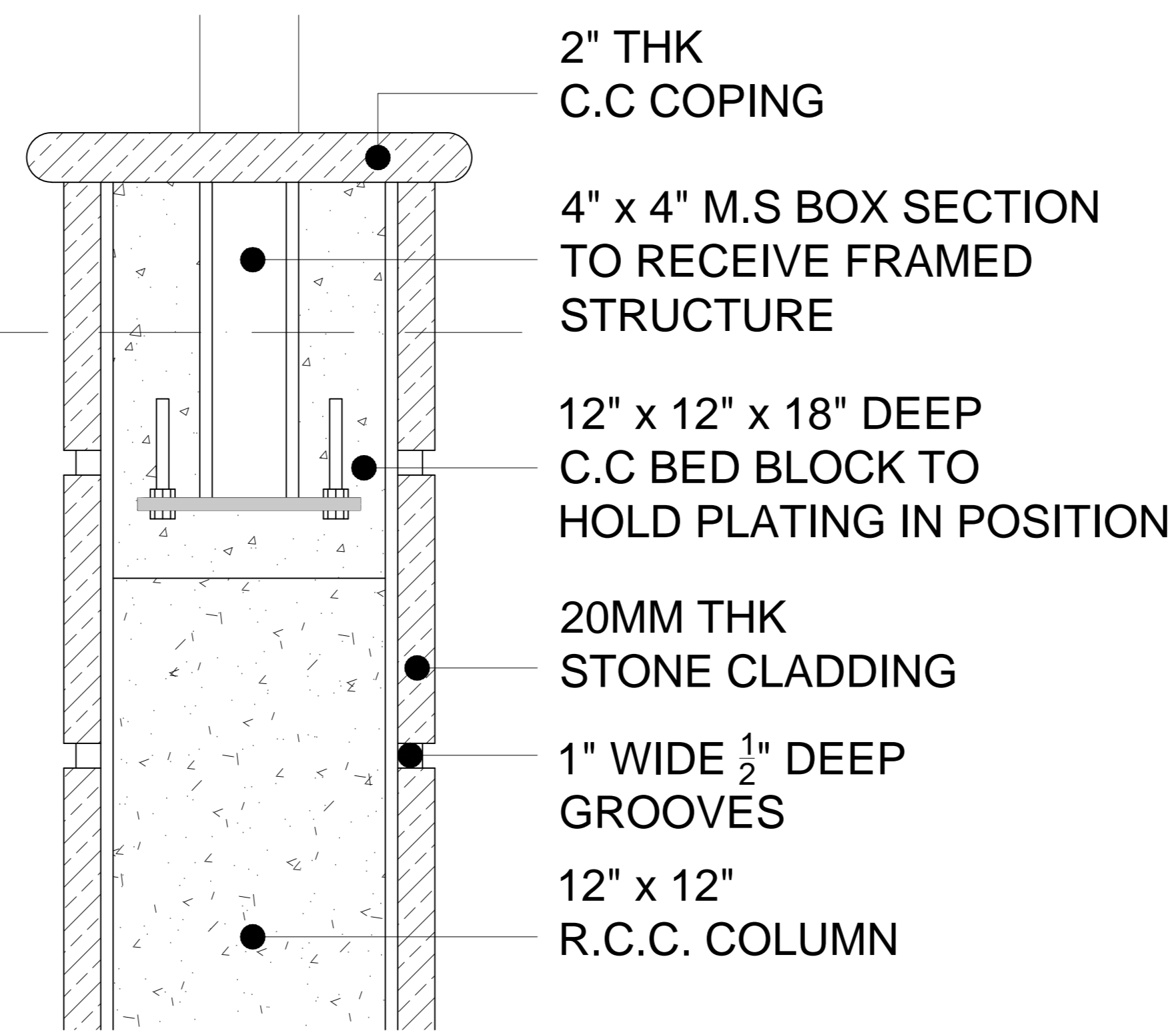


SECTION AT L1

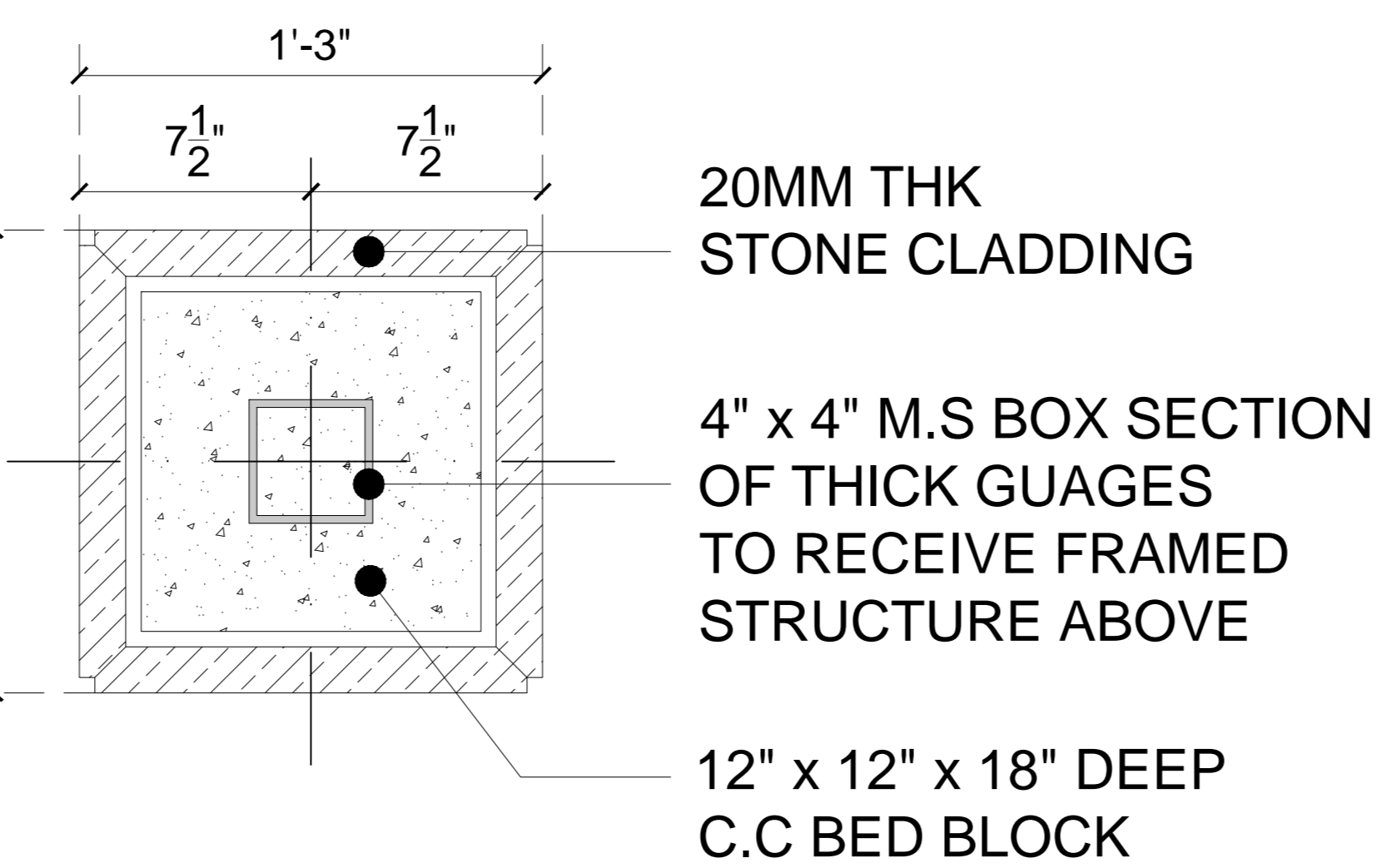
DETAIL 14



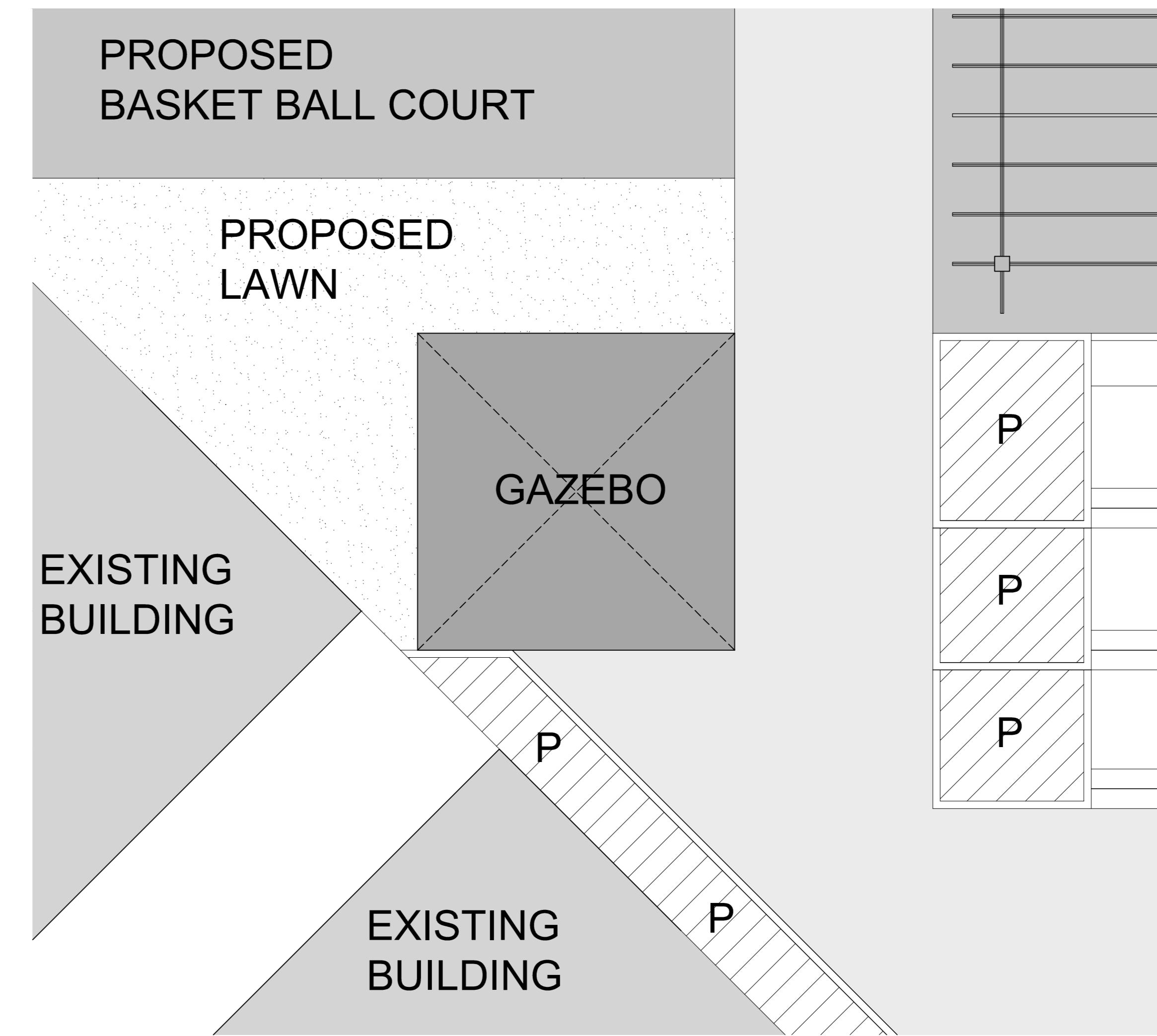
PLAN AT J1



DETAIL 13

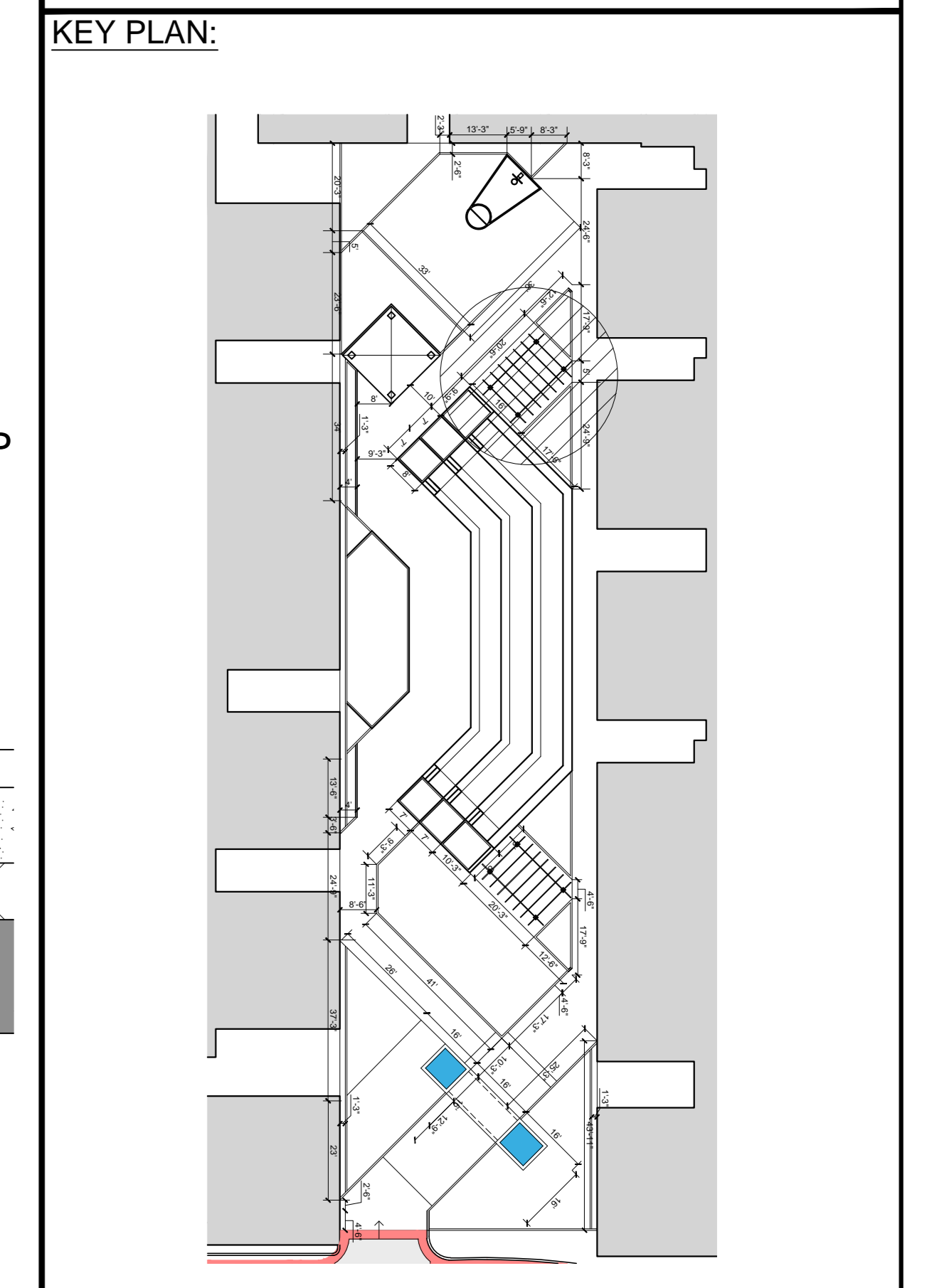


SECTION AT M1



KEY PLAN

NOTES:
 1. THIS DRAWING IS THE PROPERTY OF THE ARCHITECTS AND SHALL NOT BE COPIED WITHOUT PRIOR PERMISSION.
 2. DISCREPANCIES FOUND IN THE DRAWING SHALL BE BROUGHT TO THE ARCHITECT'S NOTICE IMMEDIATELY.
 3. DRAWINGS SHALL BE READ AND SHOULD NOT BE SCALED.
 4. ALL DIMENSIONS ARE IN MILLIMETERS UNLESS MENTIONED.
 5. THIS DRAWING SHALL BE READ WITH OTHER RELEVANT DRAWINGS SUCH AS STRUCTURAL, MEP, ETC.



| 4 | | | |
|----------|-------------------------|------|----|
| 3 | | | |
| 2 | | | |
| 1 | | | |
| Rev. No. | Description of Revision | Date | By |

PROJECT:
MAY FLOWER GRANDE
 HYDERABAD

ARCHITECTS:
NARSIMHAM ASSOCIATES
 22, Lepakshi Colony,
 West Maredpally, Secunderabad - 500026

TITLE:
PROPOSED GAZEBO DETAILS

| | | |
|--------------------------------|-----------------|-----------------------------|
| North | Date MAY '17 | Scale NTS |
| | Dealt K.C | Sr.Project Architect S.K |
| Dwg. No. MFG / L - PV - 202 | | Sr.Architect V.N |

M/s. NARSIMHAM ASSOCIATES, HAS THE COPY RIGHTS OF THIS DOCUMENT, AND IT SHOULDN'T BE USED BY ANYBODY WITHOUT THE WRITTEN PERMISSION OF THE ARCHITECT.