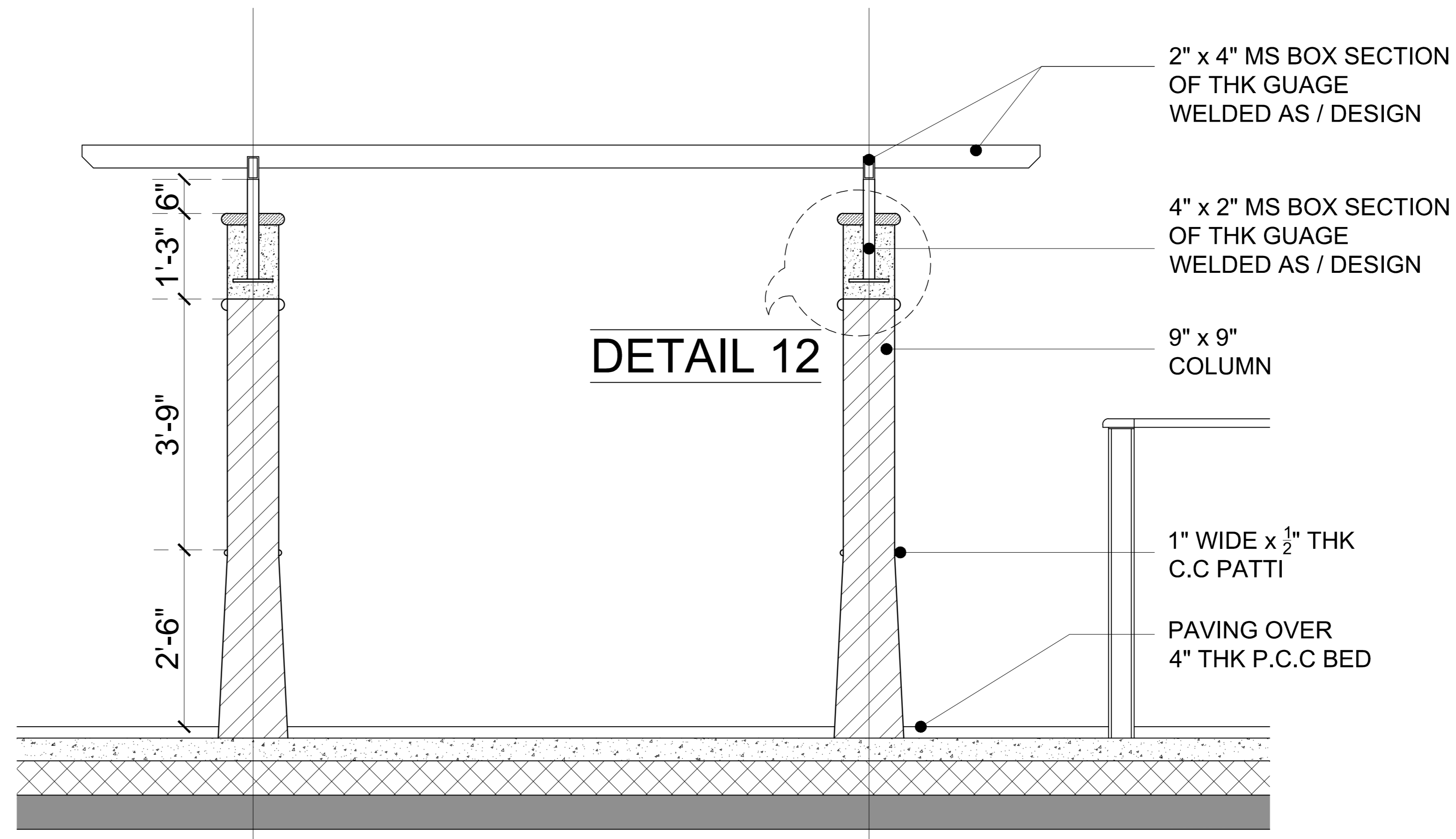
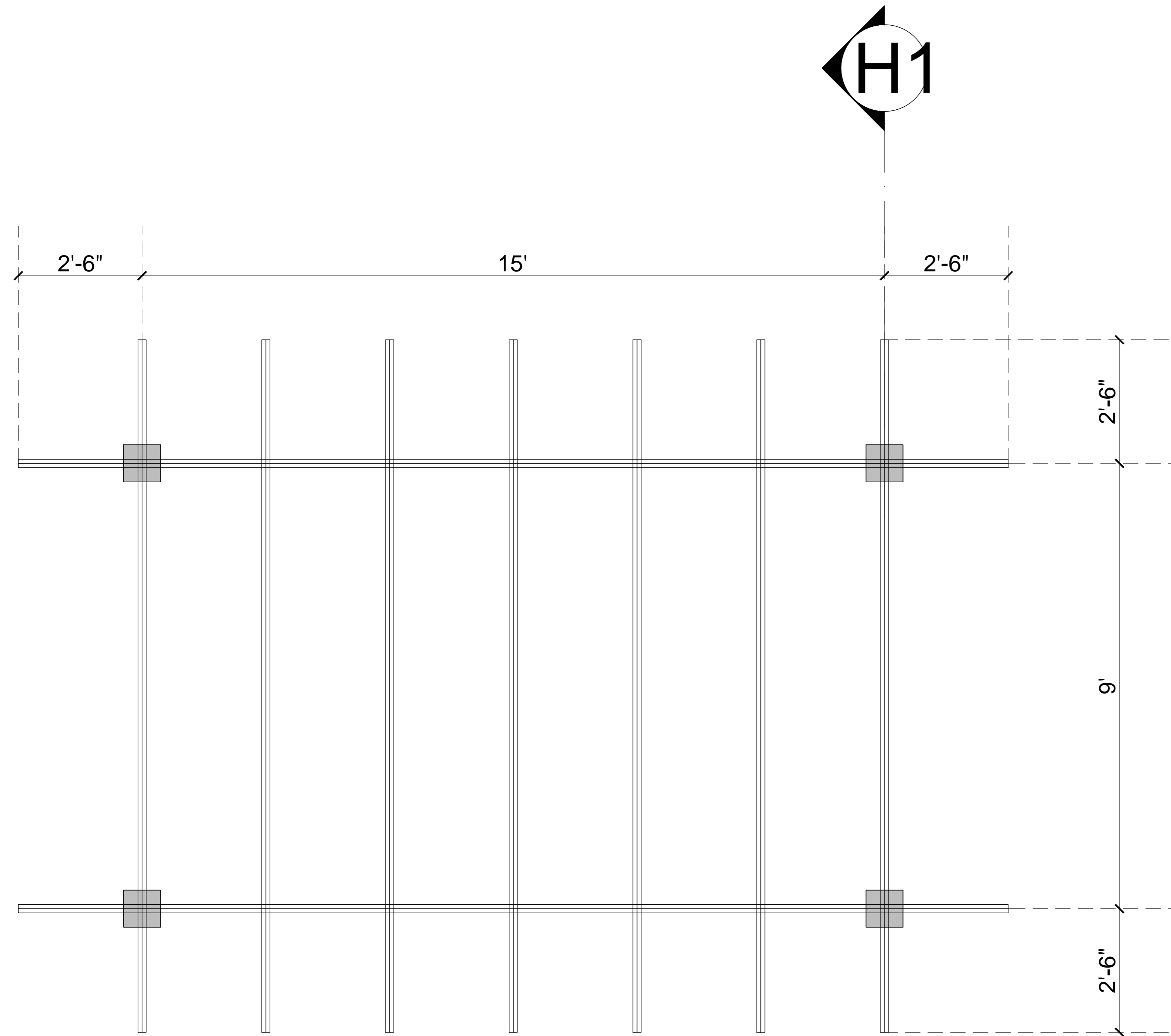


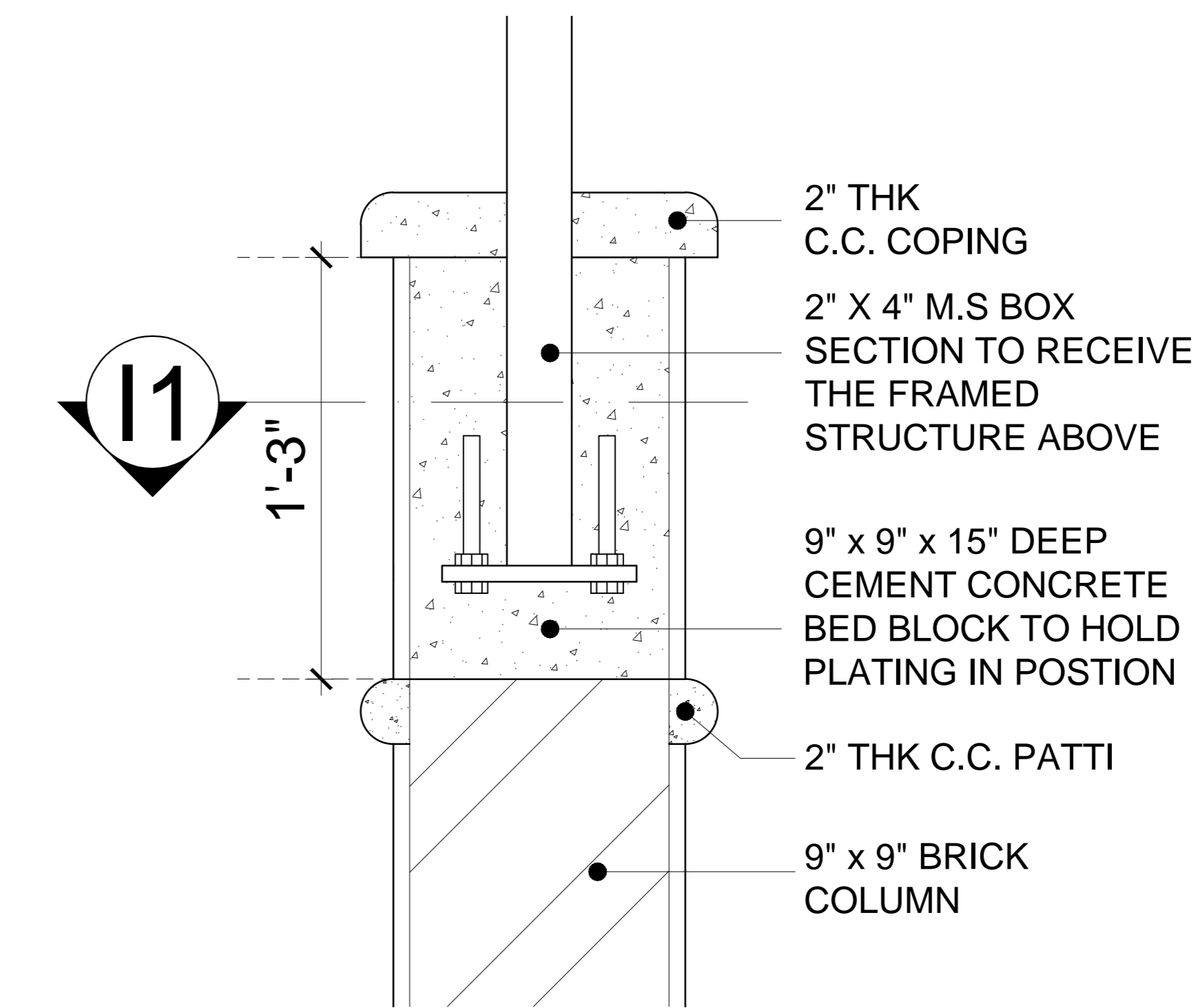
**ELEVATION AT G1**



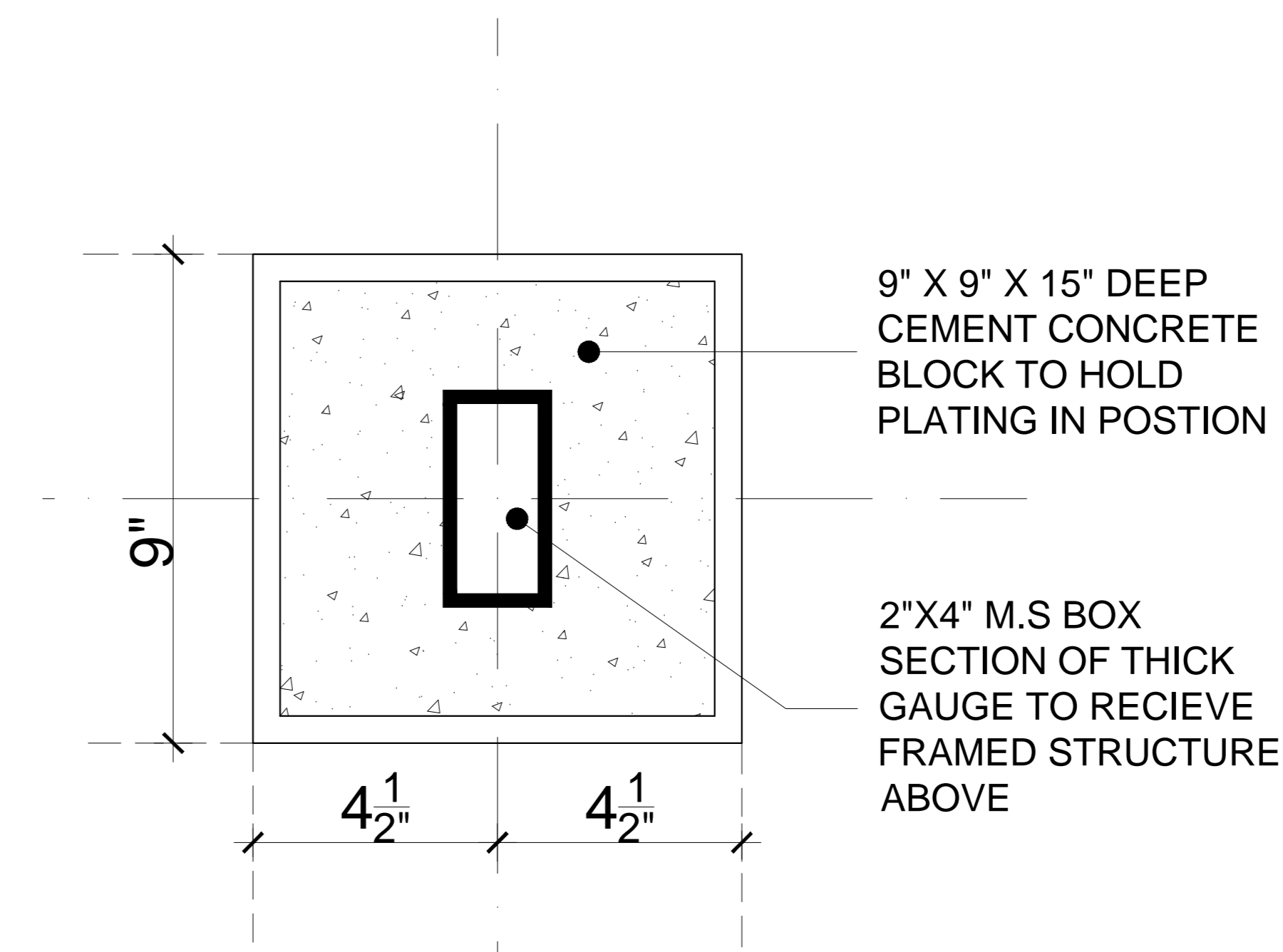
**SECTION AT H1**



**PLAN AT F1**



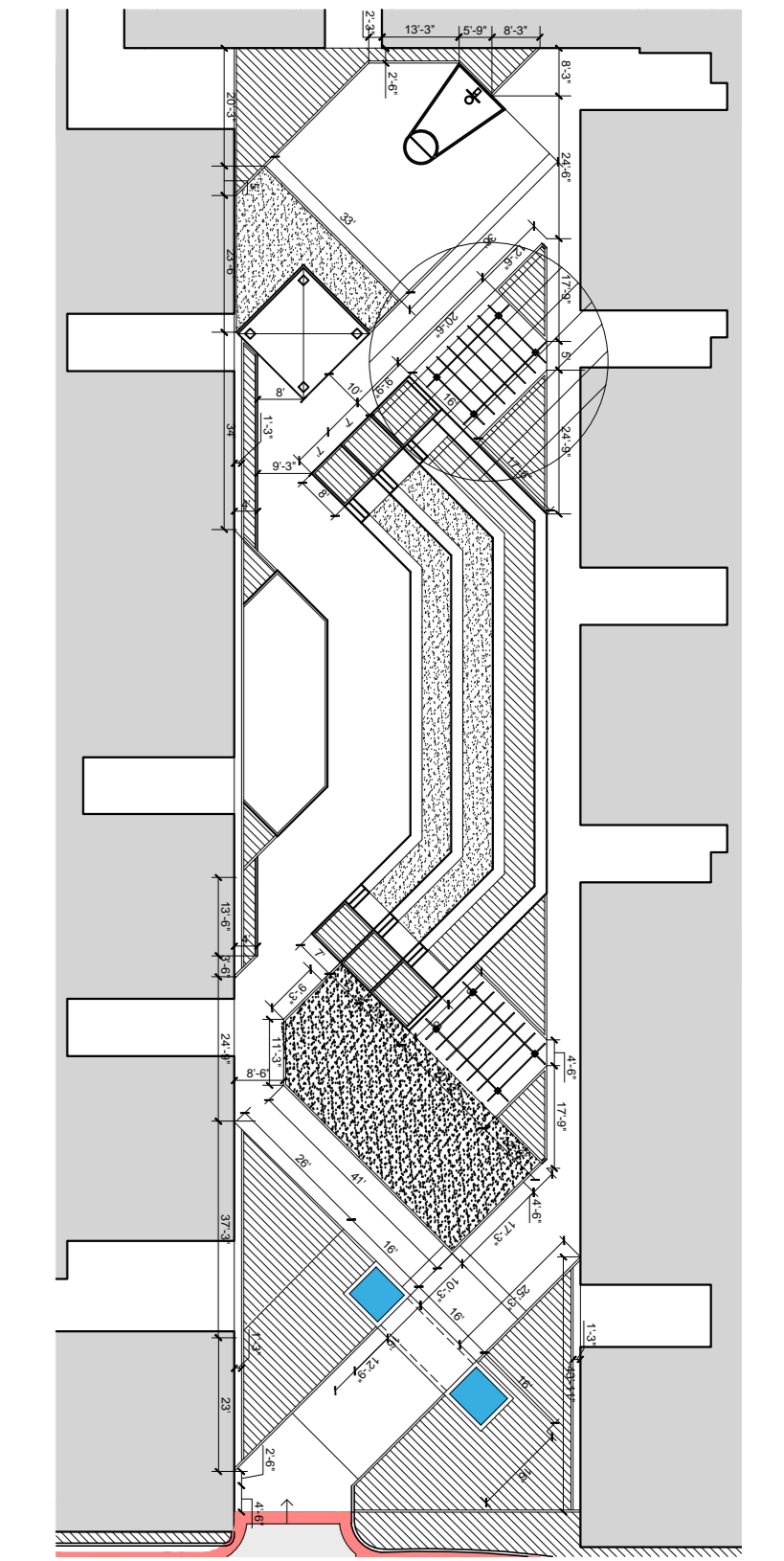
**DETAIL 12**



**SECTION AT I1**

- NOTES:**
1. THIS DRAWING IS THE PROPERTY OF THE ARCHITECTS AND SHALL NOT BE COPIED WITHOUT PRIOR PERMISSION.
  2. DISCREPANCIES FOUND IN THE DRAWING SHALL BE BROUGHT TO THE ARCHITECT'S NOTICE IMMEDIATELY.
  3. DRAWINGS SHALL BE READ AND SHOULD NOT BE SCALED.
  4. ALL DIMENSIONS ARE IN MILLIMETERS UNLESS MENTIONED.
  5. THIS DRAWING SHALL BE READ WITH OTHER RELEVANT DRAWINGS SUCH AS STRUCTURAL, MEP, ETC.

**KEY PLAN:**



4			
3			
2			
1			

Rev. No.	Description of Revision	Date	By
----------	-------------------------	------	----

**PROJECT:**  
**MAY FLOWER GRANDE**  
 HYDERABAD

**ARCHITECTS:**  
**NARSIMHAM**  
 ASSOCIATES  
 22, Lepakshi Colony,  
 West Maredpally, Secunderabad - 500026

**TITLE:**  
**PROPOSED**  
**PERGOLA DETAILS**

North 	Date MAY '17	Scale NTS
	Dealt K.C	Sr. Project Architect S.K
Dwg. No. MFG / L - PV - 201	Sr. Architect V.N	

M/S. NARSIMHAM ASSOCIATES, HAS THE COPY RIGHTS OF THIS DOCUMENT, AND IT SHOULDNT BE USED BY ANYBODY WITHOUT THE WRITTEN PERMISSION OF THE ARCHITECT.