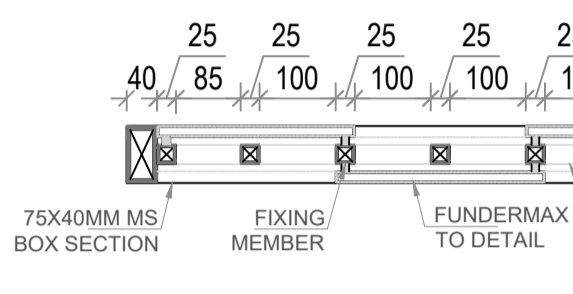
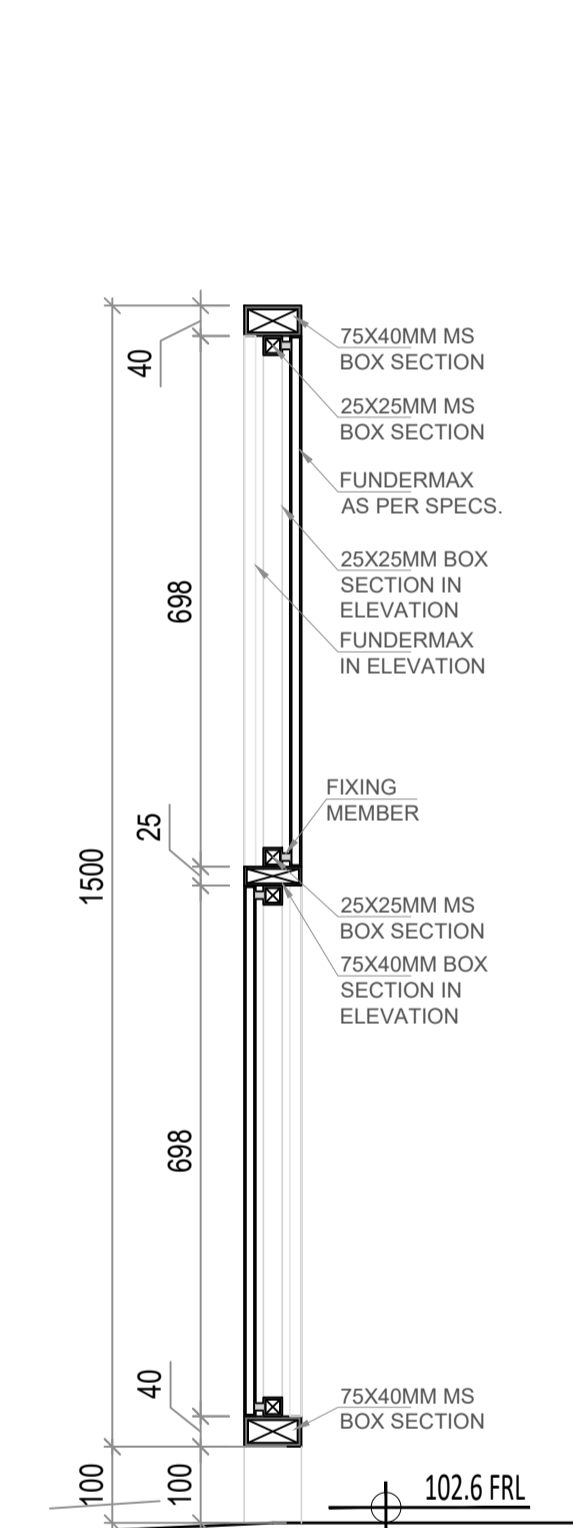


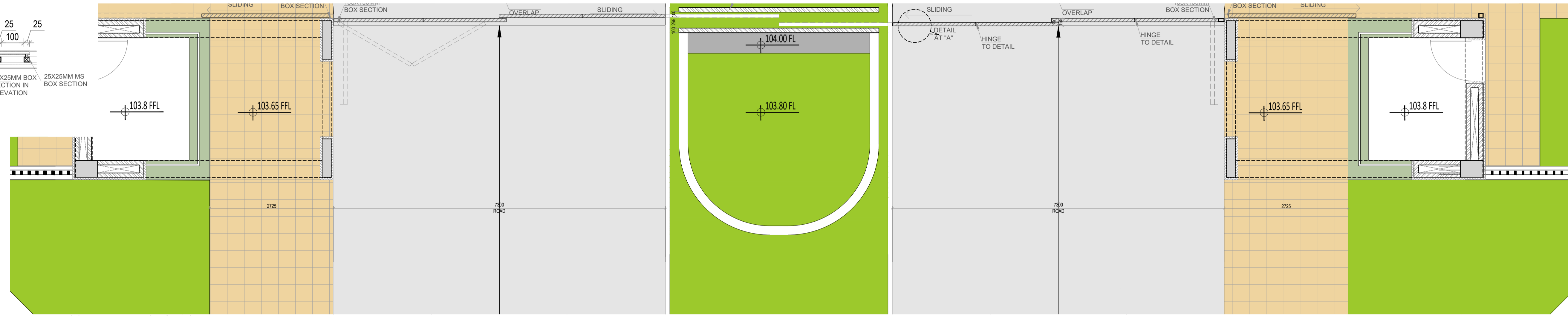
PART SITE PLAN
SCALE: 1:100



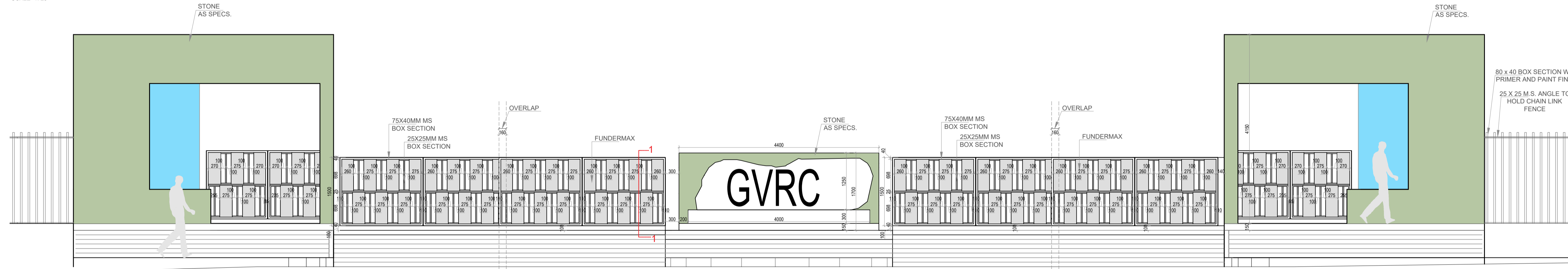
DETAIL AT A
SCALE: 1:5



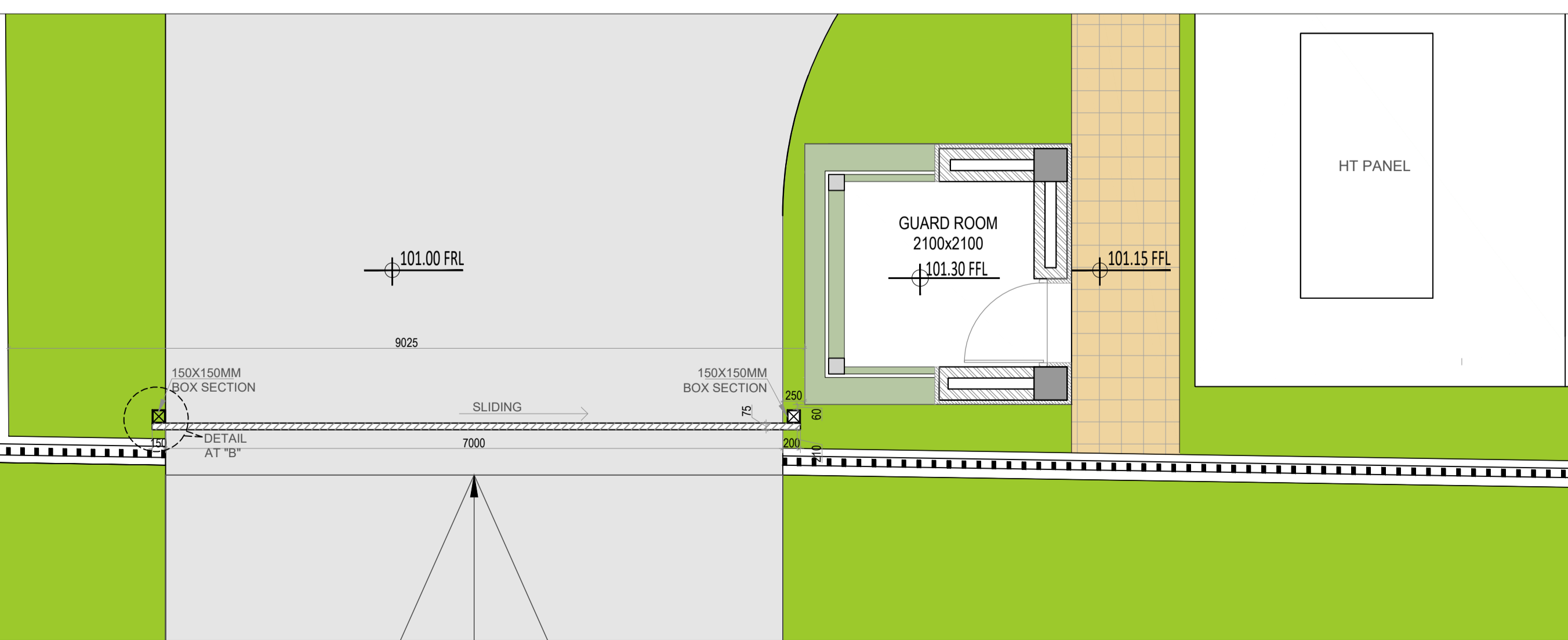
SECTION 1-1
SCALE: 1:5



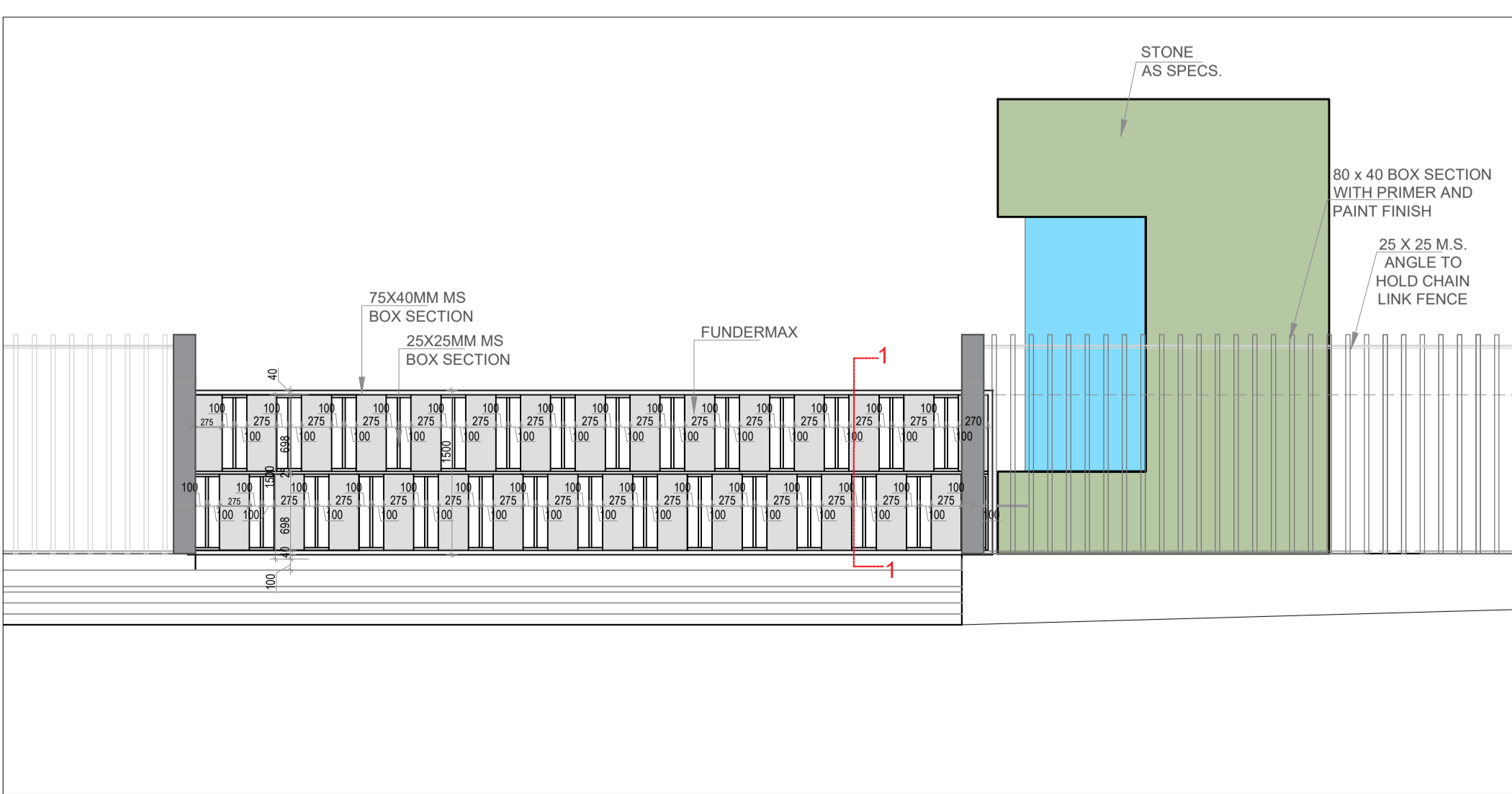
PART PLAN-1 (MAIN ENTRANCE GATE)
SCALE: 1:25



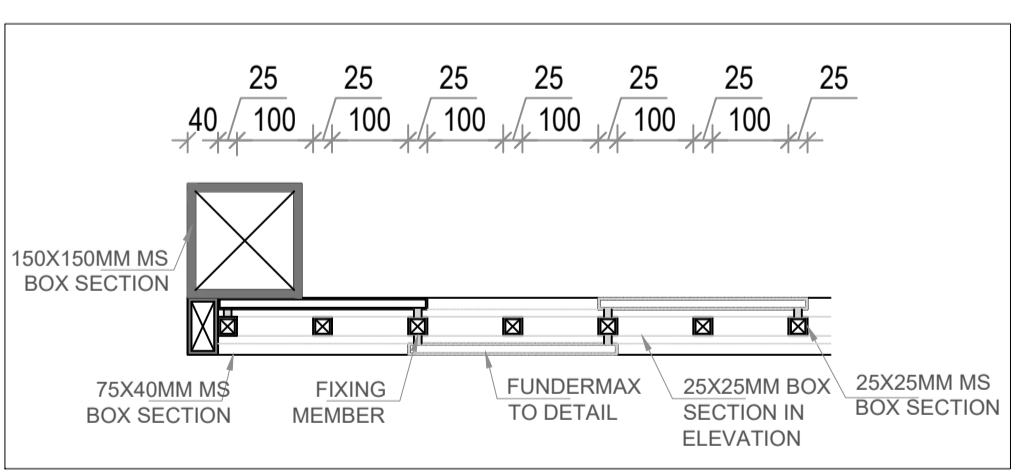
PART ELEVATION -1 (MAIN ENTRANCE GATE)
SCALE: 1:25



PART PLAN-2 (MATERIAL ENTRY GATE)
SCALE: 1:25



ELEVATION (MATERIAL ENTRY GATE)
SCALE: 1:25



DETAIL AT B
SCALE: 1:5

GENERAL NOTES:
 1. ALL WORKS TO BE COMPLETED WITHIN THE SPECIFIED TIME FRAME.
 2. THE CONTRACTOR SHALL BE RESPONSIBLE FOR OBTAINING ALL NECESSARY PERMITS AND APPROVALS FROM THE RELEVANT AUTHORITIES.
 3. THE CONTRACTOR SHALL MAINTAIN ACCESS TO ALL ADJACENT PROPERTIES AT ALL TIMES.
 4. ALL MATERIALS AND WORKMANSHIP SHALL BE SUBJECT TO INSPECTION AND APPROVAL BY THE ARCHITECT.

CLIENT:
GV RESEARCH CENTERS PVT LTD.
 Plot No. 3, Sy No 230 to 243
 Turbuck, Chennai

TECHNICAL ADVISOR
PRIME CONSULTANT

Koncepto
 Koncepto Architects International Private Limited
 2nd Floor, BMR Towers, 115, HP Avenue,
 600 016, Chennai, Bangalore - 560 100
 T: +91-84-4192078
 F: +91-84-4192078
 Email: marketing@koncepto.com
 www.koncepto.com
 1 North America | 1 Singapore | 1 China

ARCHITECT
Ma Architects Pvt. Ltd.
 4th Floor, Regency, Hyderabad
 Plot No. 1, Greenlands, Lakshmi Schemes,
 49, Eastern Main Road, Bangalore - 560 021
 Tel: 91 141 429999
 Email: maarchitects@gmail.com
 www.maarchitects.in

STRUCTURAL CONSULTANT
DIXONS CONSULTING ENGINEERS
 #7/2F, Rohini Enclave, 14th main, 1st cross
 Central Silk Road, Bangalore-56
 Ph: 9686564

MEP CONSULTANT

REV	DATE	DESCRIPTION
01	26.04.2019	ISSUE FOR PERMIT FOR NEARBY PROPERTIES
02	17.03.2019	CHANGE IN THE ARCHITECTURE
03	04.02.2019	Good For Construction
04	14.03.2019	Good For Construction

PROJECT: GARC
 DRAWING TITLE: ENTRANCE COMPOUND WALL DETAIL
 PROJ. NO: 054
 DRAWING NO: K33-GVRC-COMP. WALL-REV 04
 DATE: 16.04.2019
 SCALE: A403
 SHEET NO: 01 OF 01
 PROGRAMMER: [Name]
 CHECKED BY: [Name]
 APPROVED BY: [Name]