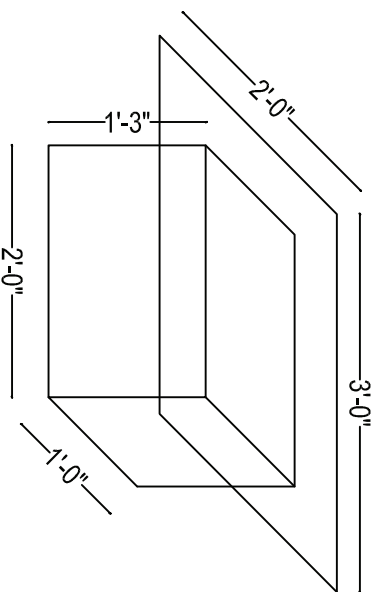
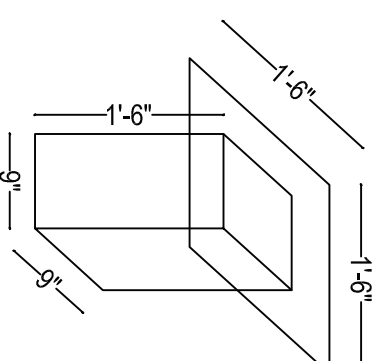


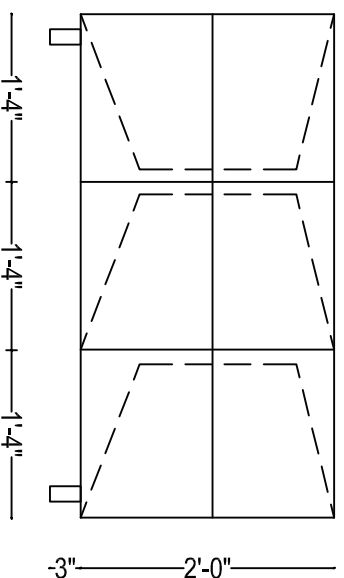
Centre table



Side table



Buffet table



(Depth 15" to 18")

| | | | | | | | | | |
|-------------------|--|-----------|--|---------------------------------------|--|---------------|--|---|--|
| Description | | Direction | | Owners & Developers : | | Date : | | Promoted by | |
| FURNITURE DETAILS | | | | Modi Properties & Investment Pvt Ltd. | | 05.02.16 | | Modi Properties & Investments Pvt. Ltd. | |
| | | | | Project Name & Phase : | | Prepared By : | | Soham Modi | |
| | | | | | | Approved By : | | N.T.S | |
| | | | | | | Scale : | | Phone: +91-40-66335551 | |