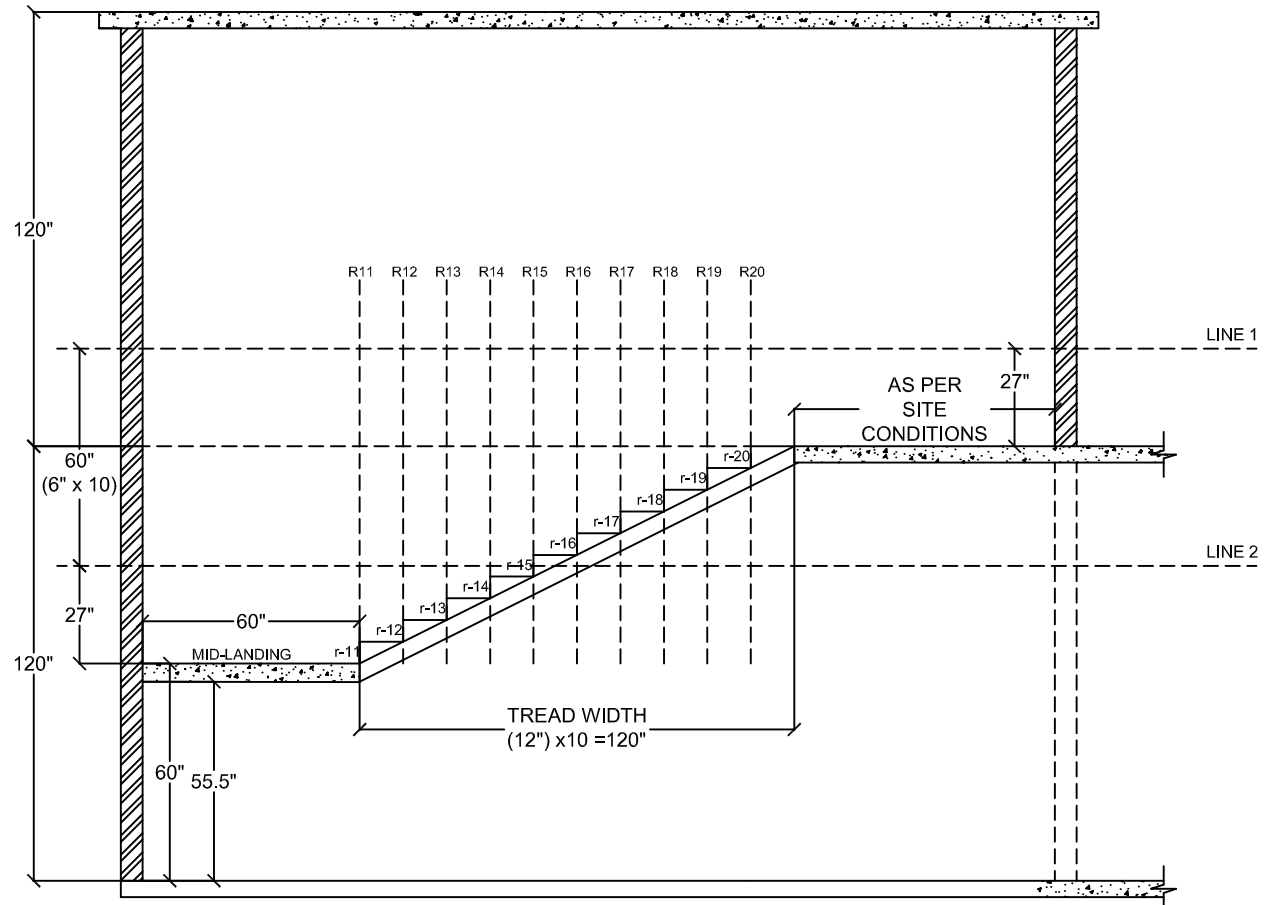
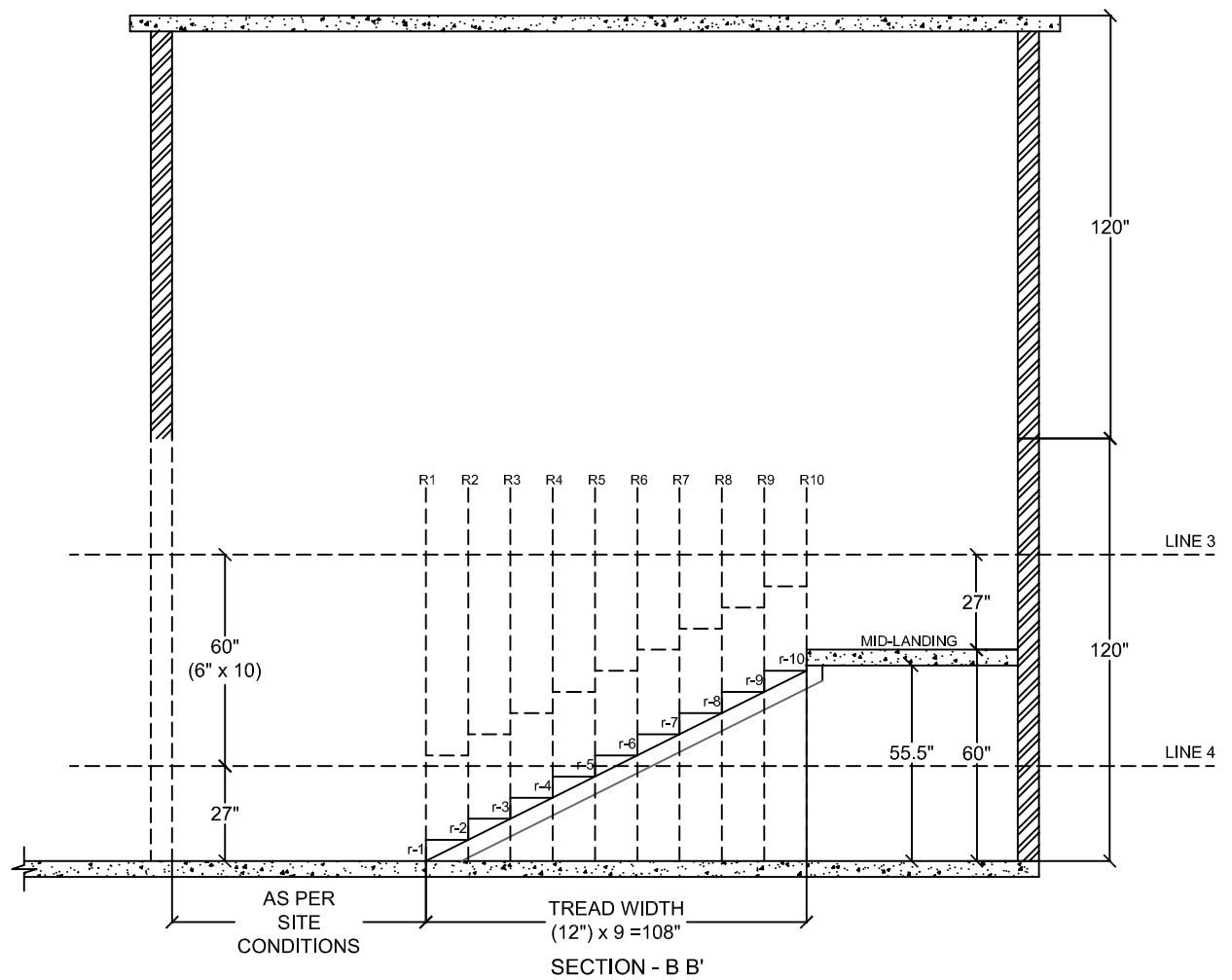
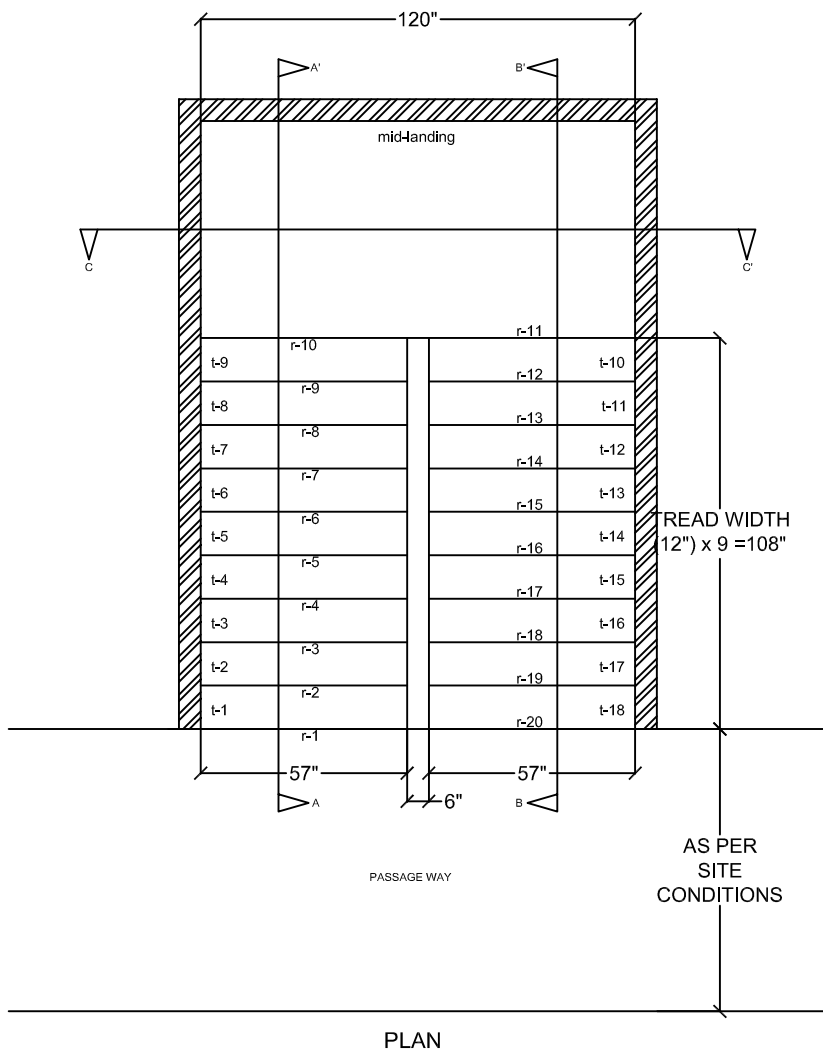


SECTION - C C'



SECTION - A A'



Description

Direction

Owners & Developers :

Date :

04/06/18

Promoted by

STAIRCASE DRAWING - FOR APARTMENTS  
MARKING PLAN



Modi Properties Pvt Ltd.

Prepared By :

Madhav

Modi Properties Pvt. Ltd.

Project Name & Phase :

Approved By :

Soham Modi

Phone:+91-40-66335551

Scale :

N.T.S