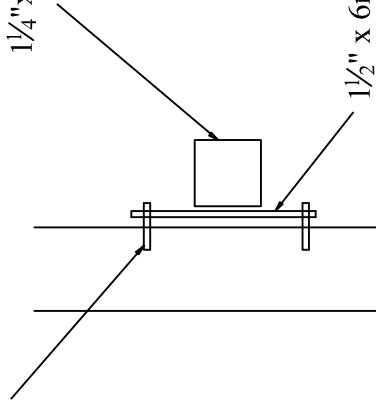


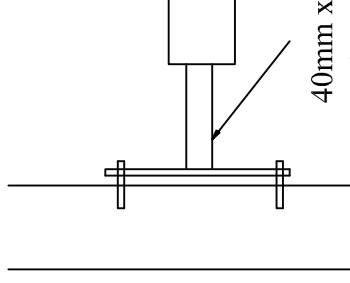
Use 2 nos 6mm anchor bolts to fasten to columns, Drill only 5mm hole



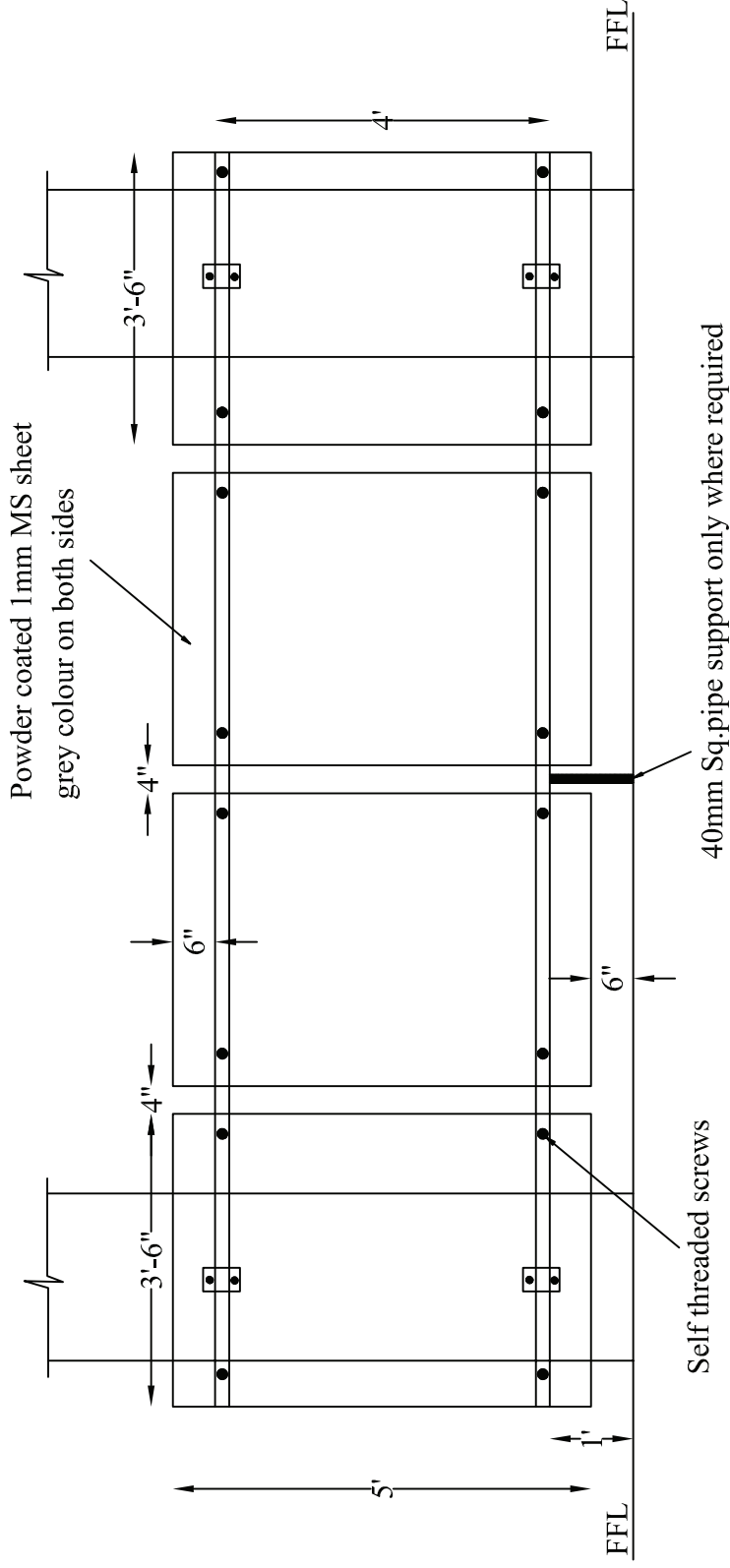
1/4" x 1/4" ~ 40mm x 40mm MS pipe 2mm thick

1/2" x 6mm x 4" MS flat patti

ALTERNATE



40mm x 6mm MS flat patti  
up to max 3" to keep pipe straight



Self threaded screws

40mm Sq. pipe support only where required

Description

Direction



STANDARD DESIGN FOR BARRICADE ON STILT OR PARKING FLOOR

Date : 29.04.17

Approved By : Soham Modi

Prepared By : M.Nagalaxmi

Scale : N.T.S

Promoted by

Modi Properties Pvt. Ltd.

Phone: +91-40-66335551