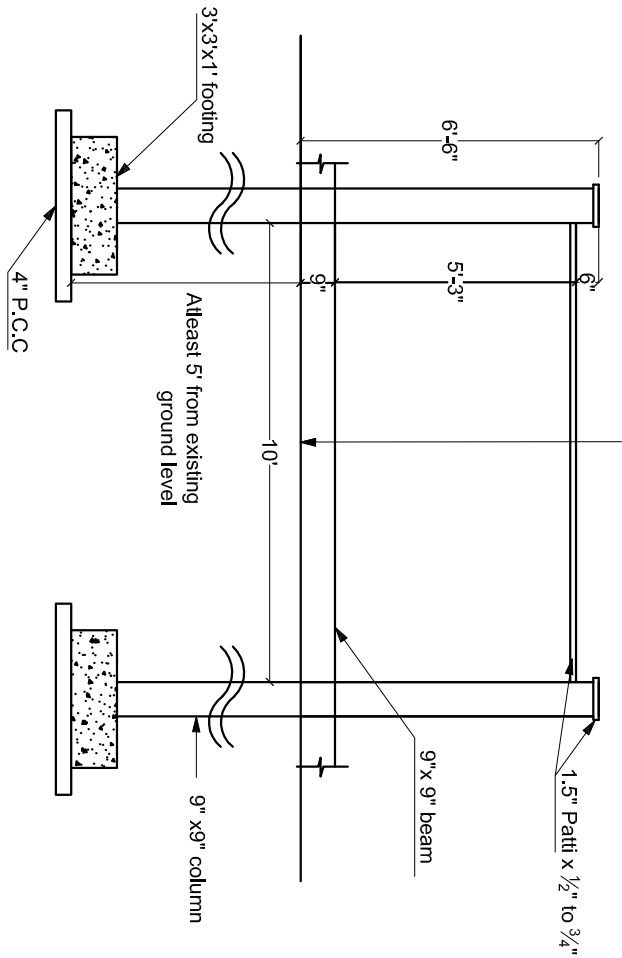


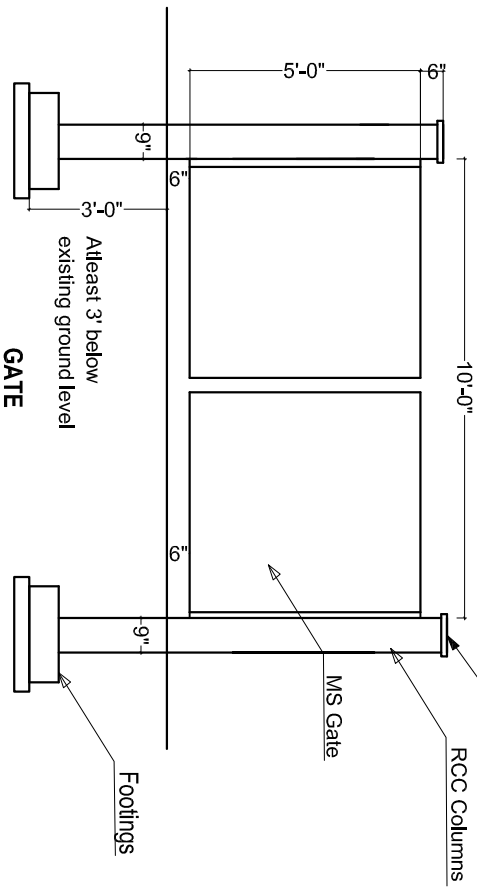
TYPICAL COMPOUND WALL PLAN

CIRCULAR.NO.889(a) - FIGURE.NO.19 & 20

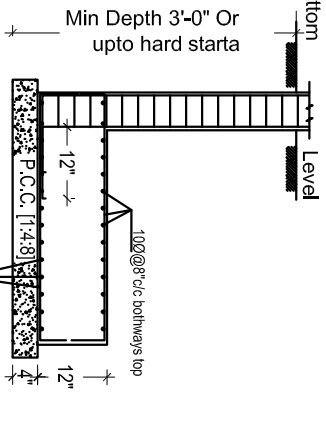
Beam bottom is 6" above FFL of road



TYPICAL GATE PLAN

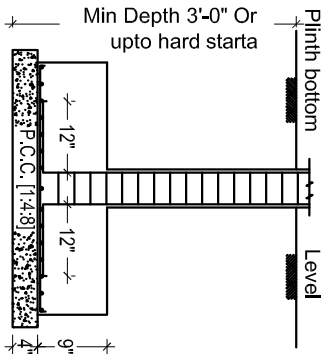


Plinth bottom

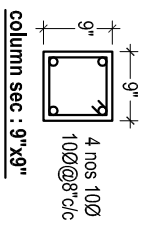


FOOTING

Plinth bottom

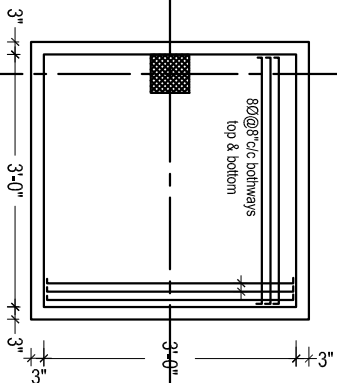


FOOTING

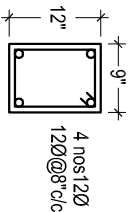
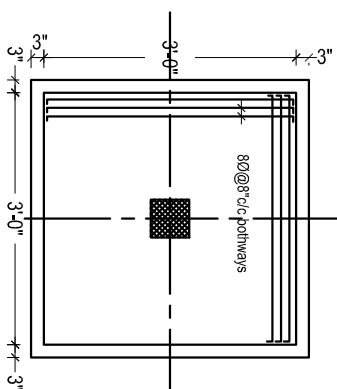


column sec : 9"x9"

SHOE FOOTING PLAN

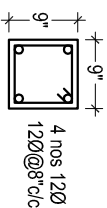


PLAN



plinth beam sec : 9"x12"

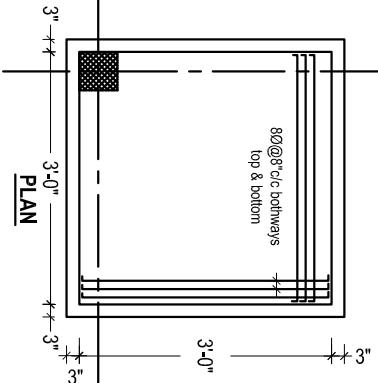
for 10 to 15 feet span



plinth beam sec : 9"x9"

for (up to 10 feet span)

CORNER FOOTING PLAN



Note: Pit size can be 8'x3'. If soil condition is good, centering boxes are not required.

Description

COMPOUND WALL AND GATE DESIGN

Direction



Date : 05.05.18

Approved By : Soham Modi

Prepared By : M.Nagalaxmi

Scale : N.T.S

Promoted by

Modi Properties & Investments Pvt. Ltd.  
Phone: +91-40-66335551



PROPERTIES