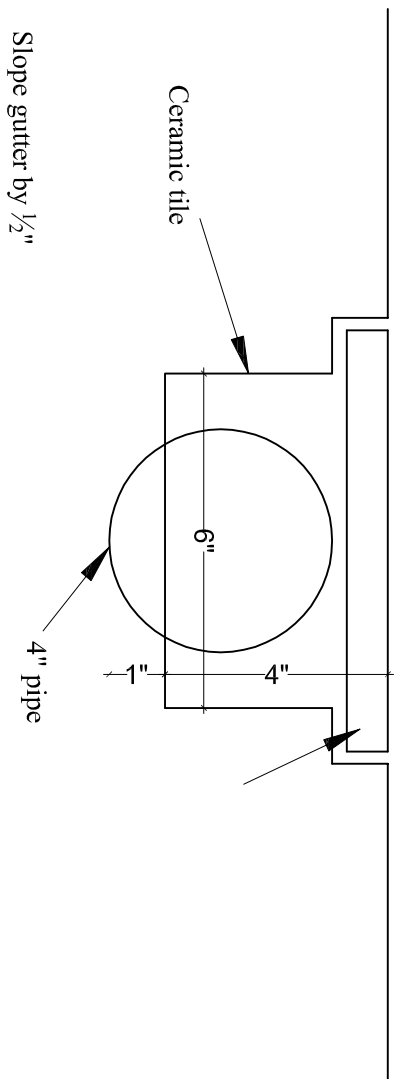
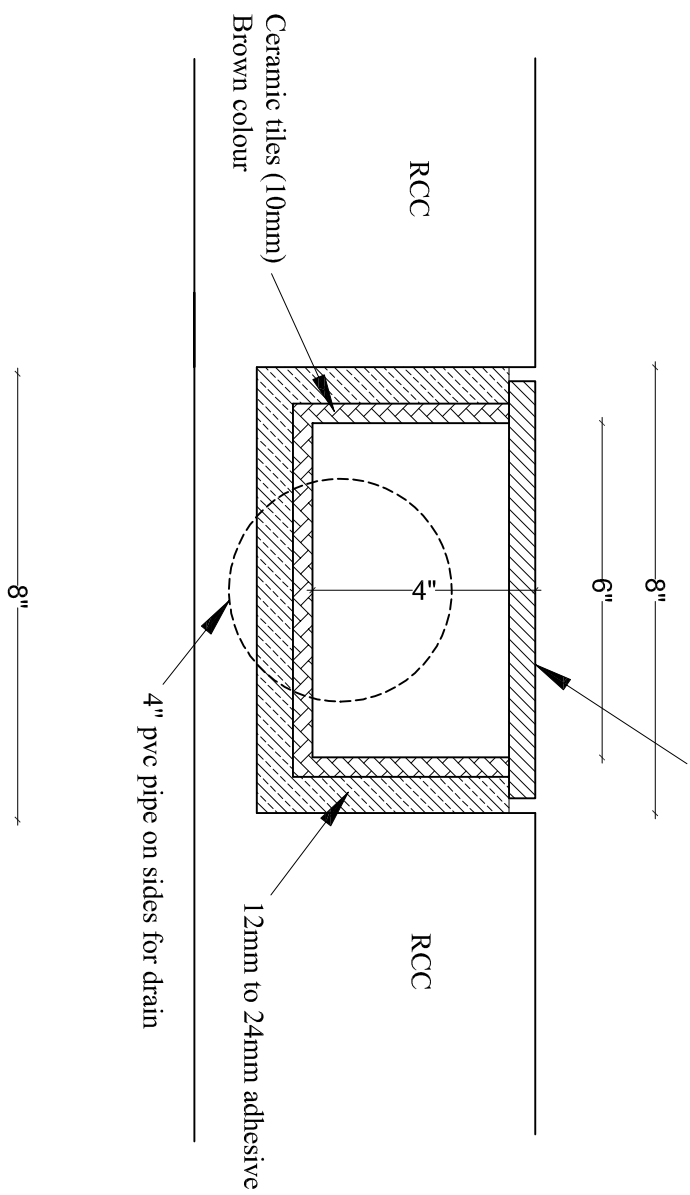


Grating / Jali with 3/4" x 6mm MS flat @ 1"



Description	Direction	Owners & Developers :		Date :	Promoted by
		Modi Properties & Investment Pvt Ltd.			
STANDARD DRAWING OF GUTTER FOR OUT RAMP	N	Project Name & Phase :		Prepared By :	Soham Modi
				Approved By :	
				Scale :	Modi Properties & Investments Pvt. Ltd. Phone: +91-40-66335551