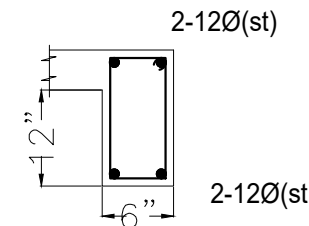
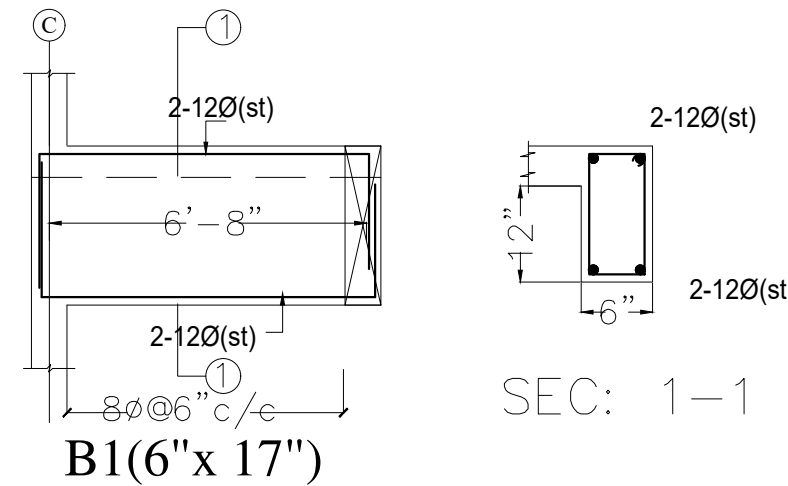
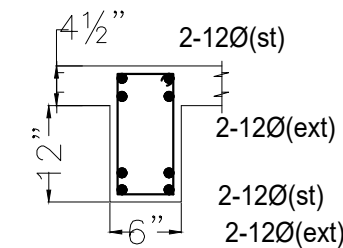
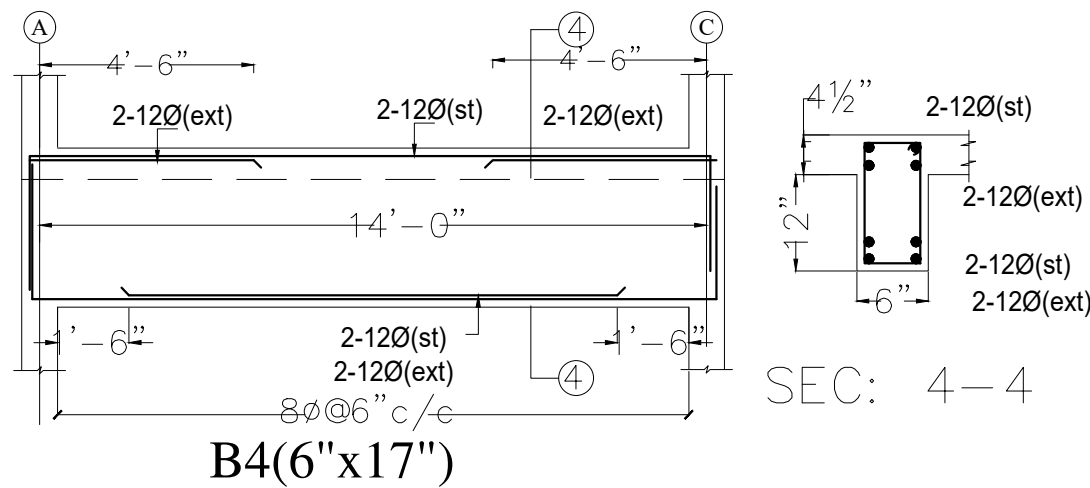


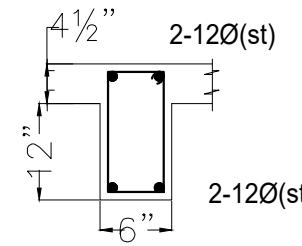
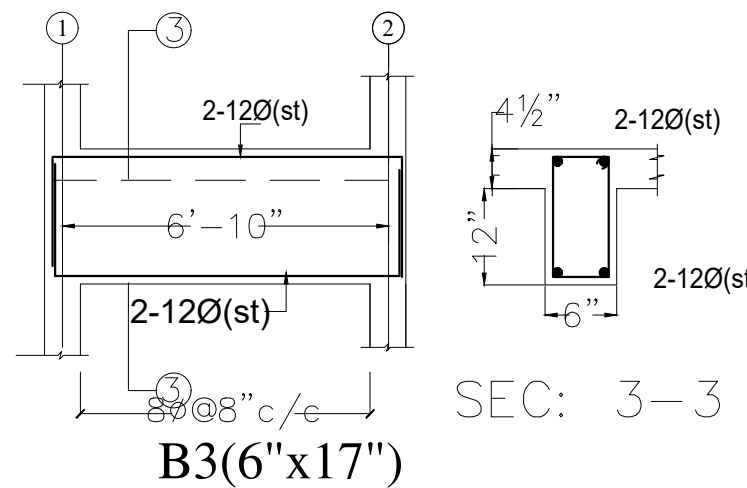
SEC: 2-2



SEC: 1-1



SEC: 4-4



SEC: 3-3

General Notes : --

1. Use M25 (1:1:2) grade for columns & M20 (1:1.5:3) for footings, slab & Beams
2. Use FE500 grade for steel.
3. Provide clear cover of 2" for footings & 1.5" for columns.
4. Provide clear cover of 1" for beams
5. Read horizontal beams from left to right & vertical from bottom to top.
6. Crank +ve bars at L/4 th of span & extend -ve bars L/5 th of span.
7. Do not over lap bottom rods at center and top rods at support.
8. Slab thickness

DESCRIPTION DATE

GOOD FOR CONSTRUCTION



Client: MODI PROPERTIES & INVESTMENTS PVT.LTD

Project: NILAGIRI ESTATE AT RAMPALLY, PHASE - II

STRUCTURAL CONSULTANT: **KULKARNI CONSULTANT'S**
 STRUCTURAL ENGINEERS, ARCHITECTS & PROJECT CONSULTANT'S
 #216, KUBERA TOWER'S, NARAYAN GUDA, HYDERABAD.
 CONTACT NO'S:- 04023223891, 09246343724, 09246343720.

| | | | |
|--------------------|-----------------|-----------------------------|----------------------------------|
| DATE | 30-11-2016 | TYPE --AA1(SINGLE & Duplex) | |
| DEALT BY | PAWAN | TITLE: | STAIRCASE HEAD ROOM SLAB DETAILS |
| DESIGN BY | MD VIQHAR AHMED | | |
| CHECKED & APPROVED | KULKARNI | DWG. NO. | KC/SD/NS2/4 |
| | | REV. No. | 1 |