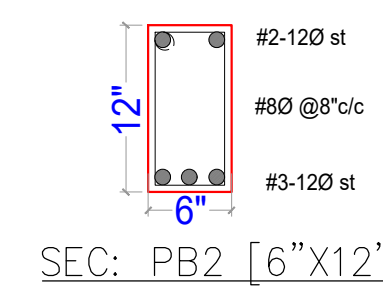
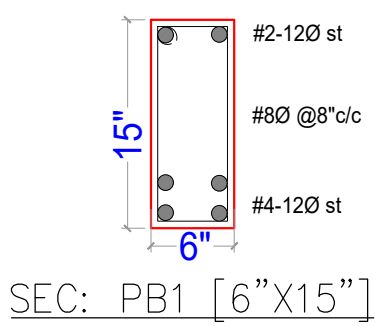


PLINTH BEAM LAY-OUT



General Notes : --

1. Use M25 (1:1:2) grade for columns & M20 (1:1.5:3) for footings, slab & Beams
2. Use FE 500 grade for steel.
3. Provide clear cover of 2" for footings & 1.5" for columns.
4. S.B.C of the Soil is taken as 250kn/m2.
5. Footings are design for Ground & Upeer 2 floor.
6. Provide clear cover of 1" for beams
7. Read horizontal beams from left to right & vertical from bottom to left.
8. crank +ve bars at L/4 th of span & extend -ve bars L/5 th of span.
9. Do not over lap bottom rods at center and top rods at support.
10. Slab thickness

DESCRIPTION	DATE

GOOD FOR CONSTRUCTIONS

Client	MODI PROPERTIES & INVESTMENTS PVT.LTD
Project	NILAGIRI ESTATE PHASE - II
STRUCTURAL CONSULTANT	<b>KULKARNI CONSULTANT'S</b> STRUCTURAL ENGINEERS, ARCHITECTS & PROJECT CONSULTANT'S #216, KUBERA TOWER'S, NARAYAN GUDA, HYDERABAD. CONTACT NO'S:- 04023223891, 09246343724, 09246343720.

DATE	21-11-2016	TYPE - BB1 (Duplex)	
DEALT BY	PAWAN	TITLE:	PLINTH BEAM LAY-OUT
DESIGN BY	SRIKANTH		
CHECKED & APPROVED:	KULKARNI	DWG. NO.	KC/SD/NS2/3
		REV. No.	1