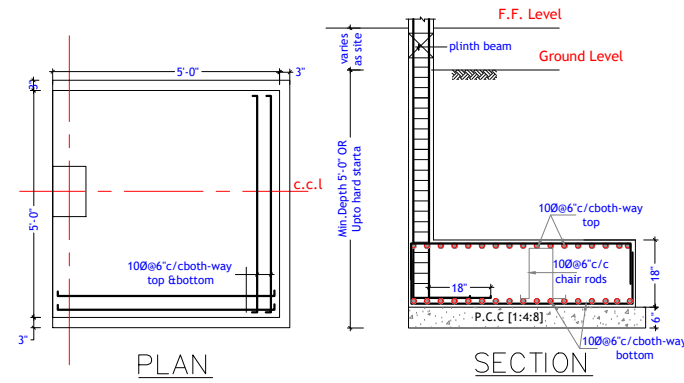


COLUMN DETAIL'S (GROUND & FIRST FLOOR)

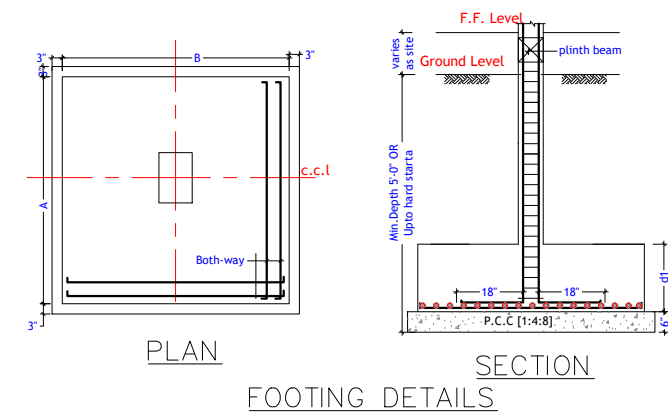
Type	Mix	Size	Section	Reinforcement
C1	M 25	9"X12"		#4No-16Ø #4No-12Ø #8Ø@6"c/c

FOOTING DETAIL'S

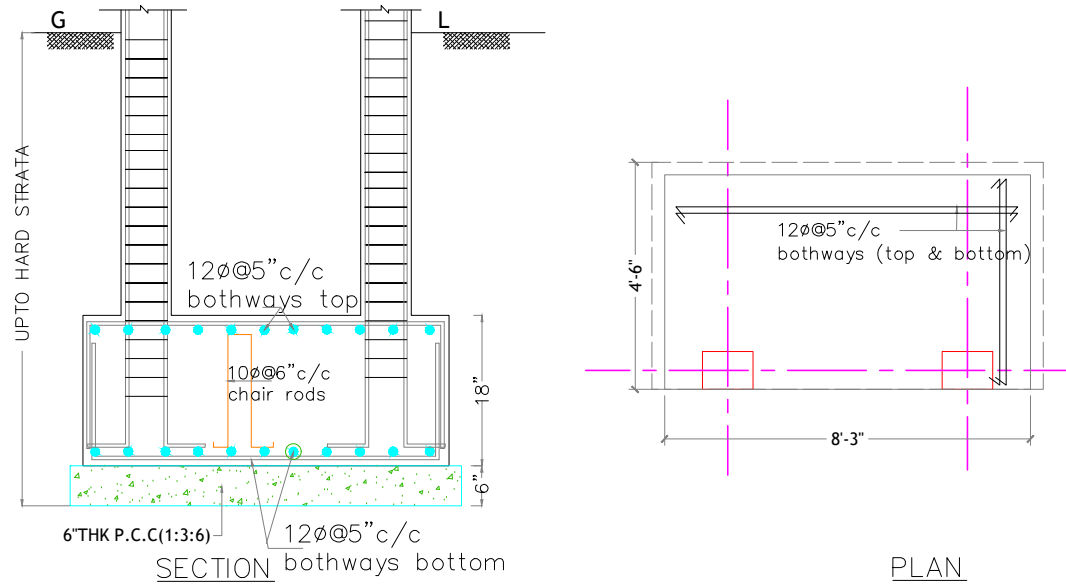
Type	A	B	d1	Reinforcement
F1	5'-0"	5'-0"	15"	#10Ø@6"c/c
F2	6'-0"	6'-0"	15"	#10Ø@5"c/c
SF	5'-0"	5'-0"	18"	#10Ø@6"c/c bothways top & bottom



SHOE FOOTING (SF)



FOOTING DETAILS



COMBINED SHOE FOOTING DETAILS (C SF)

General Notes : --

1. Use M25 (1:1:2) grade for columns & M20 (1:1.5:3) for footings, slab & Beams
2. Use FE 500 grade tor steel.
3. Provide clear cover of 2" for footings & 1.5" for columns.
4. S.B.C of the Soil is taken as 250kn/m2.
5. Footings are design for Ground & Upeer 2 floor.
6. Provide clear cover of 1" for beams
7. Read horizontal beams from left to right & vertical from bottom to left.
8. crank +ve bars at L/4 th of span & extend -ve bars L/5 th of span.
9. Do not over lap bottom rods at center and top rods at support.
10. Slab thickness

DESCRIPTION	DATE

GOOD FOR CONSTRUCTIONS

Client: MODI PROPERTIES & INVESTMENTS PVT.LTD

Project: NILAGIRI ESTATE PHASE - II

STRUCTURAL CONSULTANT: **KULKARNI CONSULTANTS**
 STRUCTURAL ENGINEERS, ARCHITECTS & PROJECT CONSULTANTS
 #216, KUBERA TOWER'S, NARAYAN GUDA, HYDERABAD.
 CONTACT NO'S:- 04023223891, 09246343724, 09246343720.

DATE	21-11-2016	TYPE - BB2 (SINGLE)	
DEALT BY	PAWAN	TITLE:	COLUMN & FOOTING DETAILS
DESIGN BY	SRIKANTH		
CHECKED & APPROVED:	KULKARNI	DWG. NO.	KC/SD/NS2/7
			REV. No. 1