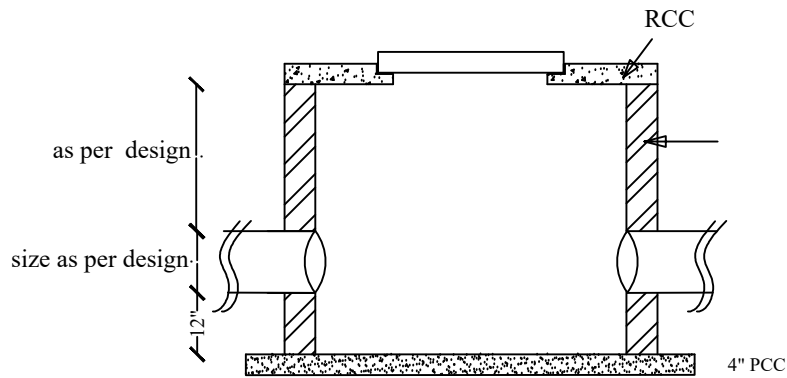
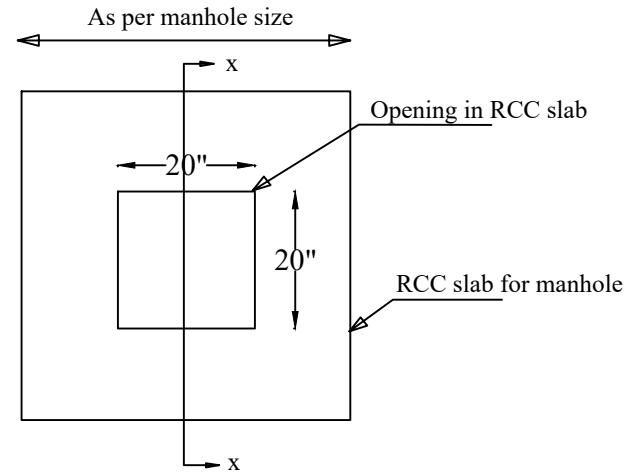
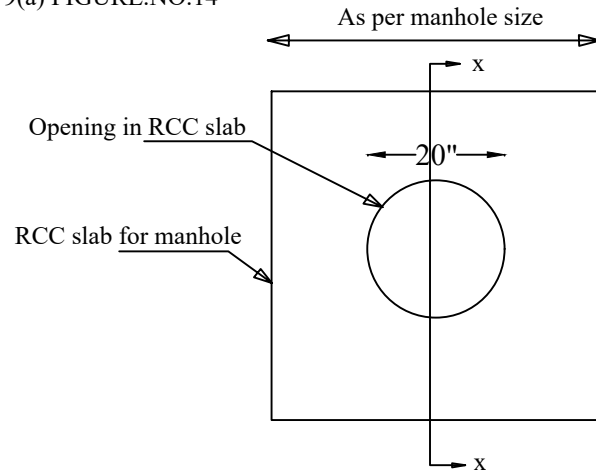
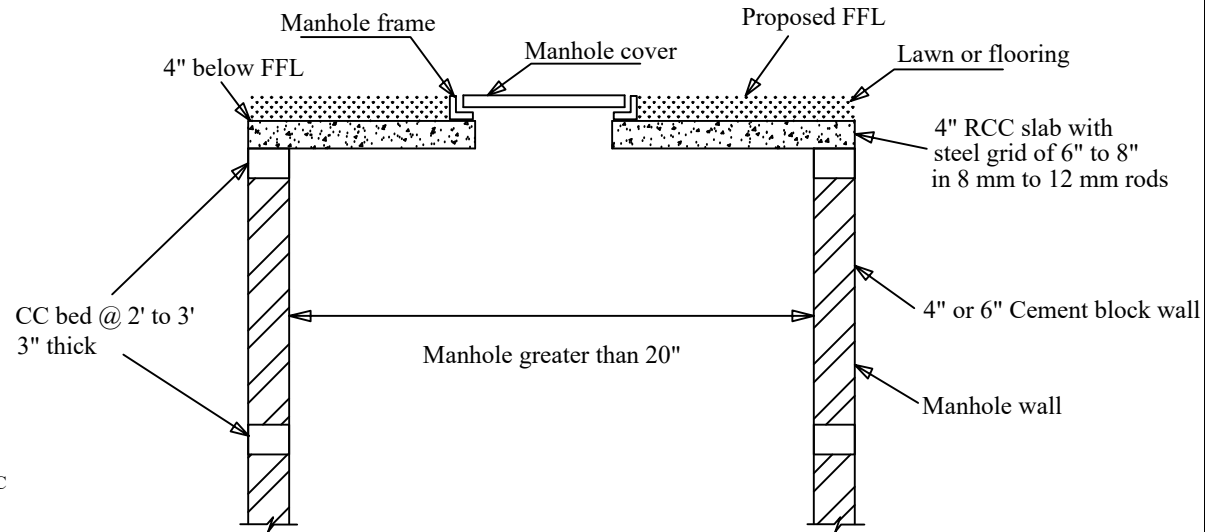


CIRCULAR.NO.879(a) FIGURE.NO.14



MAN HOLE FOR CC PIPE



Section showing manhole and frame placed on RCC cover

Description RCC MANHOLE PLACEMENT DESIGN CIRCULAR.NO.875(a)	Direction N 	Date :	13.03.19	 MODI PROPERTIES Promoted by Modi Properties & Investments Pvt. Ltd. Phone:+91-40-66335551
		Approved By :	Soham Modi	
		Prepared By :		
		Scale :	N.T.S	