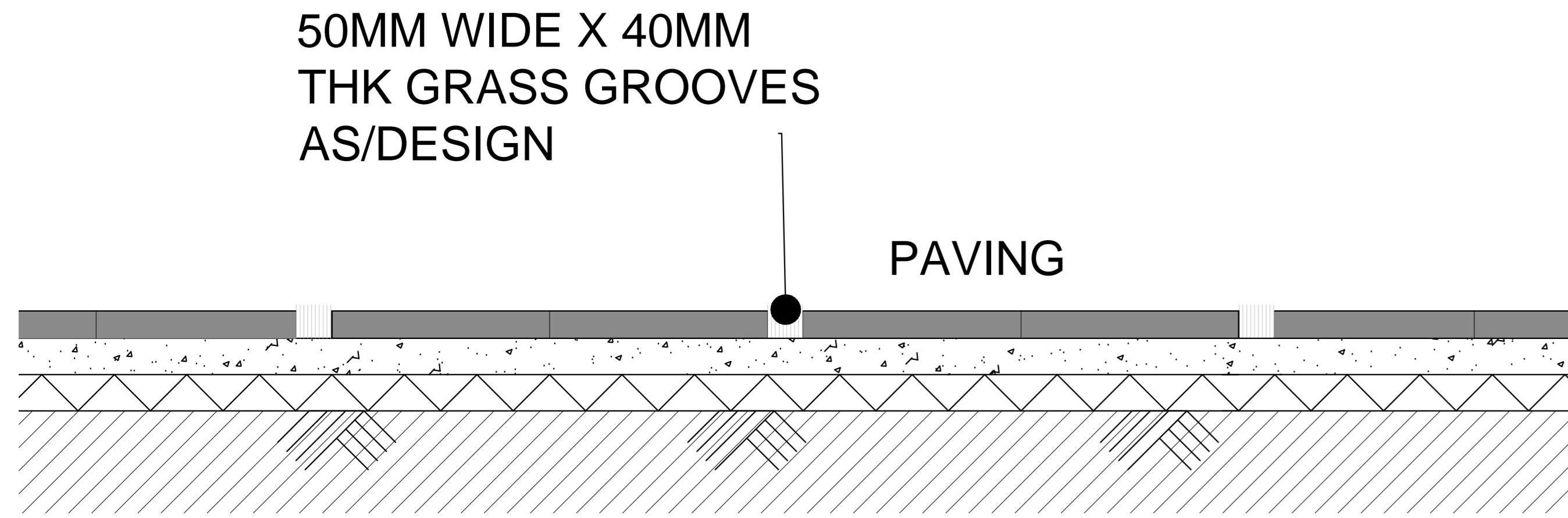
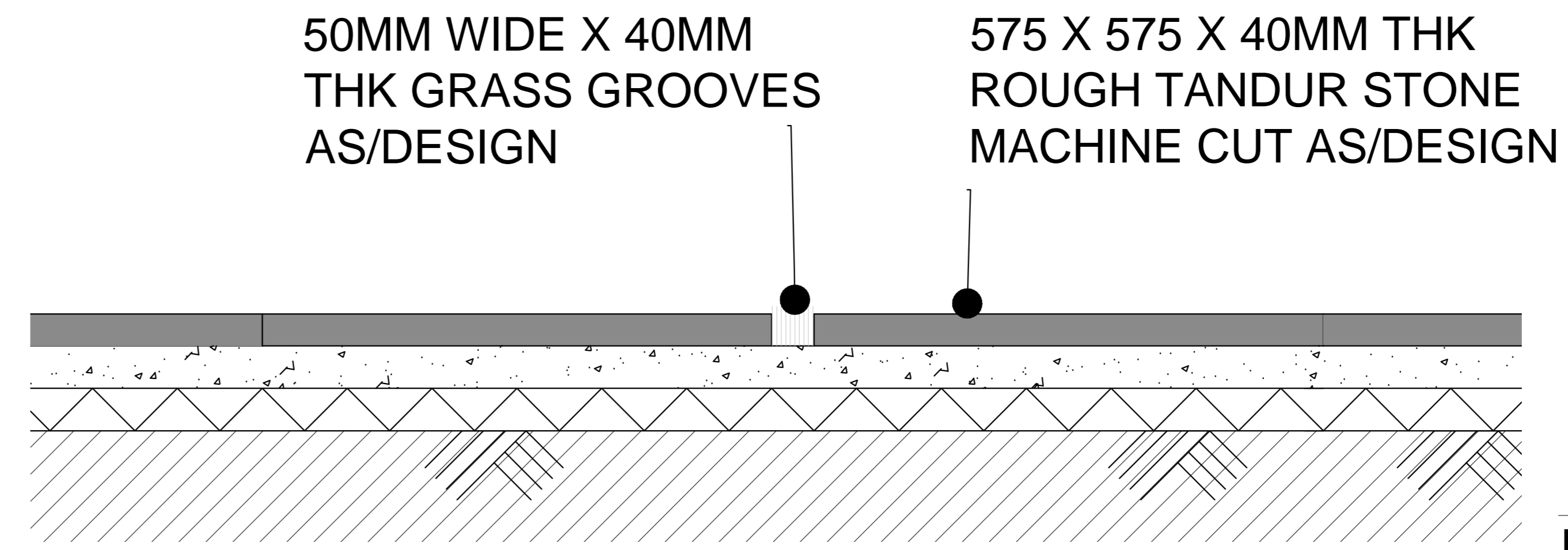


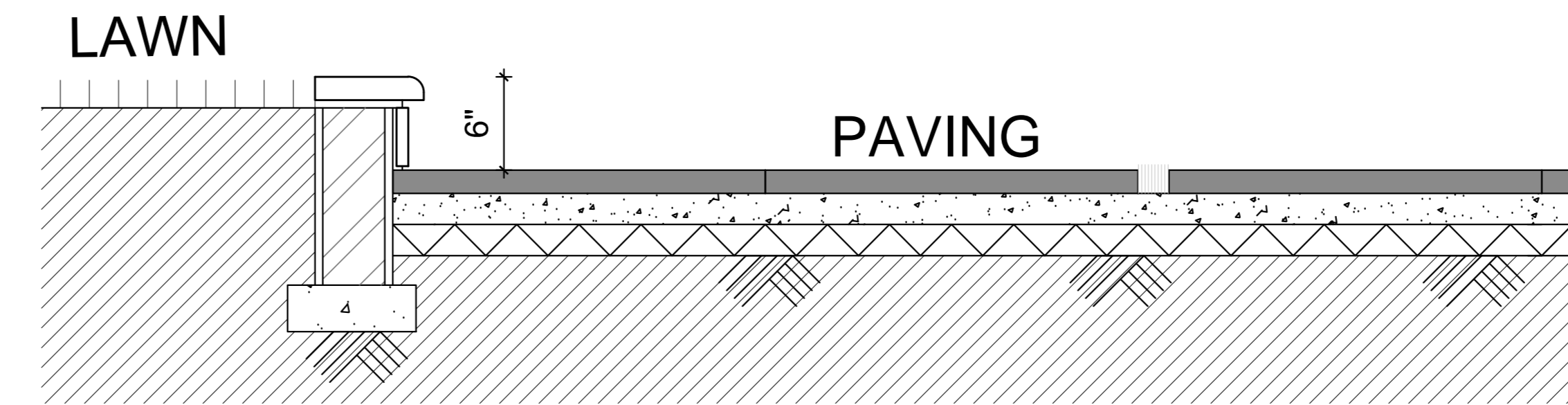
DETAIL - R
SECTION -A1



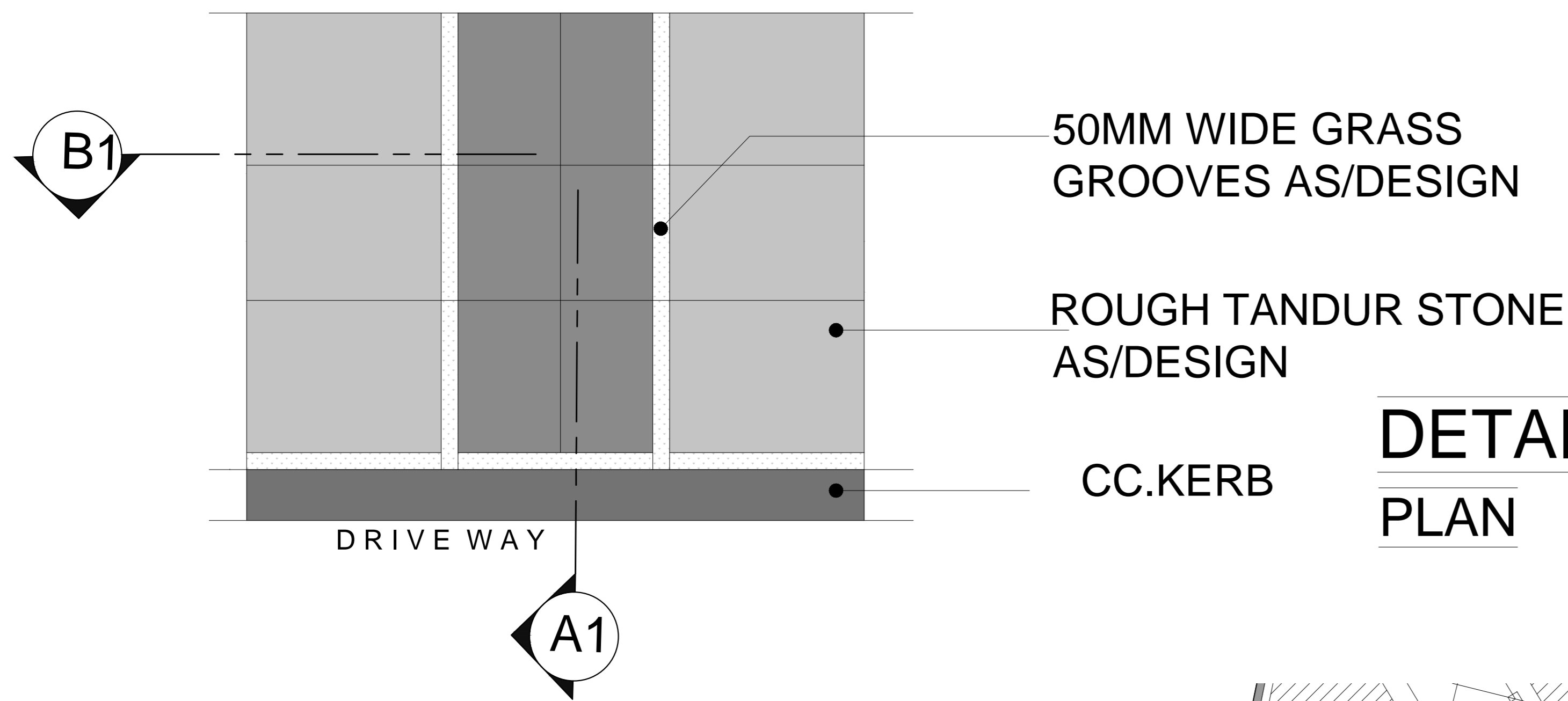
DETAIL - R
SECTION -B1



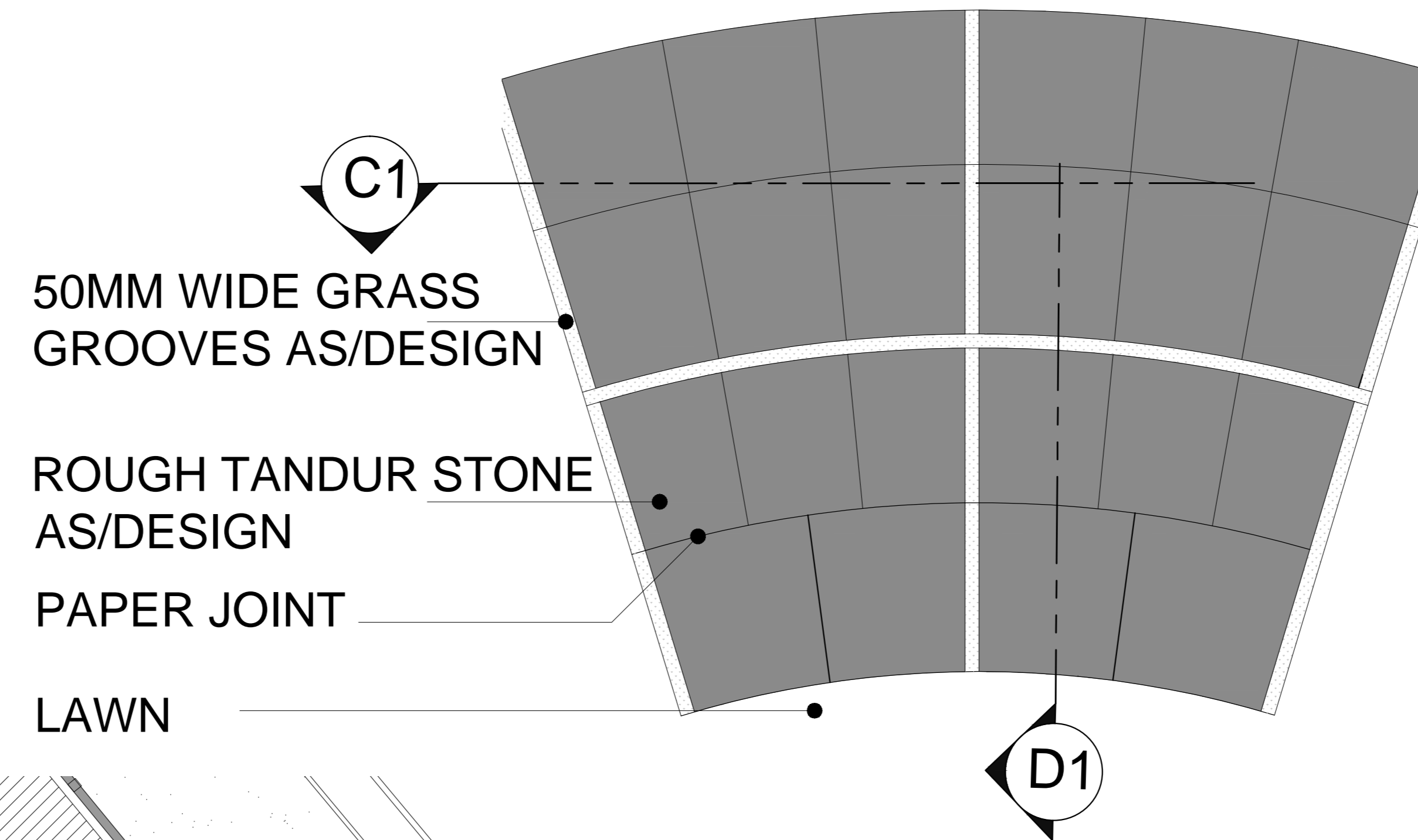
DETAIL - S
SECTION -C1



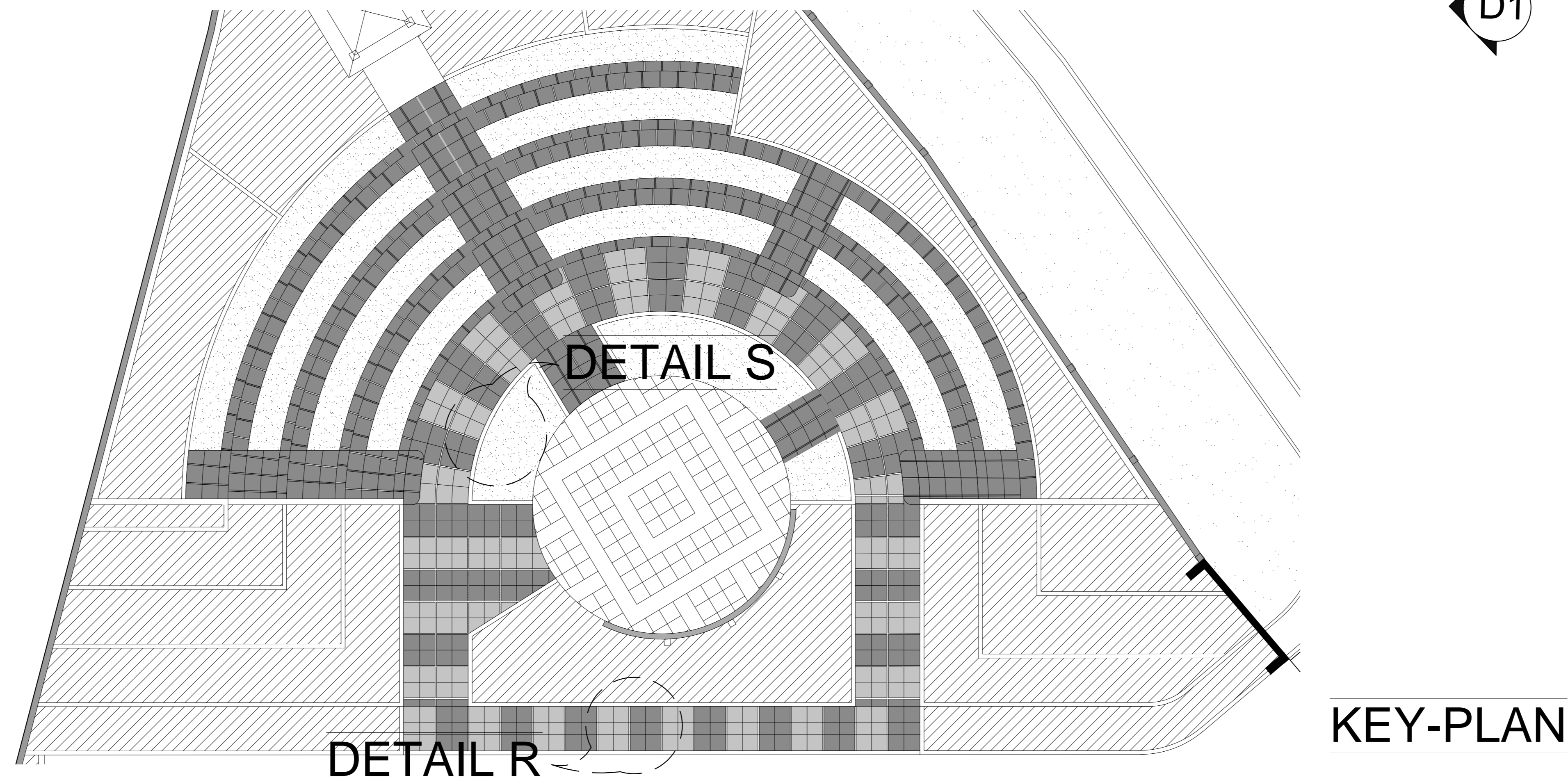
DETAIL - S
SECTION -D1



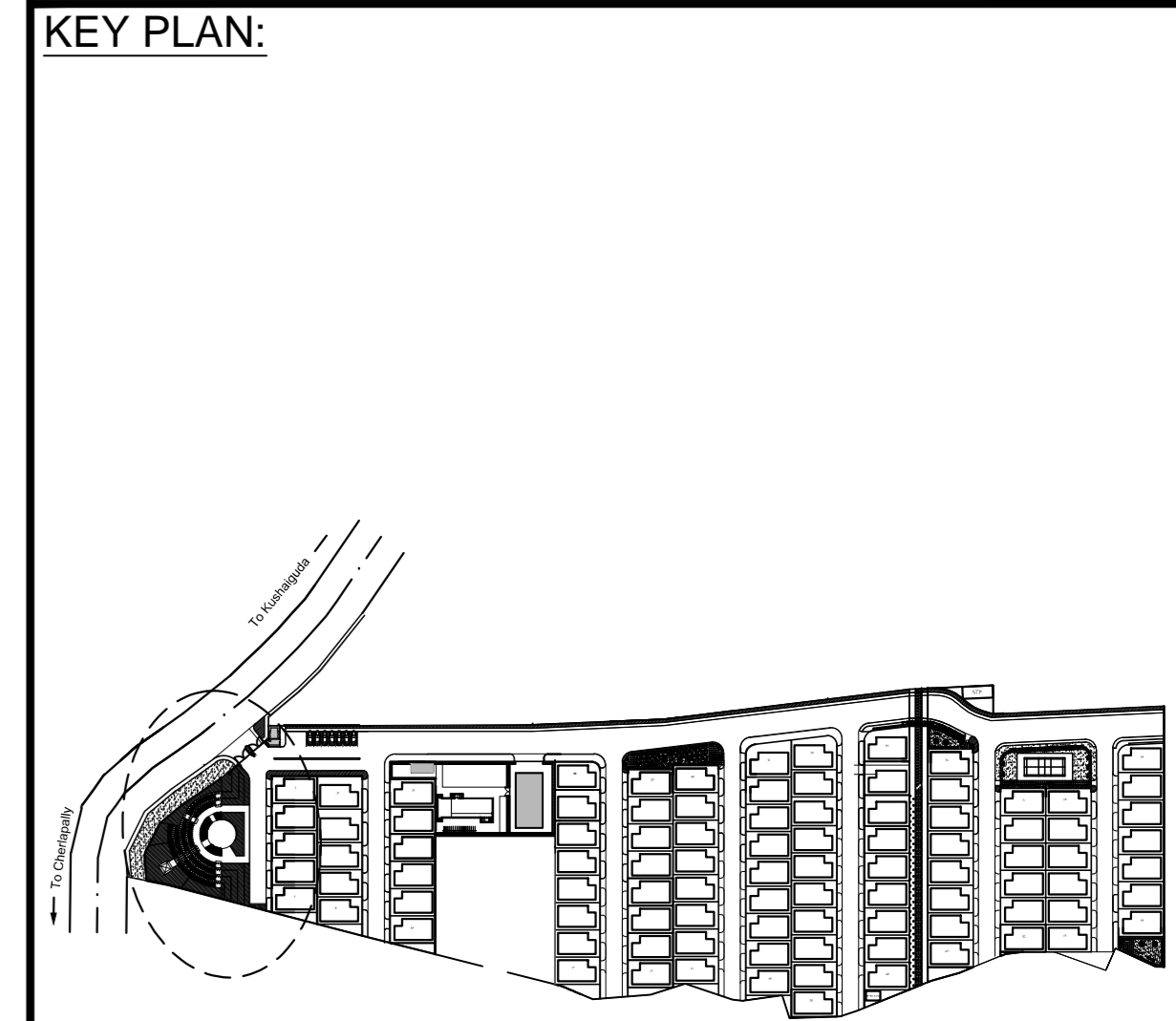
DETAIL - R
PLAN



DETAIL - S
PLAN



- NOTES:
- 1.THIS DRAWING IS THE PROPERTY OF THE ARCHITECTS AND SHALL NOT BE COPIED WITHOUT PRIOR PERMISSION.
 - 2.DISCREPENCIES FOUND IN THE DRAWING SHALL BE BROUGHT TO THE ARCHITECT-S NOTICE IMMEDIATELY.
 - 3.DRAWINGS SHALL BE READ AND SHOULD NOT BE SCALED.
 - 4.ALL DIMENSIONS ARE IN MILLIMETERS UNLESS MENTIONED.
 - 4.THIS DRAWING SHALL BE READ WITH OTHER RELEVANT DRAWINGS SUCH AS STRUCTURAL,MEP,ETC.



| 4 | | | |
|----------|-------------------------|------|----|
| 3 | | | |
| 2 | | | |
| 1 | | | |
| Rev. No. | Description of Revision | Date | By |

PROJECT:

SILVER OAKS VILLA HYDERABAD

ARCHITECTS:

LANDSCAPE ARCHITECTS:

NARSIMHAM ASSOCIATES

22 , Lepakshi Colony,
West Maredpally , Secunderabad - 400026

TITLE:

PROPOSED SITE LANDSCAPE OPEN AIR AMPHITHEATRE - PAVING DETAILS

| | | |
|---------------------------|---------------------|-----------------------------|
| North N | Date APR '19 | Scale NTS |
| | Dealt G.S | Sr.Project Architect S.K |
| Dwg. No. SOV/L/C/146/C | Sr.Architect V.N | |

M/S. NARSIMHAM ASSOCIATES, HAS THE COPY RIGHTS OF THIS DOCUMENT, AND IT SHOULDN-T BE USED BY ANYBODY WITHOUT THE WRITTEN PERMISSION OF THE ARCHITECT.