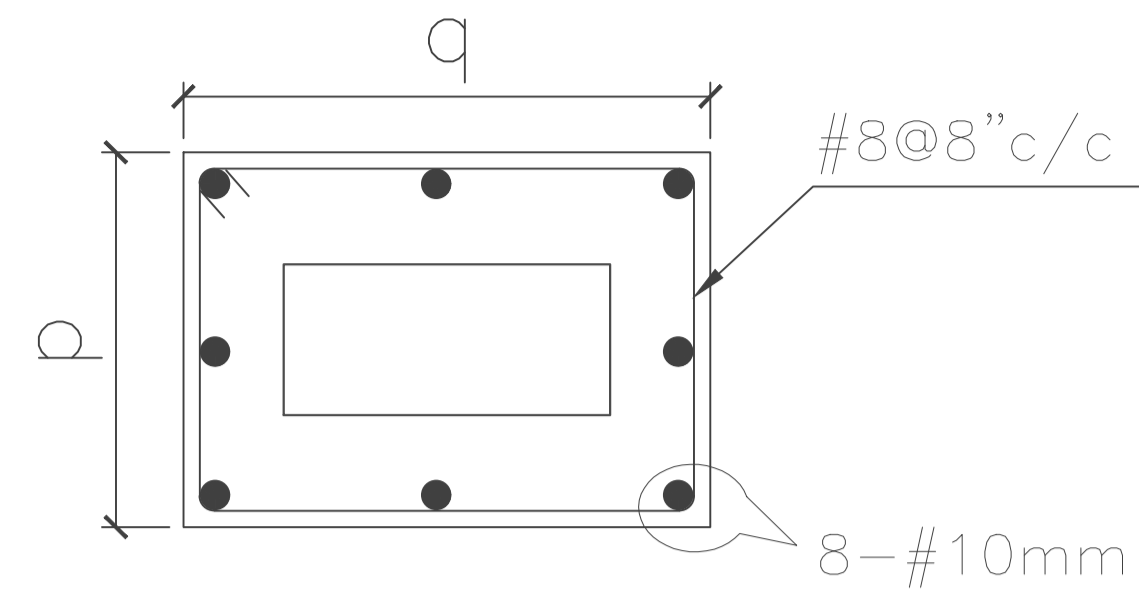
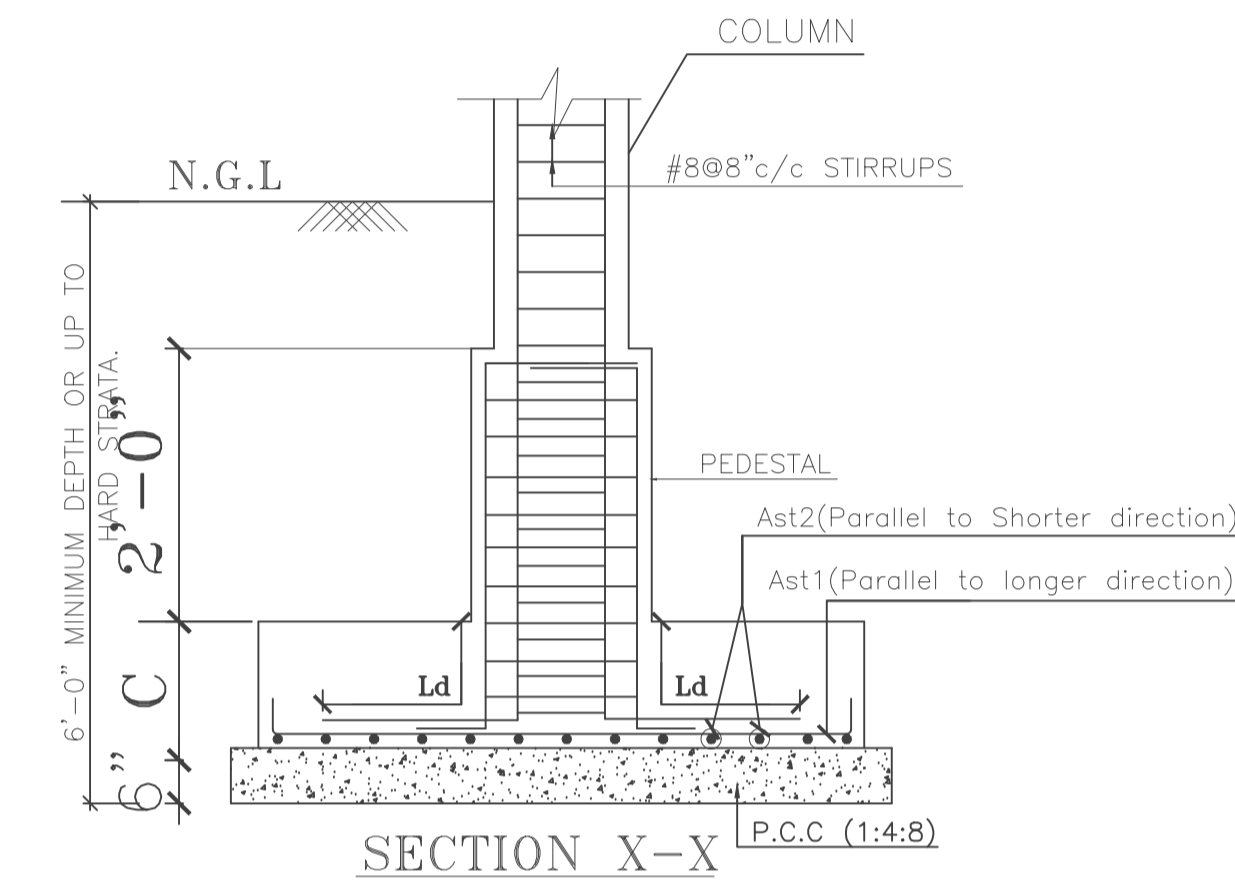


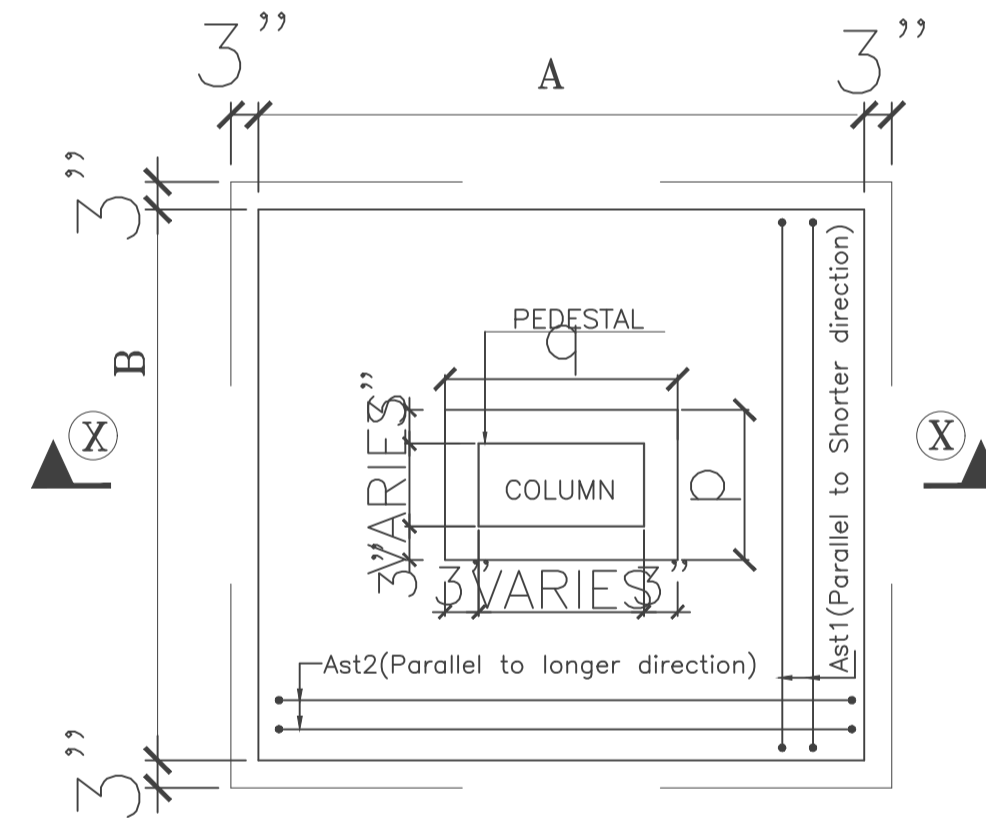
SCHEDULE OF COLUMNS						
COL. TYPE	MIX	SIZE (axb)	MAIN STEEL	TIES & LINKS	C/S OF COLUMN	SIZE OF PEDSTAL (P x Q)
C1	M-20	6"x18"	<ul style="list-style-type: none"> ● 4-#16mm ○ 4-#12mm 	#8@6"c/c 1 TIE		(12"x24")
C2	M-20	6"x18"	● 8-#16mm	#8@6"c/c 1 TIE		(12"x24")
C3	M-20	24"x24"	● 8-#20mm	#8@6"c/c 4 TIES		
C4	M-20	36"x36"	● 12-#20mm	#8@6"c/c 4 TIES		



PEDASTAL DETAILS FOR C1,C2



SECTION X-X



TYPICAL FOOTING PLAN

NOTES:

- DO NOT SCALE THIS DRAWING. FOLLOW FIGURED DIMENSIONS.
- ALL DIMENSIONS ARE IN FEET & INCHES ONLY.
- USE VIBRATED REINFORCED CONCRETE OF MIX M20 FOR FOOTINGS AND COLUMNS CONFORMING TO IS:456-2000.
- USE HYSD BARS OF Fe-415 AS PER IS:1786-1985.
- MIN. LAP LENGTHS RECOMMENDED FOR REINFORCEMENT.

BAR DIA	DEVELOPMENT LENGTH (Ld)
#8	1'-3"
#10	1'-9"
#12	2'-0"
#16	2'-6"
#20	3'-3"
#25	4'-0"

- NOT MORE THAN 33% OF COLUMN REINFORCEMENT SHALL BE LAPPED AT A PARTICULAR LOCATION.
- THE STRUCTURE IS DESIGNED FOR G+2 FLOORS ONLY.
- S.B.C. OF SOIL IS ADOPTED AS 350 kN/Sqm
- PROVIDE CLEAR COVER FOR FOOTINGS=2", COLUMNS=1½", BEAM STIRRUPS=¾", SLAB=¾"
- STIRRUPS SHOULD HAVE STANDARD HOOK AS PER SP-34.
- THE DIFFERENCE IN LEVELS OF DEPTH OF ADJACENT FOOTINGS SHALL NOT BE GREATER THAN HALF THE CLEAR DISTANCE BETWEEN THEM.
- CORRELATE WITH THE RELEVANT DRAWINGS FOR THE NECESSARY DETAILS
- ANY DISCREPANCY FROM THE DRAWING SHALL BE BROUGHT TO THE NOTICE OF CONSULTANTS.
- THIS DRAWING SHOULD BE READ IN CONJUNCTION WITH RELEVANT ARCHITECTURAL DWG.

2				
1				
REV	DATE	DESCRIPTION	CHKD.BY	REFERENCE
Project :				
PROPOSED COMMERCIAL BUILDING AT CHERLAPALLY				
Title :				
REINFORCEMENT DETAILS OF COLUMNS				
Promoters:				
M/S. MODI BUILDERS				
DATE 28-05-2019		SCALE N.T.S.		DRAWN BY K.N
DESIGNED BY NARASIMHA		CHKD.BY		APPROVED BY
				REV.