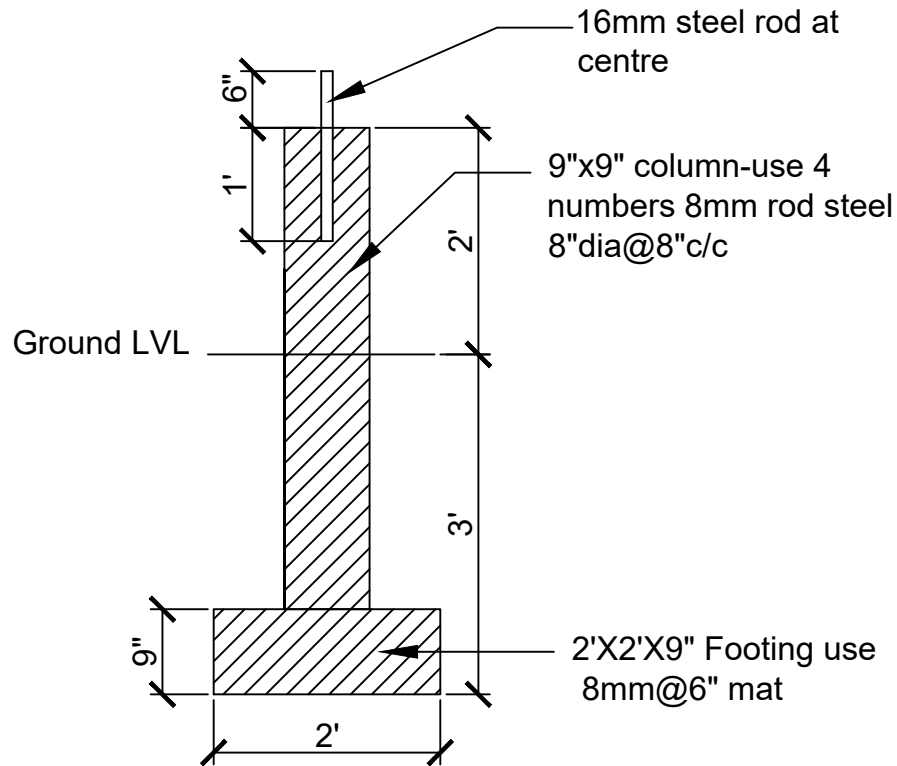
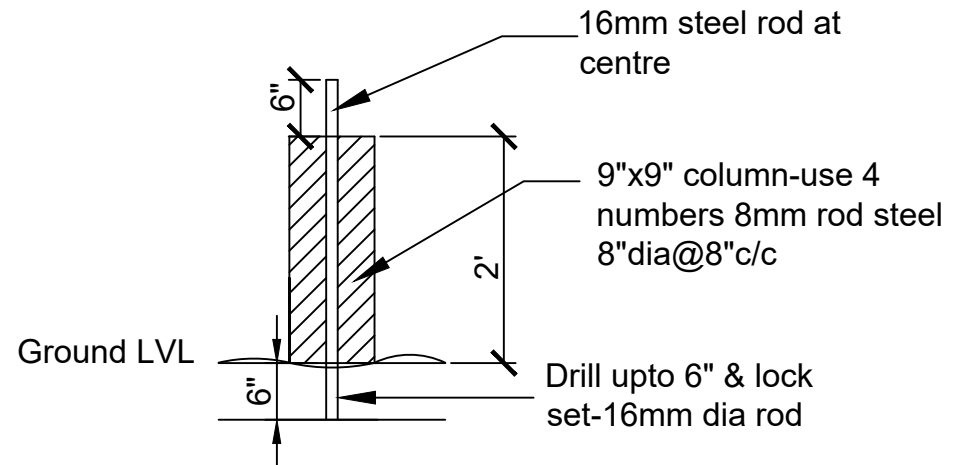
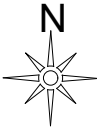


Points-where earth is present



Points-where solid rock is present



Description	Direction	Owners & Developers :	Date :	7-1-2019	Promoted by
STANDARD DRAWING FOR BLOCK MARKING		MODI PROPERTIES PVT LTD	Prepared By :	Jayapradha chawla	Modi Properties &
		Project Name & Phase :	Approved By :	Soham Modi	Investments Pvt. Ltd.
		GVRC	Scale :	N.T.S	phone:04066335551