

PROJECT

SERENE FARMS

YENKAPALLI

Hyderabad

CLIENT

MODI PROPERTIES

TITLE

INTERIOR DRAWING

CARPENTARY DRAWING

**MASTER BEDROOM UNIT  
LAMINATES**

LIGHT LAMINATE - OD 0119

DARK LAMINATE - OD 0153

**GUEST UNIT LAMINATES**

LIGHT LAMINATE - OD 0071

DARK LAMINATE - OD-0075

**BEDROOMS**  
Study Desk

DRAWING DETAILS

Scale:

Drawn by: AM

Checked by: AR

Date: 08-09-16

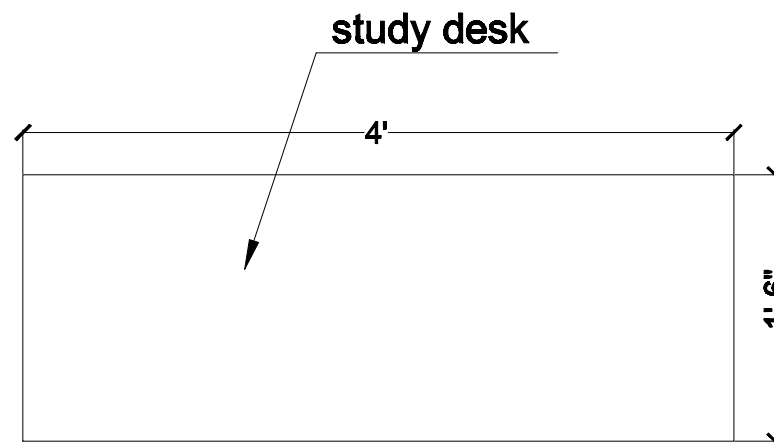
Drawing Code: INT-BED-CD6

Sheet No:

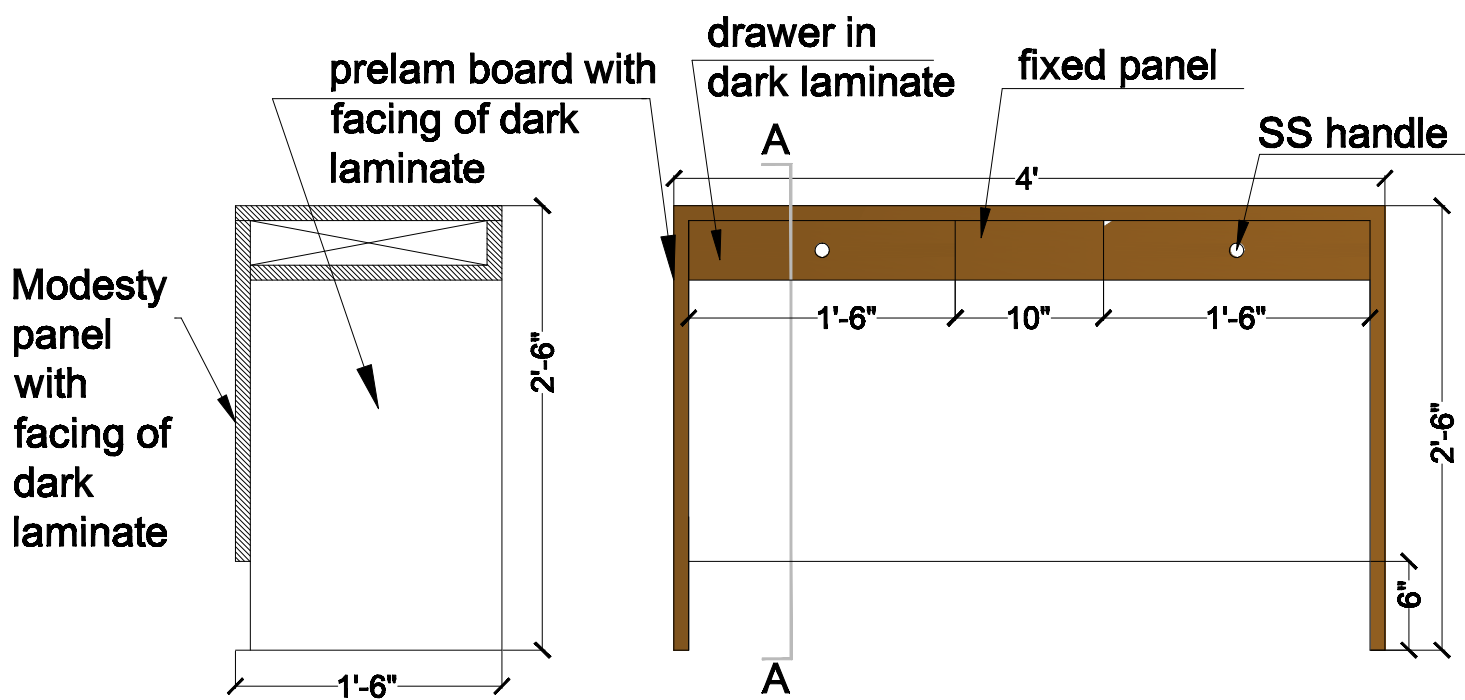
INTERIOR CONSULTANTS:

**ARDES**  
ARCHITECTS & INTERIOR DESIGNERS

7-1-212, SHIV-BAGH, AMEERPET, HYDERABAD.  
040-23753316; email: mail@ardes@gmail.com



PLAN



SECTION  
AT AA

ELEVATION