


**PLAN**  
**MD - DOOR ( 1no )**  
**(6'-0" X 8'-9")**  
**WD - W3 ( 2nos )**  
 dimensions as per elevation

**PLAN**  
**D - DOOR (1no )**  
**(4'-0" X 7'-0")**

PROJECT			
Serene Farms			
Yenkapalli			
Hyderabad			
****			
CLIENT			
Modi Properties			
****			
****			
TITLE			
WORKING DRAWING			
S.No	DATE	S.No	DATE
DRAWING DETAILS			
Club House			
Door Details			
****			
Scale:	NTS		
Drawn by:	Pooja		
Checked by:	AM		
Date:	13-12-2017		
Drawing Code:	WD-DD		
Sheet No:	01		
INTERIOR CONSULTANTS:			
 <b>ARCHITECTS &amp; INTERIOR DESIGNERS</b> 7-1-212,SHIV-BAGH, AMEERPET, HYDERBAD. 040-23753316; email: mailardes@gmail.com			

PROJECT  
**Serene Farms**  
 Yenkapalli  
 Hyderabad  
 \*\*\*\*

CLIENT  
**Modi Properties**  
 \*\*\*\*

TITLE  
**WORKING DRAWING**

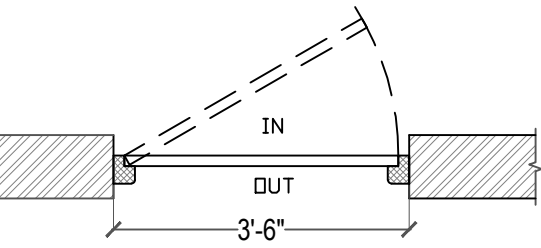
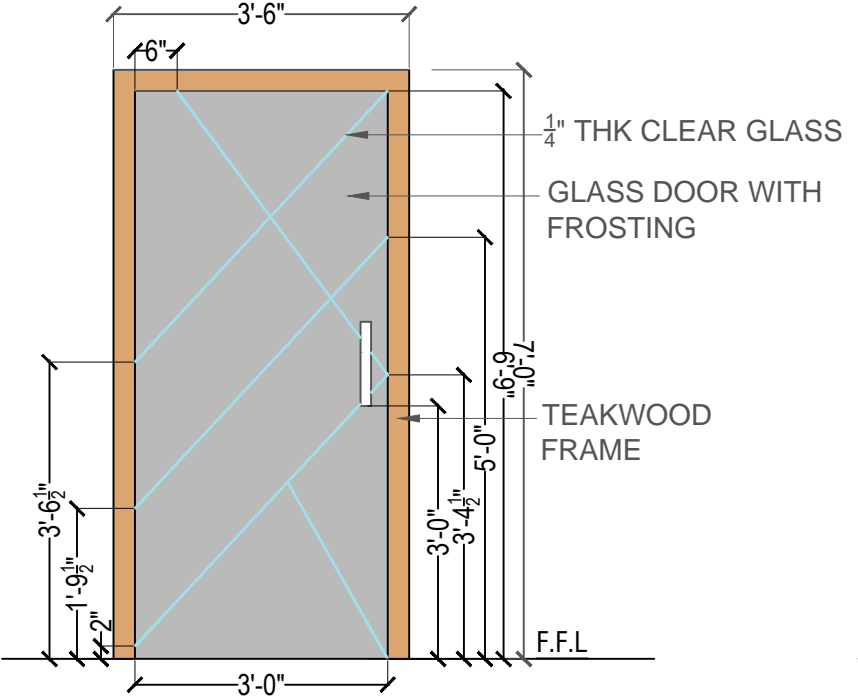
S.No	DATE	S.No	DATE

DRAWING DETAILS  
**Club House  
 Door Details**  
 \*\*\*\*

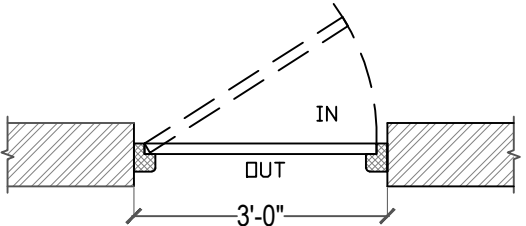
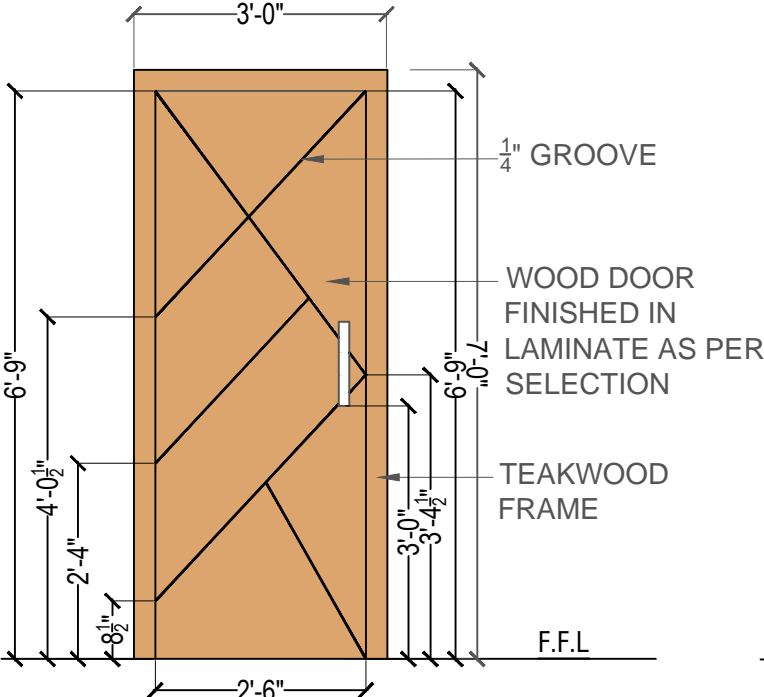
Scale:	NTS
Drawn by:	Pooja
Checked by:	AM
Date:	13-12-2017
Drawing Code:	WD-DD
Sheet No:	02

INTERIOR CONSULTANTS:

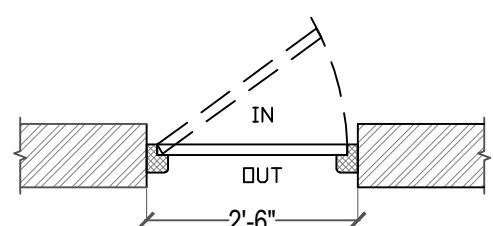
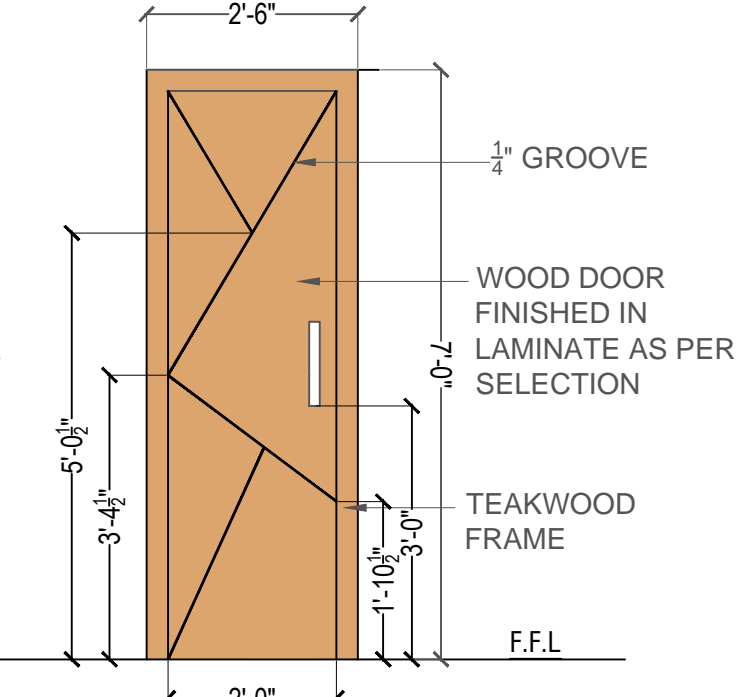
**ARDES**  
 ARCHITECTS & INTERIOR DESIGNERS  
 7-1-212,SHIV-BAGH, AMEERPET, HYDERBAD.  
 040-23753316; email: mailardes@gmail.com



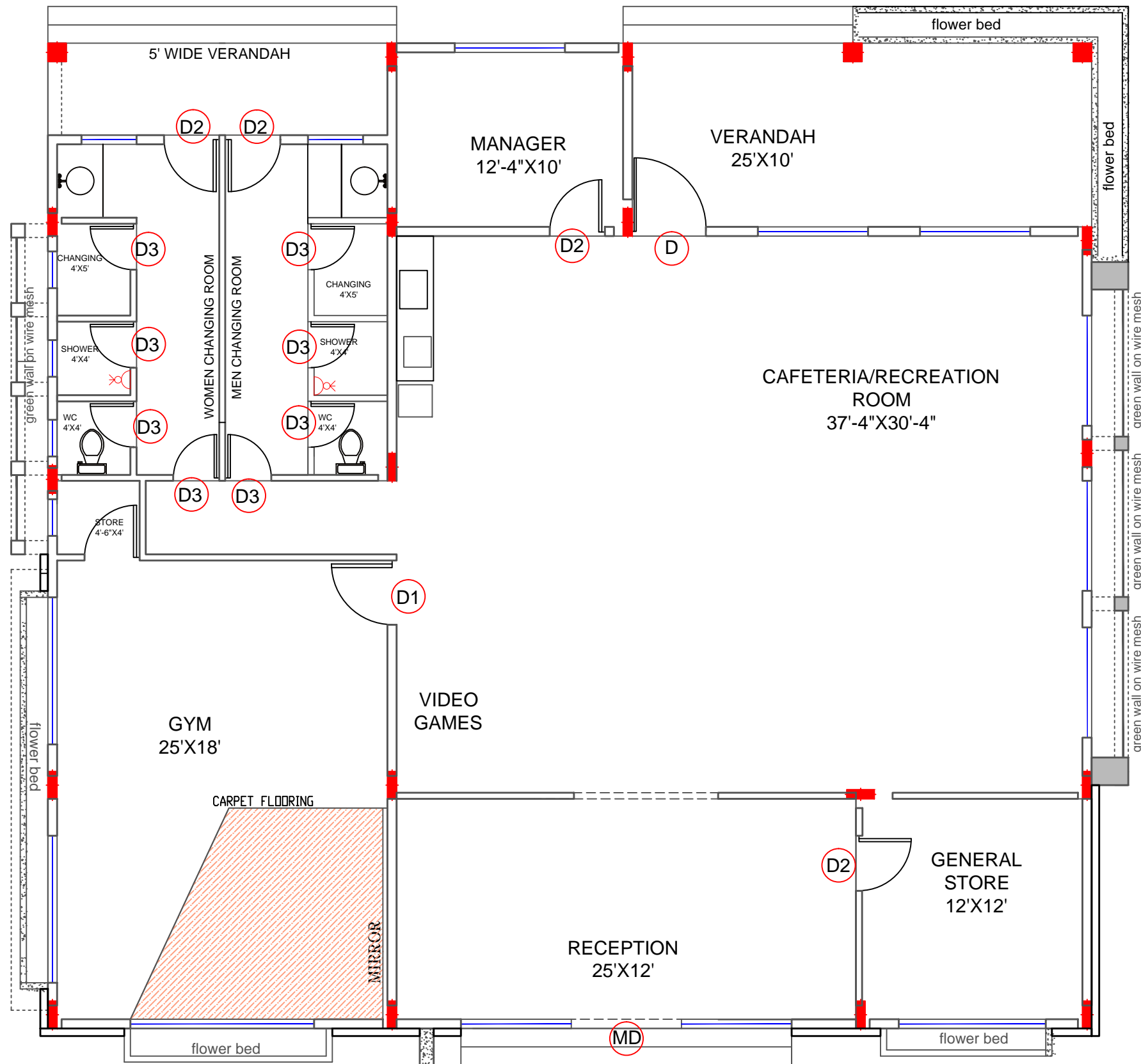
**PLAN  
 D1 - DOOR ( 1no )  
 (3'-6" X 7'-0")**



**PLAN  
 D2 - DOOR ( 2nos )  
 (3'-0 X 7'-0")**



**PLAN  
 D3 - DOOR ( 9nos )  
 (2'-6" X 7'-0")**



PROJECT  
**Serene Farms**

Yenkapalli  
Hyderabad  
###. ###. ###.

CLIENT  
Modi Properties  
###  
###. ###. ###.

TITLE  
WORKING DRAWING

S.No	DATE	S.No	DATE

DRAWING DETAILS  
Club House  
Door Details  
###

Scale:	NTS
Drawn by:	Pooja
Checked by:	AM
Date:	13-12-2017
Drawing Code:	WD-DD
Sheet No:	03

INTERIOR CONSULTANTS:

**ARDES**  
ARCHITECTS & INTERIOR DESIGNERS  
7-1-212,SHIV-BAGH, AMEERPET, HYDERBAD.  
040-23753316; email: mailardes@gmail.com