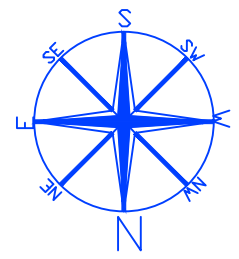


PROJECT
 SERENE FARMS
 YENKAPALLI
 HYDERABAD

CLIENT
 MODI PROPERTIES

TITLE
 ARCHITECTURAL DRAWING

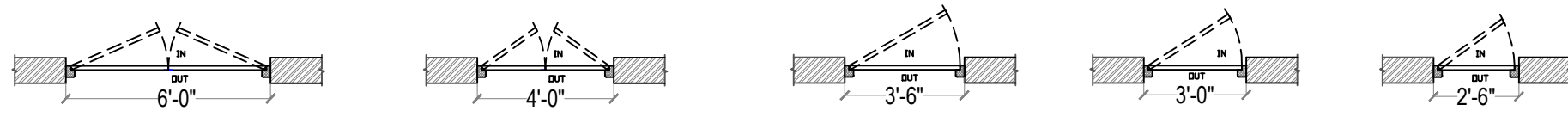
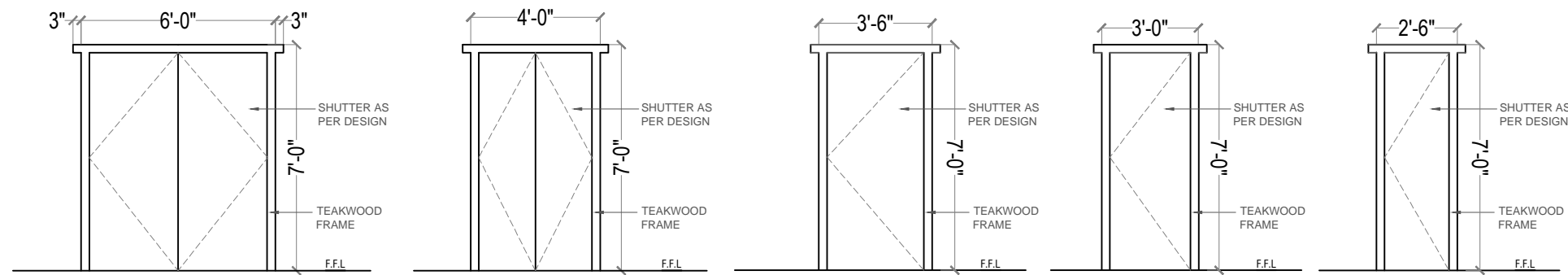


S.No	DATE	S.No	DATE

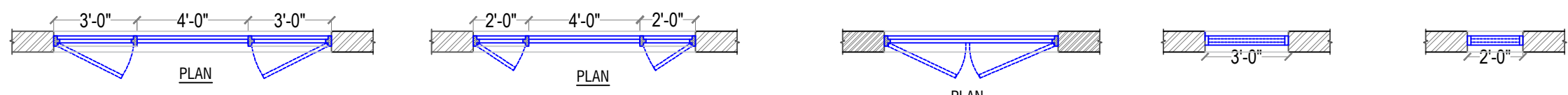
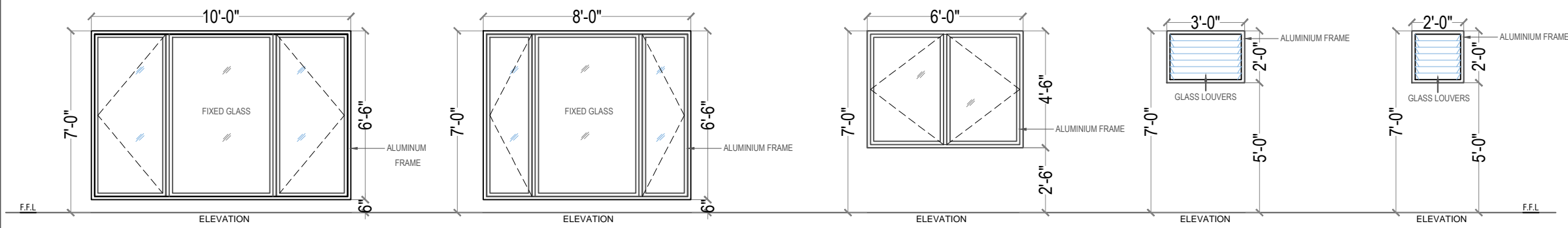
DRAWING DETAILS
 CLUB HOUSE
 SCHEDULE OPENING

Scale:	NO SCALE
Drawn by:	AM
Checked by:	AR
Date:	27-09-17
Drawing Code:	AR-CH-SC OP
Sheet No:	1

INTERIOR CONSULTANTS:
ARDES
 ARCHITECTS & INTERIOR DESIGNERS
 7-1-212,SHIV-BAGH, AMEERPET, HYDERBAD.
 040-23753316; email: mailardes@gmail.com



MD - DOOR (1no)
 (6'-0" X 7'-0")
D - DOOR (1no)
 (4'-0" X 7'-0")
D1 - DOOR (1no)
 (3'-6" X 7'-0")
D2 - DOOR (2nos)
 (3'-0" X 7'-0")
D3 - DOOR (9nos)
 (2'-6" X 7'-0")



W - WINDOW (1nos)
 (10'-0" X 6'-6")
W1 - WINDOW (3nos)
 (8'-0" X 6'-6")
W2 - WINDOW (6nos)
 (6'-0" X 4'-6")
V - VENTILATOR (2nos)
 (3'-0" X 2'-0")
V1 - VENTILATOR (4nos)
 (2'-0" X 2'-0")

PROJECT
SERENE FARMS
YENKAPALLI
HYDERABAD

CLIENT
MODI PROPERTIES

TITLE
ARCHITECTURAL DRAWING

S.No	DATE	S.No	DATE

DRAWING DETAILS
CLUB HOUSE
SCHEDULE OPENING

Scale:	NO SCALE
Drawn by:	kiran
Checked by:	AR
Date:	05-10-17
Drawing Code:	AR-CH-SC OP
Sheet No:	1

INTERIOR CONSULTANTS:

ARCHITECTS & INTERIOR DESIGNERS
 7-1-212,SHIV-BAGH, AMEERPET, HYDERBAD.
 040-23753316; email: mailardes@gmail.com