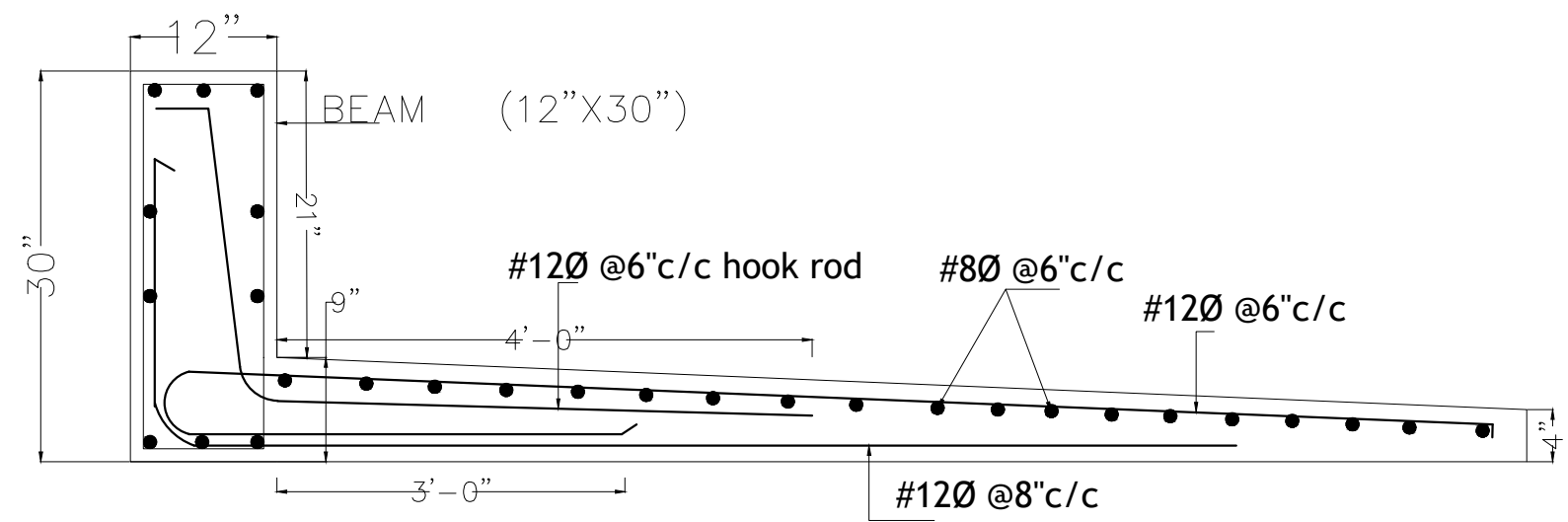
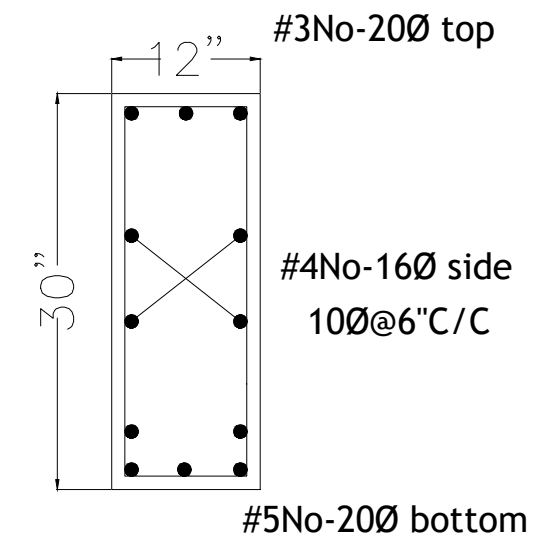
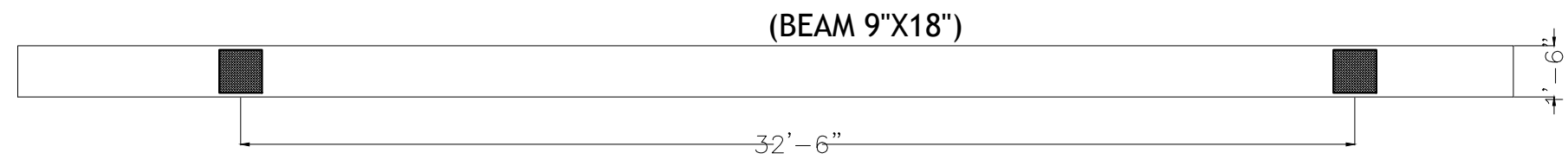


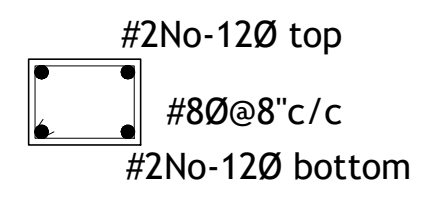
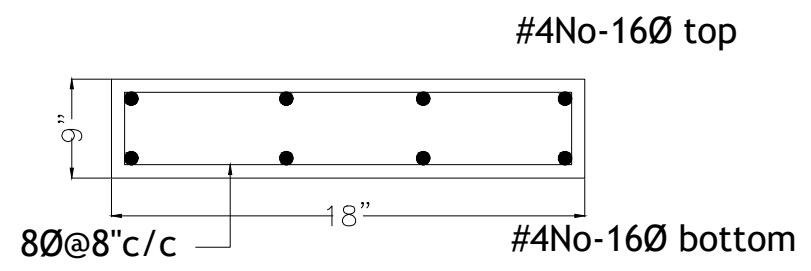
SECURITY ROOM



SECURITY ROOM SLAB



BEAM SEC (12\"/>



TIE BEAM (12\"/>

- General Notes :--
1. Use M25 (1:1:2) grade for columns & M20 (1:1.5:3) for footings, slab & Beams
  2. Use FE500 grade tor steel.
  3. Provide clear cover of 2" for footings & 1.5" for columns.
  4. S.B.C of the Soil is taken as
  5. Footings are designed for Ground floor.
  6. Provide clear cover of 1" for beams
  7. Read horizontal beams from left to right & vertical from bottom to left.
  8. Crank +ve bars at L/4 th of span & extend -ve bars L/5 th of span.
  9. Do not over lap bottom rods at center and top rods at support.
  10. Slab thickness

DESCRIPTION	DATE

Client	MODI PROPERTIES & INVESTMENTS PVT.LTD		
Project	PROPOSED FARM HOUSE AT YENKAPALLY		
STRUCTURAL CONSULTANT	<b>KULKARNI CONSULTANTS</b> STRUCTURAL ENGINEERS, ARCHITECTS & PROJECT CONSULTANTS #216, KUBBERA TOWERS, NARAYAN GUUDA, HYDERABAD. CONTACT NOS:- 04893223891, 99486343234, 99246343230.		
DATE	18-8-2016	VILLA	
DEALT BY	PAWAN	TITLE: SECURITY ROOM SLAB	
DESIGN BY		DWG. NO.	KC/FH/SD/2
CHECKED BY		REV. No.	0
APPROVED BY	KULKARNI		