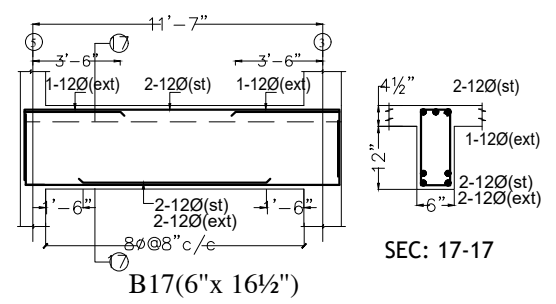
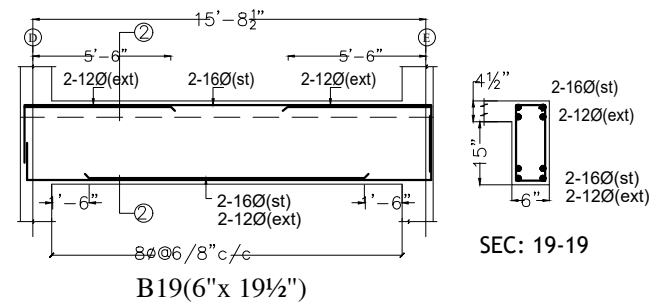
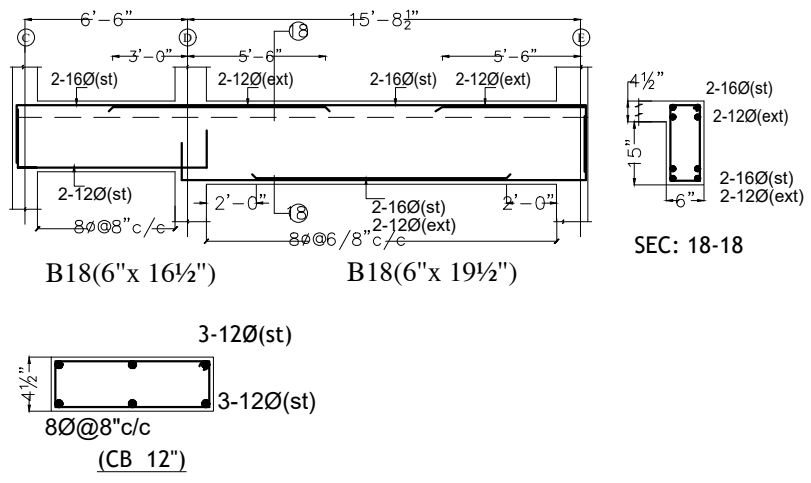



SLAB DETAILS



- General Notes : --
1. Use M25 (1:1:2) grade for columns & M20 (1:1.5:3) for footings, slab & Beams
  2. Use FE500 grade tor steel.
  3. Provide clear cover of 2" for footings & 1.5" for columns.
  4. S.B.C of the Soil is taken as
  5. Footings are designed for Ground floor.
  6. Provide clear cover of 1" for beams
  7. Read horizontal beams from left to right & vertical from bottom to left.
  8. crank +ve bars at L/4 th of span & extend -ve bars L/5 th of span.
  9. Do not over lap bottom rods at center and top rods at support.
  10. Slab thickness

DESCRIPTION	DATE



Client	MODI PROPERTIES & INVESTMENTS PVT.LTD
Project	PROPOSED FARM HOUSE AT YENKAPALLY
STRUCTURAL CONSULTANT	 <b>KULKARNI CONSULTANTS'S</b> STRUCTURAL ENGINEERS, ARCHITECTS & PROJECT CONSULTANTS'S #216, KUBERA TOWER'S, NARAYAN GUDA, HYDERABAD. CONTACT NO'S:- 04023223891, 09246343724, 09246343720.
DATE	17-4-2017
DEALT BY	PAWAN
DESIGN BY	
CHECKED & APPROVED	KULKARNI
VILLA (PLOT NO. 46)	
TITLE: SLAB BEAM DETAILS (kitchen extension)	
DWG. NO.	KC/FH/SD/7A
REV. No.	0