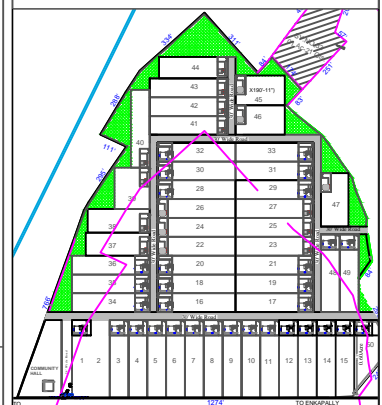


PROJECT
 SERENE FARMS
 YENKAPALLI
 HYDERABAD

CLIENT
 MODI PROPERTIES

TITLE
 ARCHITECTURAL DRAWING



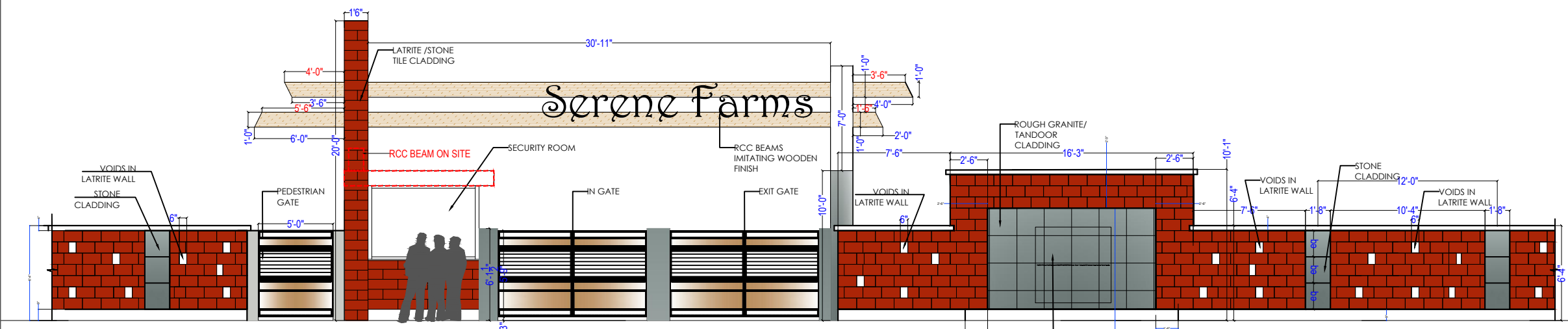
S.No	DATE	S.No	DATE

DRAWING DETAILS
 Site Entry
 compound wall design

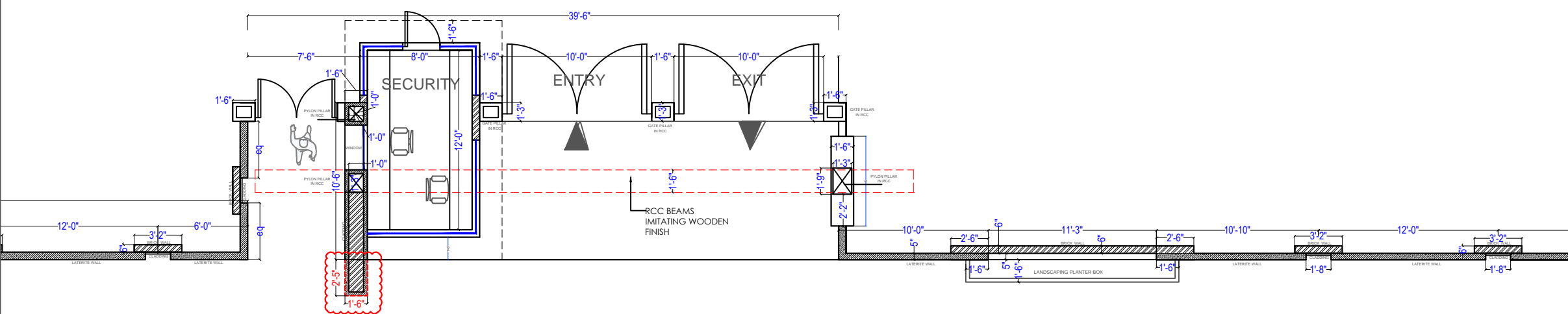
Scale:	NO SCALE
Drawn by:	AM
Checked by:	AR
Date:	27.10.16 ; 080316
Drawing Code:	AR-Entrance
Sheet No:	1

INTERIOR CONSULTANTS:

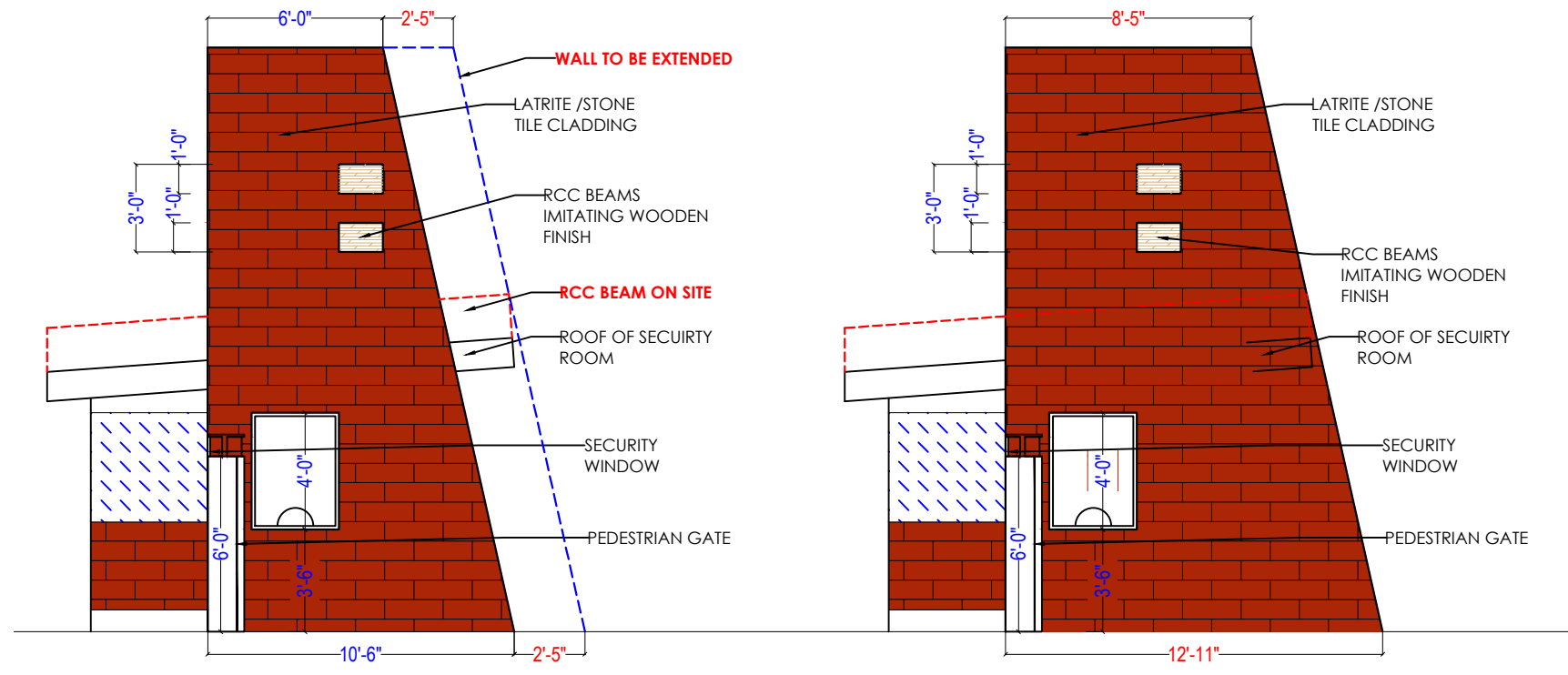
ARDES
 ARCHITECTS & INTERIOR DESIGNERS
 7-1-212,SHIV-BAGH, AMEERPET, HYDERBAD.
 040-23753316; email: mailardes@gmail.com



FRONT ELEVATION

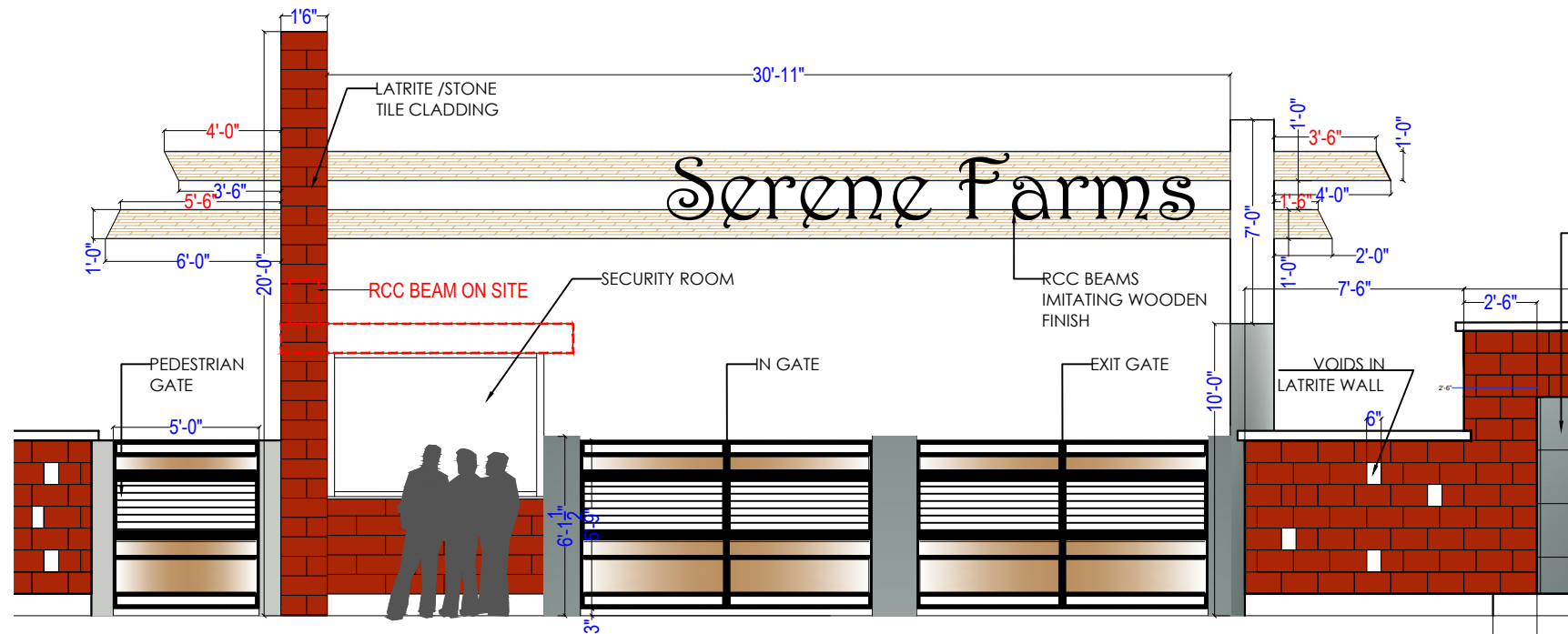


PEDESTRIAN ENTRY
 ENTRY AREA PLAN



SIDE ELEVATION

SIDE ELEVATION REVISED

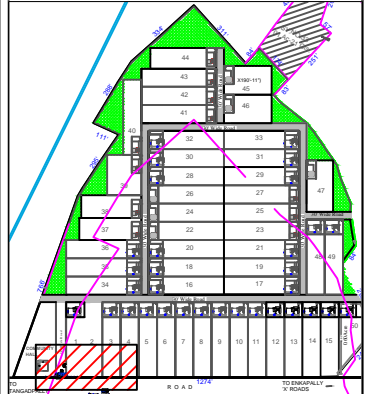


FRONT ELEVATION

PROJECT
SERENE FARMS
 YENKAPALLI
 HYDERABAD

CLIENT
MODI PROPERTIES

TITLE
ARCHITECTURAL DRAWING



S.No	DATE	S.No	DATE

DRAWING DETAILS
 Site Entry
 entry arch

Scale:	NO SCALE
Drawn by:	AM
Checked by:	AR
Date:	27.10.17 ; 080316
Drawing Code:	AR-Entrance
Sheet No:	1

INTERIOR CONSULTANTS:
ARDES
 ARCHITECTS & INTERIOR DESIGNERS
 7-1-212,SHIV-BAGH, AMEERPET, HYDERBAD.
 040-23753316; email: mailardes@gmail.com