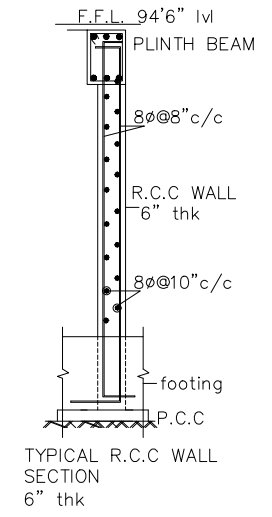
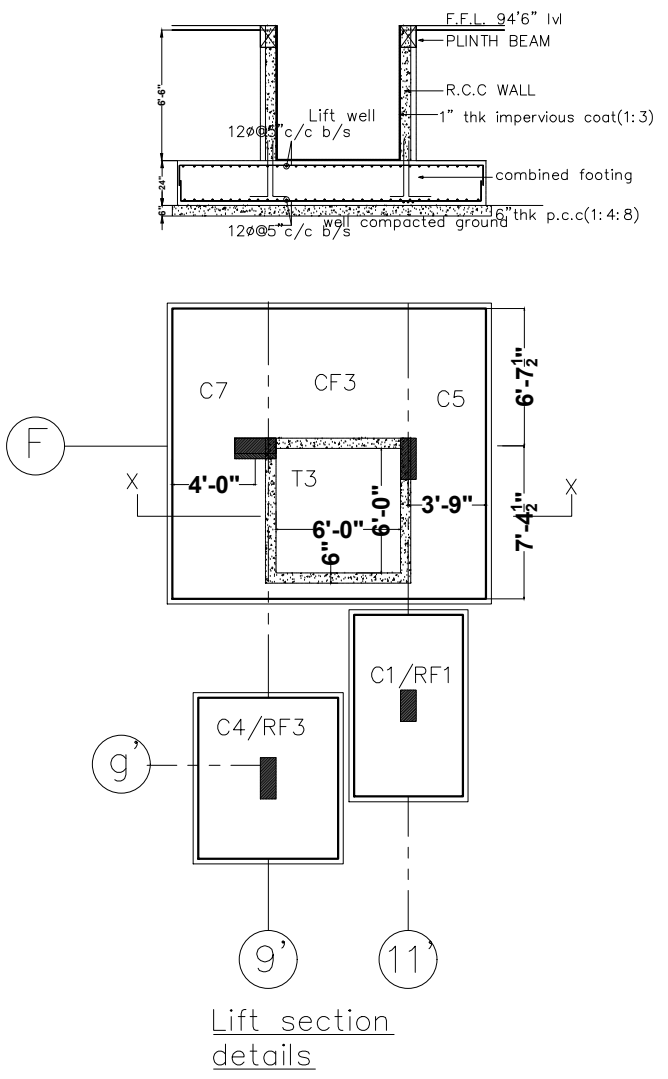
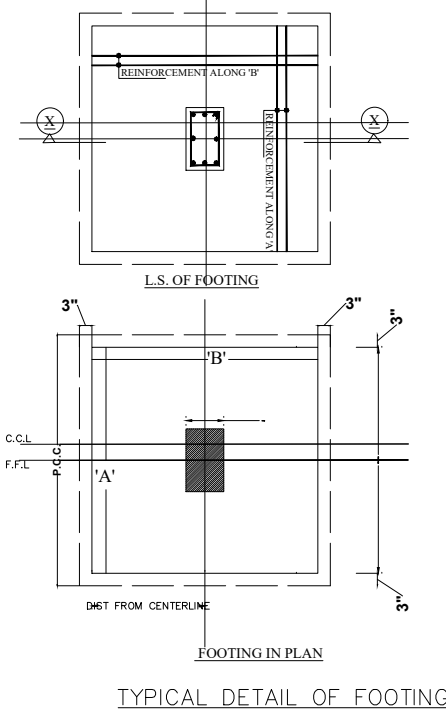
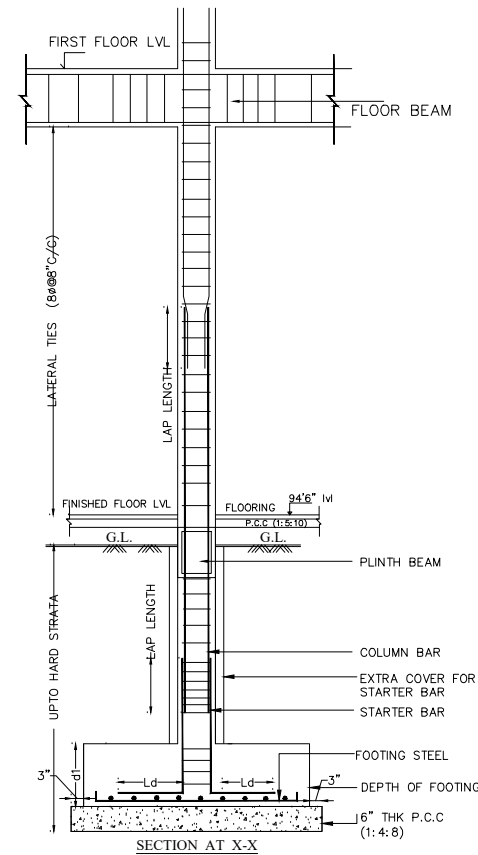
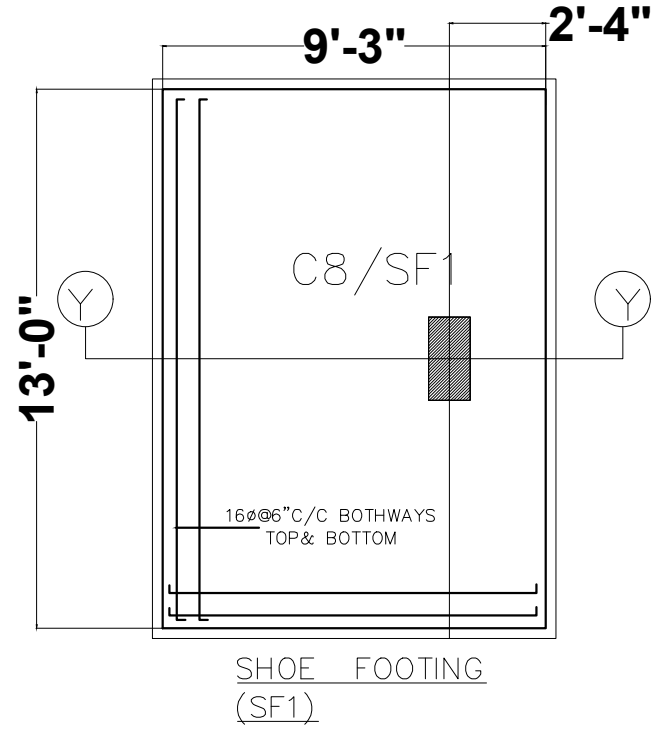
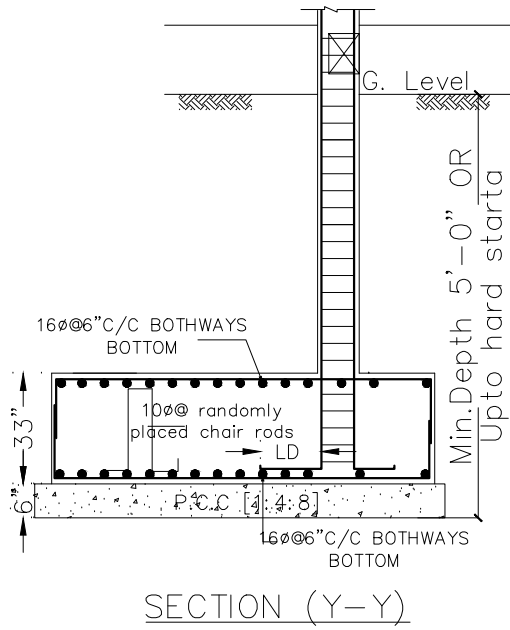


PRODUCED BY AN AUTODESK STUDENT VERSION

PRODUCED BY AN AUTODESK STUDENT VERSION



- NOTE:
- Do not scale this drawing follow figured dimensions
 - All dimensions are in feet n inches only
 - Use vibrated reinforced concrete of mix M20 for footings, & M25 for columns and pedestal conforming to is 456-2000
 - Use hysd bars of fe -500 as per is 1786-85
 - Lap lengths recommended for reinforcement
 - This building is designed for Cellar, Ground + Four floors only.
 - S.B.C. of soil is 300 Kn/sqm
 - Any loose or protruding builders shall be removed before laying foundation concrete and shall be filled with p.c.c.
 - Wherever necessary drilling shall be resorted to in hard sheet rock only
 - Concrete shall be vibrated for obtaining optimum density.
 - The difference in levels of depth of adjacent footing shall not be greater than half the clear distance between them.
 - Provide clear cover for footings 2", columns 1 1/2",
 - The cover shall be provided to all reinforcements including ties and stirrups wired cover blocks of same grade of concrete and duly cured.
 - Use vibrated reinforced concrete of mix M20 for footings, & M25 for columns and pedestal conforming to is 456-2000
 - Use hysd bars of fe -500 as per is 1786-85
 - Any drawing should be read in conjunction with relevant architectural drawing.
 - All dimensions shall be verified by the engineer in charge before laying concrete with respect to Architectural dwg.
 - The provisions made in is; 456-2000 and sp-34 and other relevant codes should be strictly adhered during execution.
 - If any variation in soil strata found during the execution of the foundation soils, when compared with the considered strata it should brought to the notice of engineer in charge and consultants for revising foundations.

1.	REVISED	9-10-15
DESCRIPTION		DATE
GOOD FOR CONSTRUCTION		
Client	MODI PROPERTIES & INVESTMENTS PVT.LTD	
Project	VISTA HOMES (E(2) - BLOCK)	
STRUCTURAL CONSULTANT	KULKARNI CONSULTANT'S STRUCTURAL ENGINEERS, ARCHITECTS & PROJECT CONSULTANT'S #216, RUBISA TOWER'S, NARAYAN GUJA, HYDERABAD. CONTACT NO'S: 04023223891, 09246343724, 09246343720.	
DATE	04-06-2019	
DEALT BY	SANISH	
DESIGN BY	SANTOSH	
CHECKED & APPROVED	KULKARNI	
TITLE:		COLUMN FOOTING DETAILS
DWG. NO.	KC/MBC/SD/	REV. No.
		2