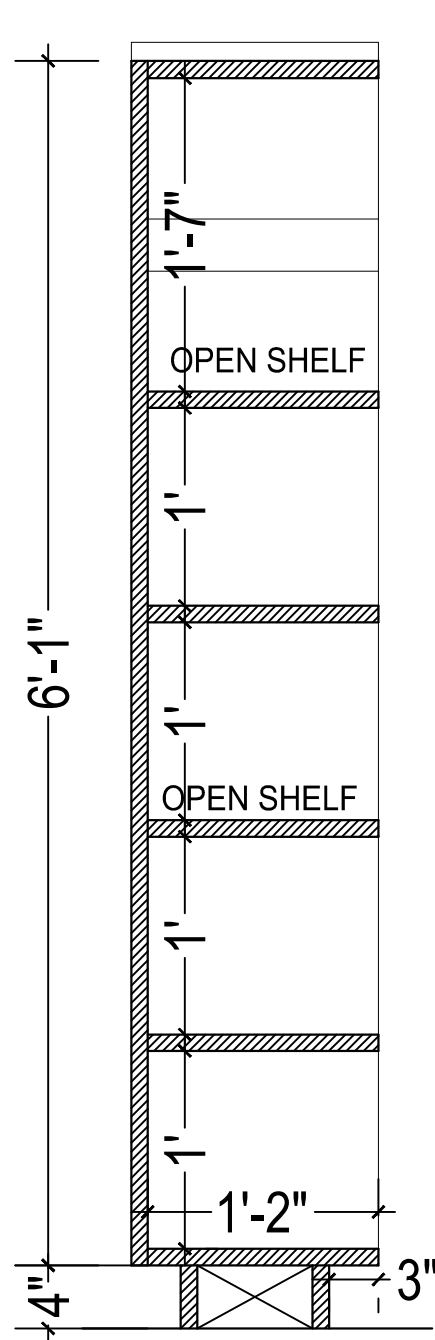
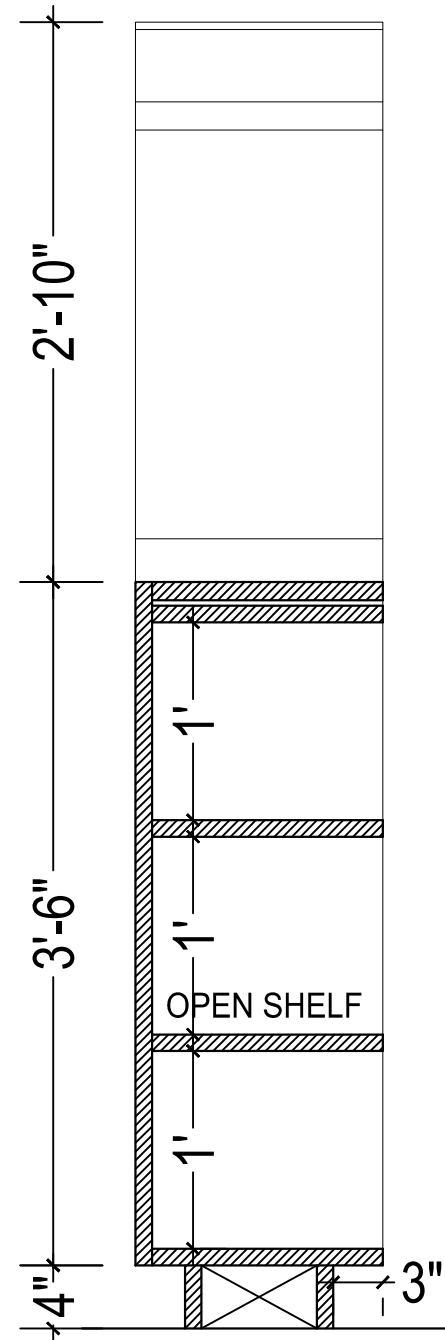


SECTIONAL ELEVATION



SECTION AA'



SECTION BB'

CD10 FIRST FLOOR
CRECHE -OPEN STORAGE UNIT
 4'-9" x 1'-3"

PROJECT			
VILLA ORCHIDS			
KOWKUR SEC-BAD			
CLIENT			
MODI PROPERTIES & INVESTMENTS PRIVATE LIMITED			
TITLE			
ARCHITECTURAL DRAWING			
SNO.	CARPENTRY ITEMS	DETAIL	
1.	Library storage unit	CD7, CD8	
2.	Creche storage unit	CD9, CD10	
3.	Creche pantry unit	CD11	
4.	Gym storage	CD12	
5.	Yoga storage	CD13	
6.	Entertainment storage unit	CD14	
7.	Banquet storage unit	CD15	
S.No	DATE	S.No	DATE
DRAWING DETAILS			
CLUB HOUSE			
FURNITURE DETAILS			
FIRST FLOOR			
Scale:	NTS		
Drawn by:	KRANTHI		
Checked by:	AR		
Date:	19-04-2018		
Drawing Code:	VOC-CH-CD		
Sheet No:	10		
INTERIOR CONSULTANTS:			
ARCHITECTS & INTERIOR DESIGNERS			
7-1-212, SHIV-BAGH, AMEERPET, HYDERBAD.			