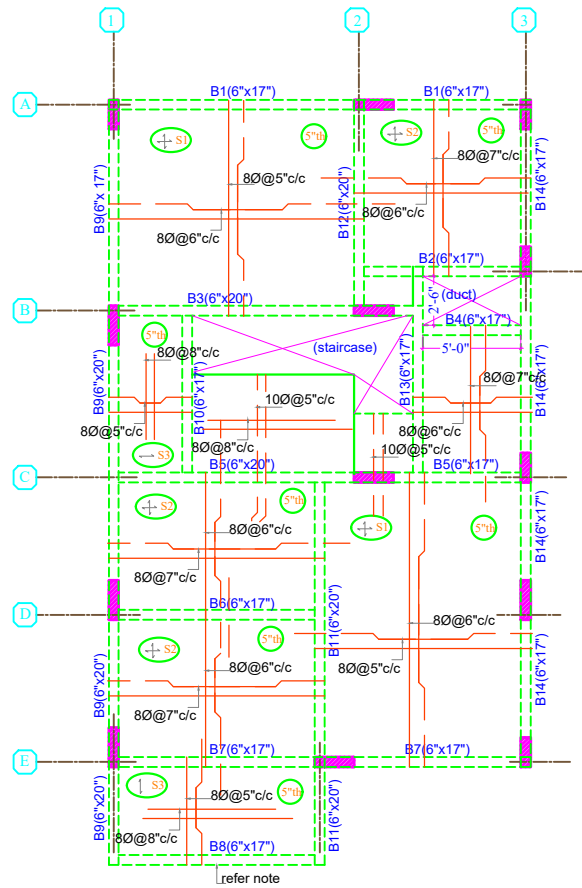
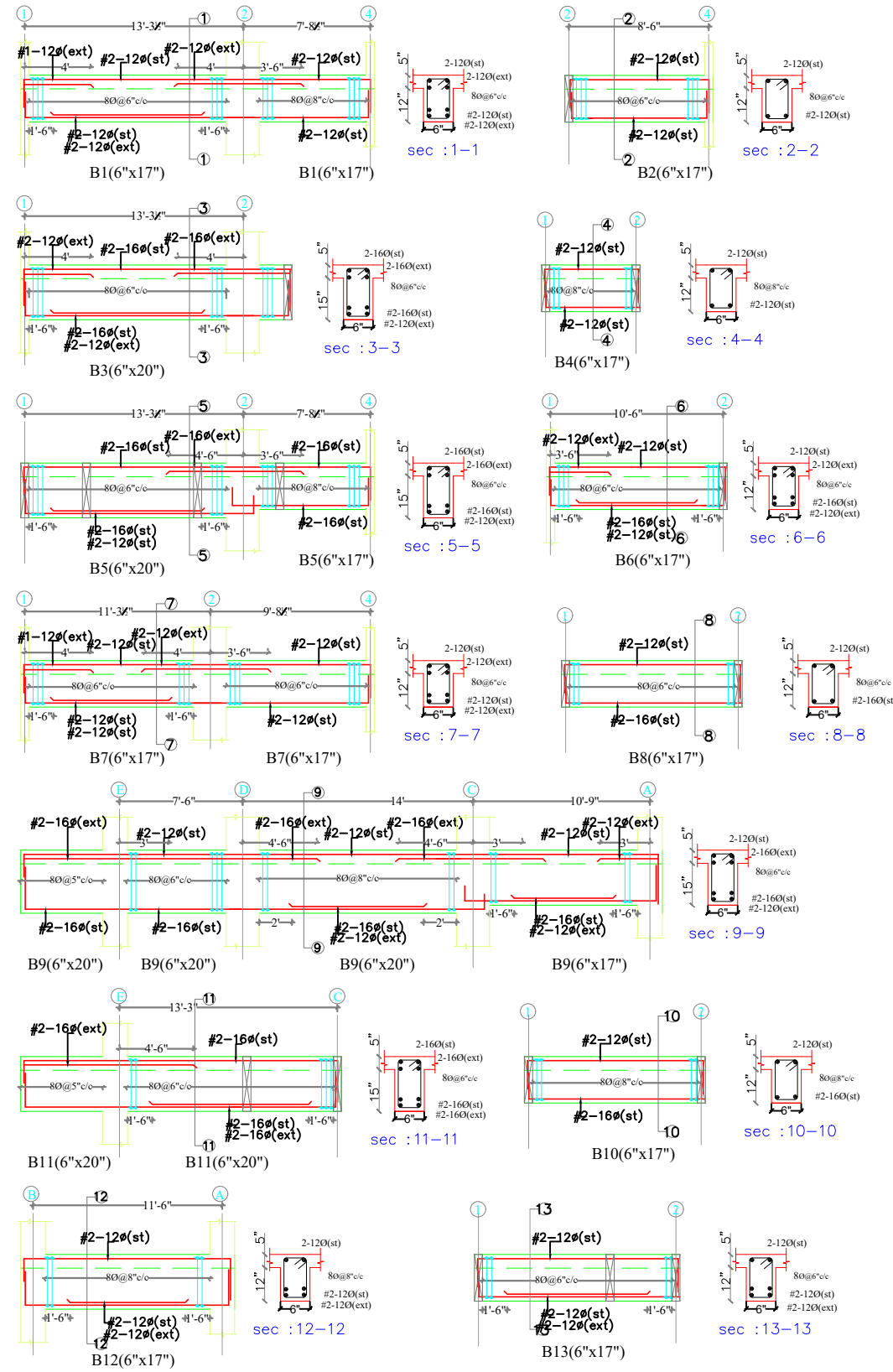
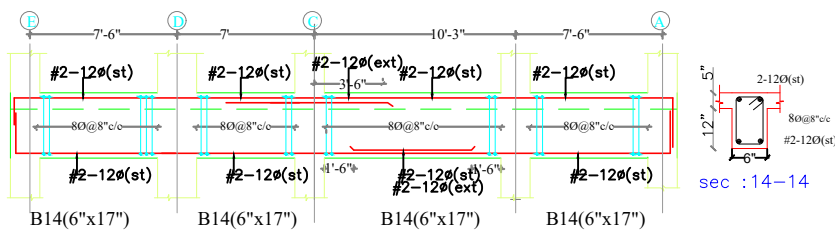


PRODUCED BY AN AUTODESK STUDENT VERSION

PRODUCED BY AN AUTODESK STUDENT VERSION

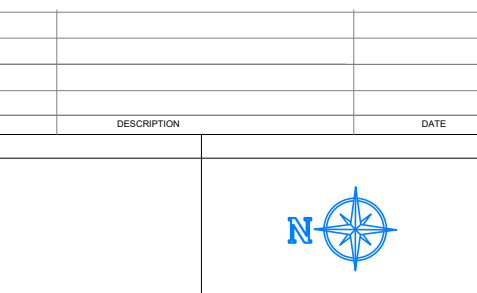


SCHEDULE OF SLABS				
SLAB MARK	THICKNESS	TYPE	REINFORCEMENT STEEL AT	
			SHORT SPAN	LONG SPAN
S1	5"	+	80 @ 5" C/C	80 @ 6" C/C
S2	5"	+	80 @ 6" C/C	80 @ 7" C/C
S3	5"	+	80 @ 5" C/C	80 @ 8" C/C
S4	5"	+	100 @ 5" C/C	80 @ 8" C/C



- General Notes : ---
1. Use M20 (1:1.5:3) for slab & Beams
 2. Use FE 500 grade tor steel.
 3. Provide clear cover of 1" for beams & 3/4" slab
 4. Read horizontal beam from left to right & vertical beam from bottom to top.
 5. crank +ve bars at L/4 th of span & extend -ve bars L/5 th of span.
 6. Do not over lap bottom rods at center and top rods at support.

Note :- Cantilever slab end should be raised by 1"



Client	MODI PROPERTIES & INVESTMENTS PVT.LTD
Project	VILLA ORCHIDS (KOWKUR)
STRUCTURAL CONSULTANT	KULKARNI CONSULTANTS STRUCTURAL ENGINEERS, ARCHITECTS & PROJECT CONSULTANTS #216, KUBERA TOWER'S, NARAYAN GUDA, HYDERABAD. CONTACT NO'S:- 04023223891, 09246343724, 09246343720.
ARCHITECT	ARDES ARCHITECTS & INTERIOR DESIGNERS 7-1-212, SHYVA-BAGH, AMIZEPET, HYDRABAD. 040-23753316
DATE	8-09-2017
DEALT BY	PAWAN
DESIGN BY	SANTOSH
CHECKED BY	
APPROVED	KULKARNI
TYPE (D2)	GROUND FLOOR SLAB & BEAM DETAILS
TITLE	GROUND FLOOR SLAB & BEAM DETAILS
DWG. NO.	KC/SD/V0R/3
REV. No.	0