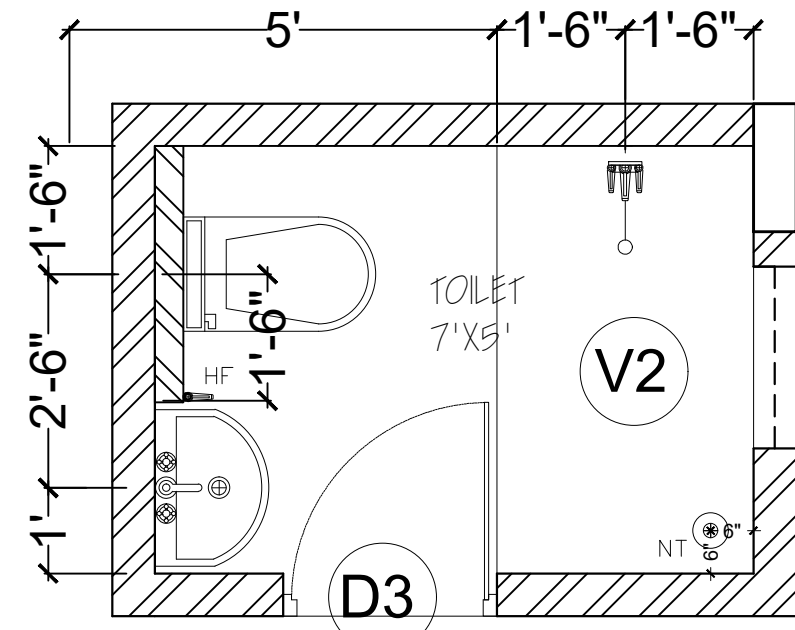
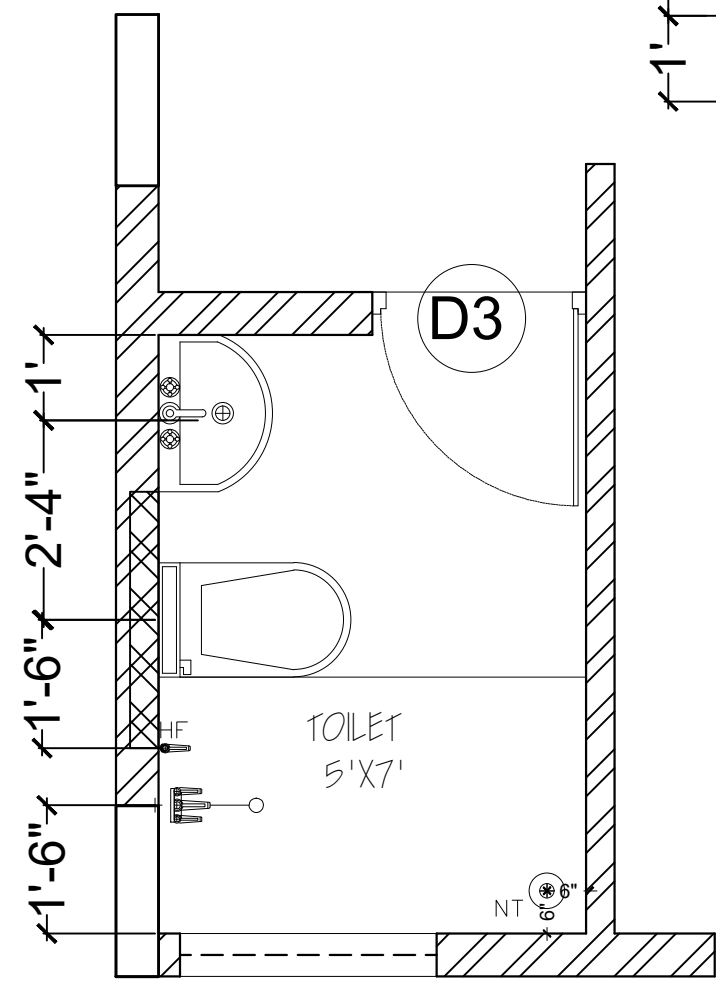


TOILET - GROUND FLOOR



TOILET - FIRST FLOOR



TOILET - FIRST FLOOR

| | | | | |
|----------------------------|-----------|----------------------------|--------------------------|---|
| Description | Direction | Owners & Developers : | Date : | Promoted by |
| TYPE - C1 TOILET LAYOUT | | Modi Properties , Pvt Ltd. | Prepared By : Ar.Rahul | Modi Properties & Investments Pvt. Ltd. Phone:+91-40-66335551 |
| | | Project Name & Phase : | Approved By : Soham Modi | |
| | | VILLA ORCHIDS , Kowkur | Scale : N.T.S | |