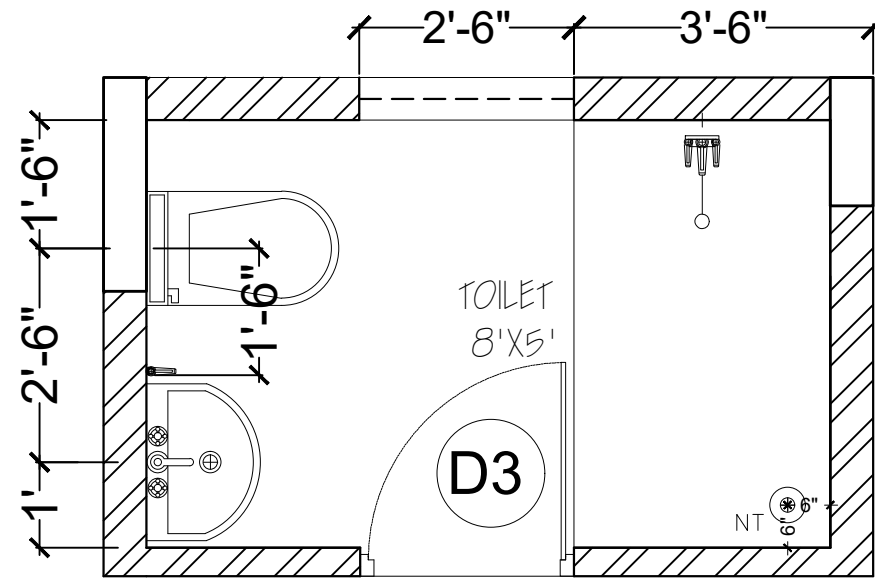
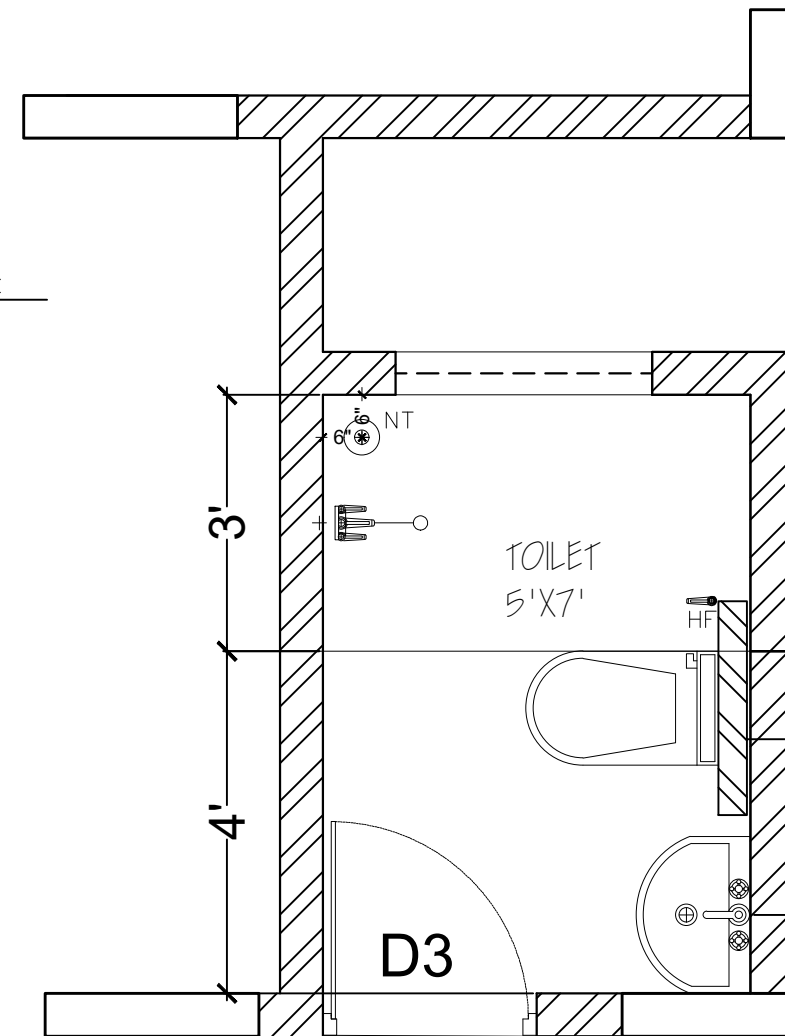
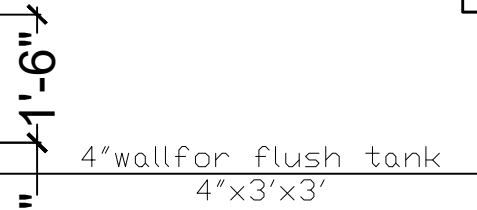


TOILET - GROUND FLOOR



TOILET - FIRST FLOOR



TOILET - FIRST FLOOR

Description	Direction	Owners & Developers :	Date :	Promoted by
TYPE - C2 TOILET LAYOUT	N	Modi Properties , Pvt Ltd.	Prepared By : Ar.Rahul	Modi Properties & Investments Pvt. Ltd. Phone:+91-40-66335551
		Project Name & Phase :	Approved By : Soham Modi	
		VILLA ORCHIDS , Kowkur	Scale : N.T.S	