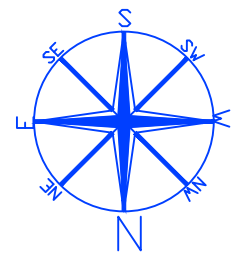


PROJECT
 SERENE FARMS
 YENKAPALLI
 HYDERABAD

CLIENT
 MODI PROPERTIES

TITLE
 ARCHITECTURAL DRAWING

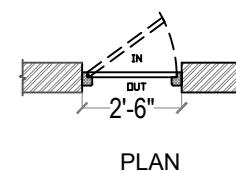
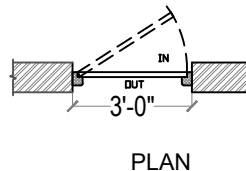
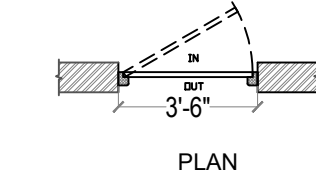
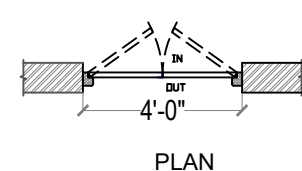
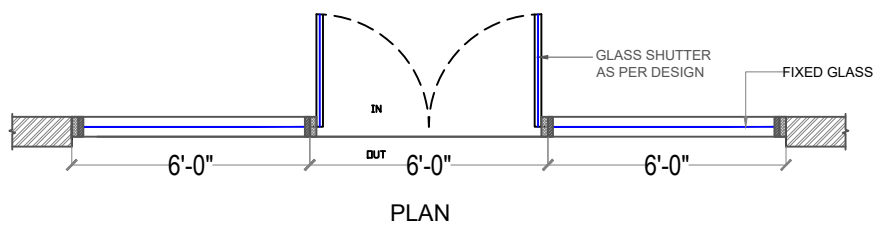
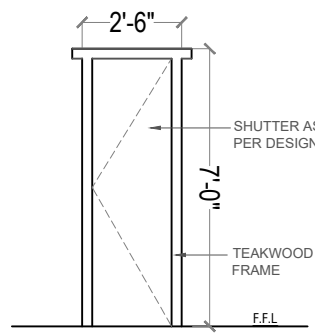
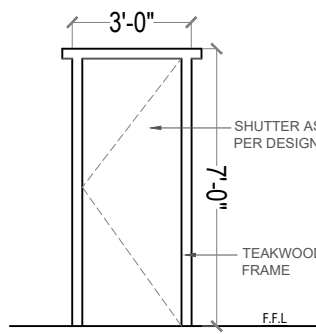
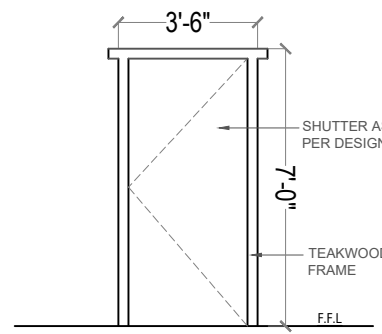
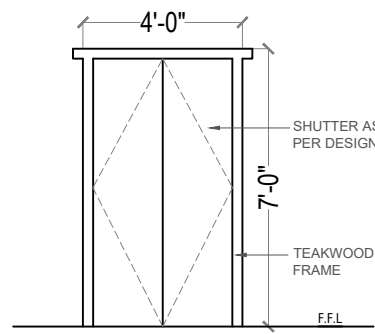
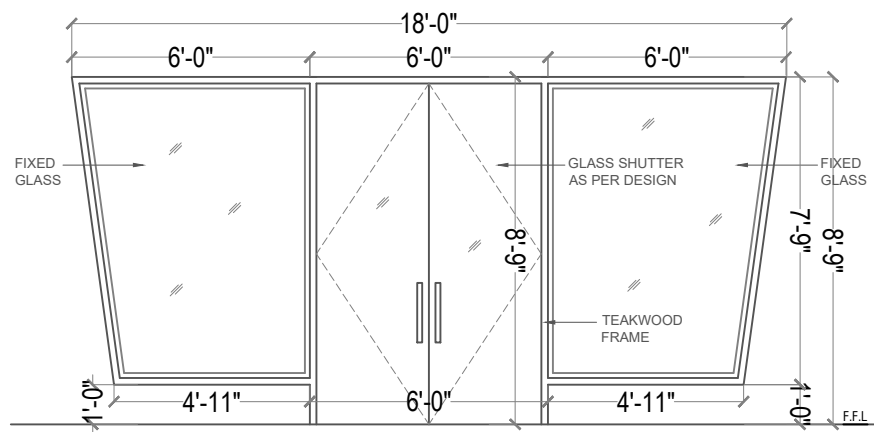


S.No	DATE	S.No	DATE

DRAWING DETAILS
 CLUB HOUSE
 SCHEDULE OPENING

Scale:	NO SCALE
Drawn by:	SAROJ
Checked by:	AR
Date:	06-11-17 ; 27-09-17
Drawing Code:	AR-CH-SC OP
Sheet No:	1

INTERIOR CONSULTANTS:
ARDES
 ARCHITECTS & INTERIOR DESIGNERS
 7-1-212,SHIV-BAGH, AMEERPET, HYDERBAD.
 040-23753316; email: mailardes@gmail.com



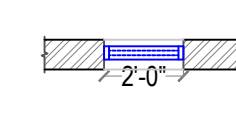
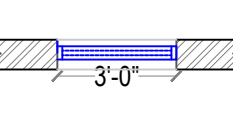
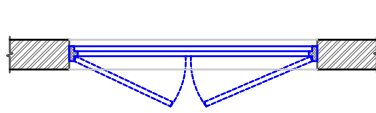
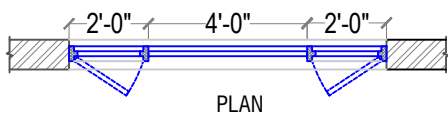
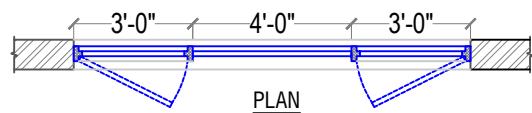
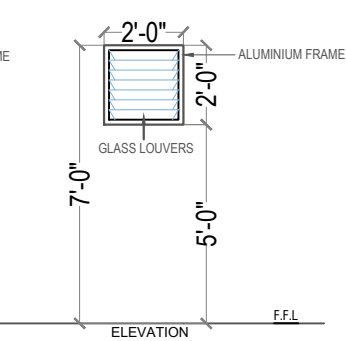
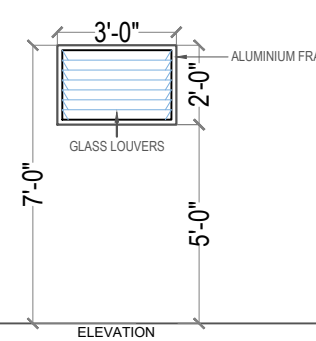
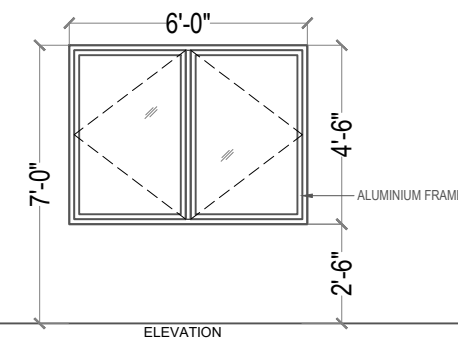
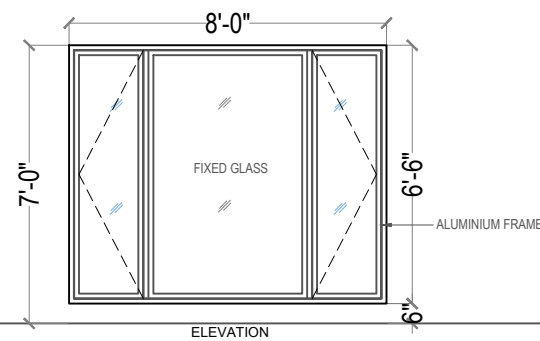
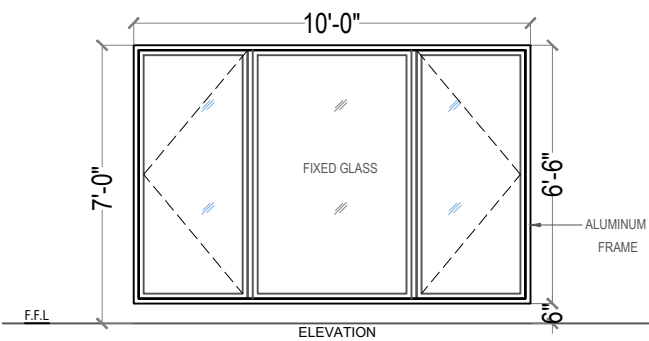
MD - DOOR (1no)
(6'-0" X 8'-9")
WD - W3 (2nos)
dimensions as per elevation

D - DOOR (1no)
(4'-0" X 7'-0")

D1 - DOOR (1no)
(3'-6" X 7'-0")

D2 - DOOR (2nos)
(3'-0" X 7'-0")

D3 - DOOR (9nos)
(2'-6" X 7'-0")



W - WINDOW (1nos)
(10'-0" X 6'-6")

W1 - WINDOW (3nos)
(8'-0" X 6'-6")

W2 - WINDOW (6nos)
(6'-0" X 4'-6")

V - VENTILATOR (2nos)
(3'-0" X 2'-0")

V1 - VENTILATOR (4nos)
(2'-0" X 2'-0")

PROJECT
SERENE FARMS
YENKAPALLI
HYDERABAD

CLIENT
MODI PROPERTIES

TITLE
ARCHITECTURAL DRAWING

S.No	DATE	S.No	DATE

DRAWING DETAILS
CLUB HOUSE
SCHEDULE OPENING

Scale:	NO SCALE
Drawn by:	saroj
Checked by:	AR
Date:	06-11-17 ; 05-10-17
Drawing Code:	AR-CH-SC OP
Sheet No:	1

INTERIOR CONSULTANTS:

ARDES
ARCHITECTS & INTERIOR DESIGNERS

7-1-212,SHIV-BAGH, AMEERPET, HYDERABAD.
040-23753316; email: mailardes@gmail.com