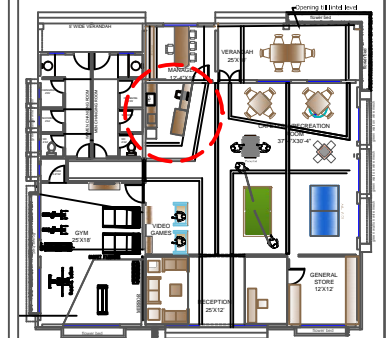


PROJECT  
 SERENE FARMS  
 CLUB HOUSE INTERIORS  
 YENKAPALLY

CLIENT  
 MODI PROPERTIES

TITLE  
 INTERIOR DRAWING

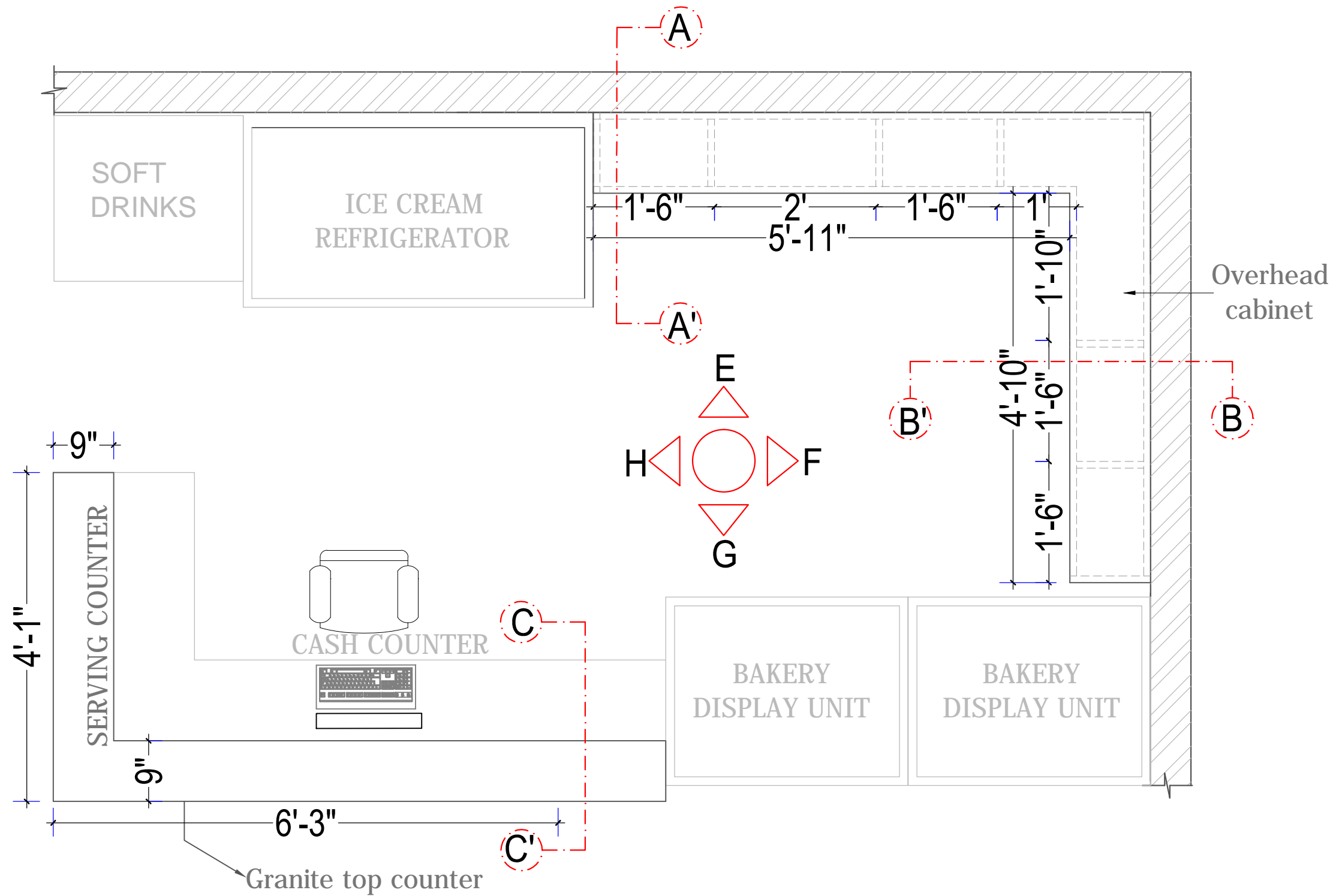


| S.No | DATE | S.No | DATE |
|------|------|------|------|
|      |      |      |      |
|      |      |      |      |

DRAWING DETAILS  
 FURNITURE DRAWING

|               |            |
|---------------|------------|
| Scale:        | 1:200      |
| Drawn by:     | KRANTHI    |
| Checked by:   | AR         |
| Date:         | 11-04-2018 |
| Drawing Code: | FUR-DWG    |
| Sheet No:     | 01         |

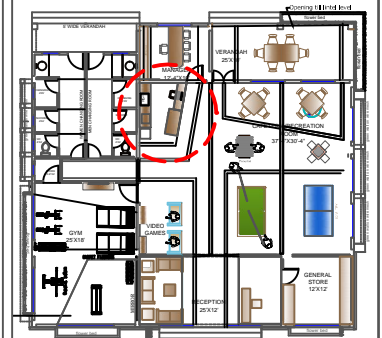
INTERIOR CONSULTANTS:  
**ARDES**  
 ARCHITECTS & INTERIOR DESIGNERS  
 7-1-212,SHIV-BAGH, AMEERPET, HYDERBAD.  
 040-23753316; email: mailardes@gmail.com



PROJECT  
 SERENE FARMS  
 CLUB HOUSE INTERIORS  
 YENKAPALLY

CLIENT  
 MODI PROPERTIES

TITLE  
 INTERIOR DRAWING

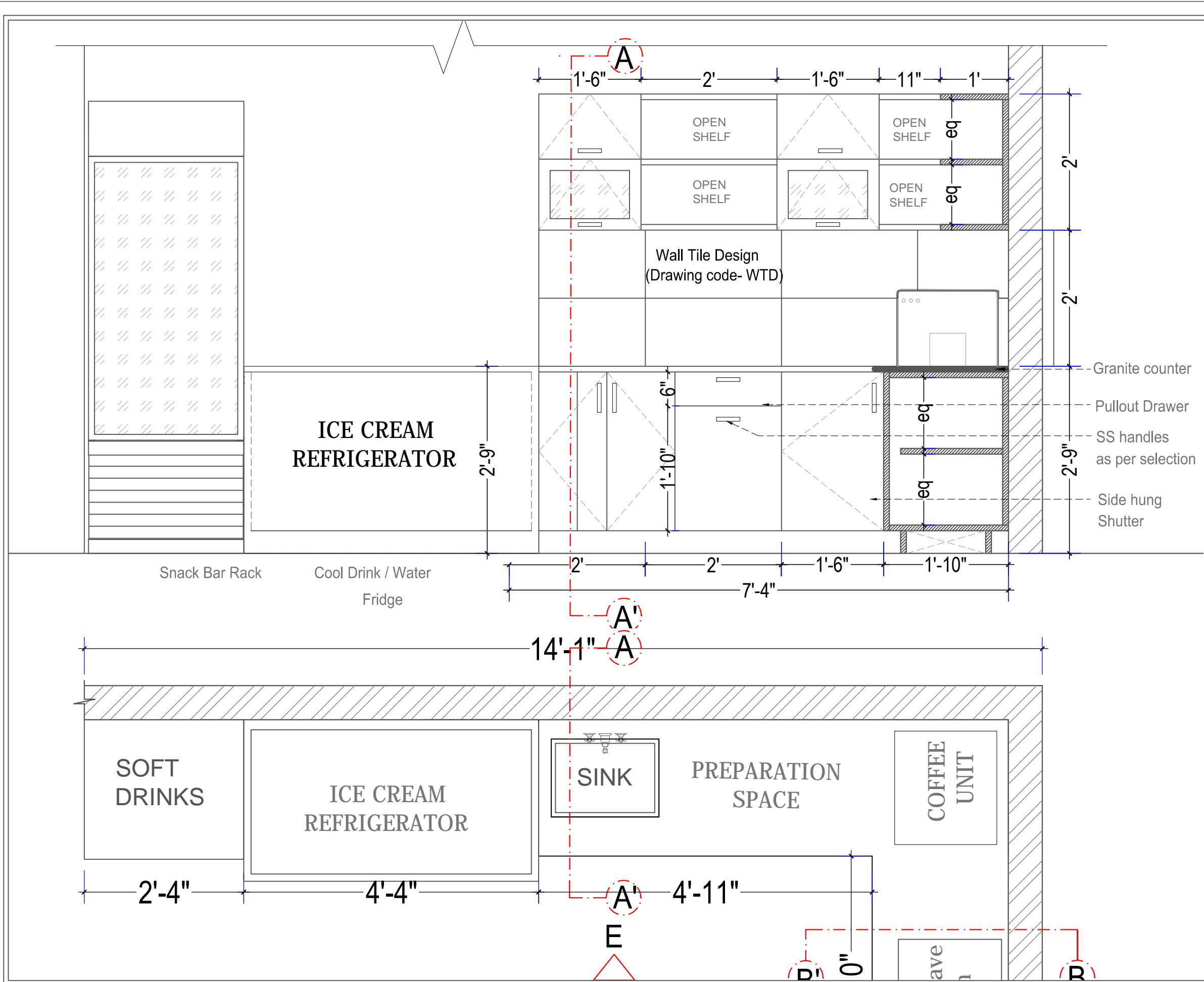


| S.No | DATE | S.No | DATE |
|------|------|------|------|
|      |      |      |      |
|      |      |      |      |

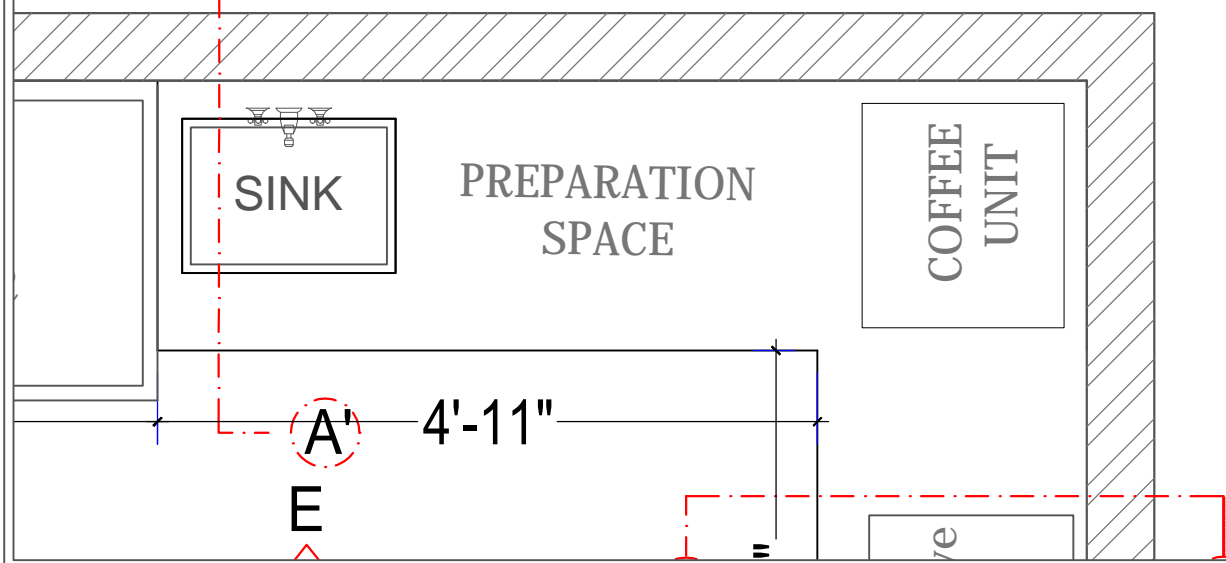
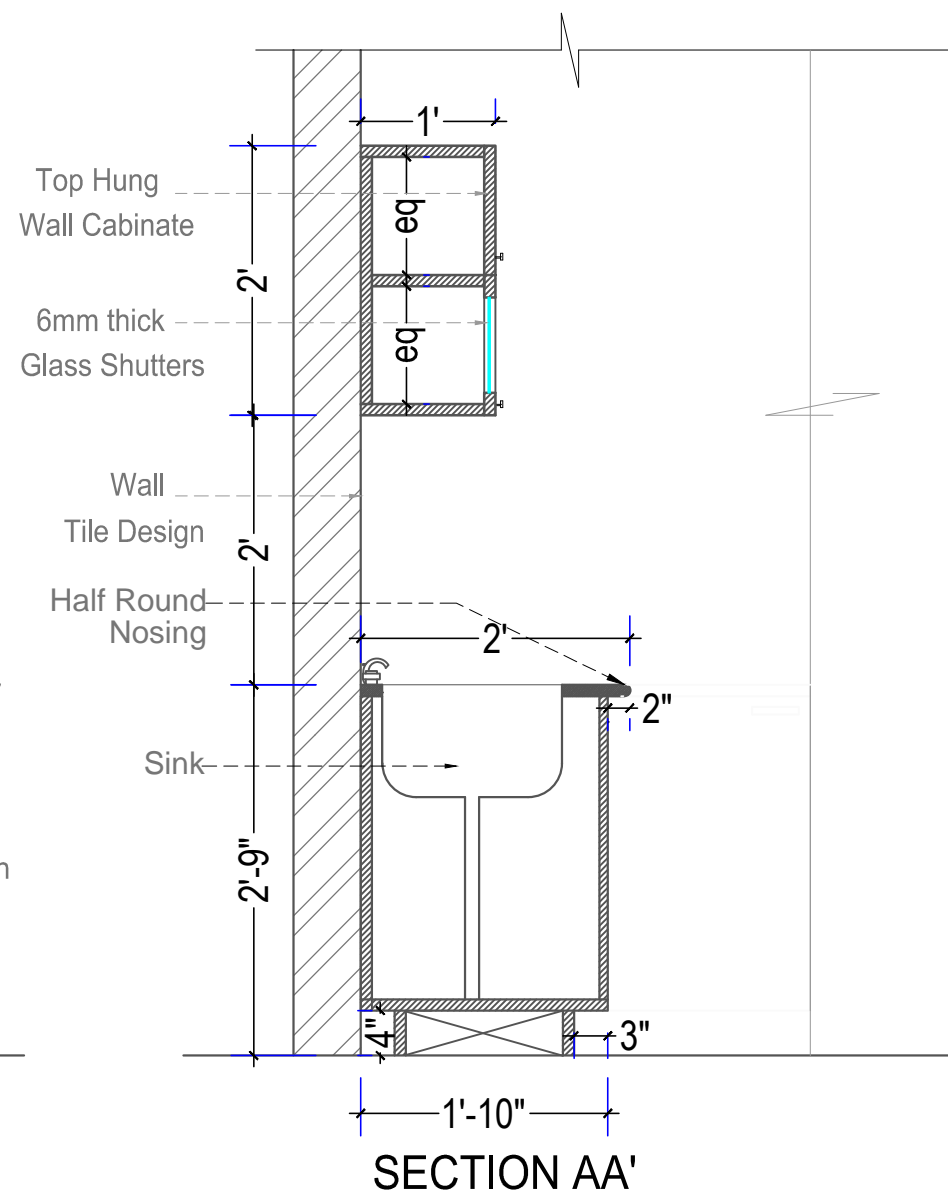
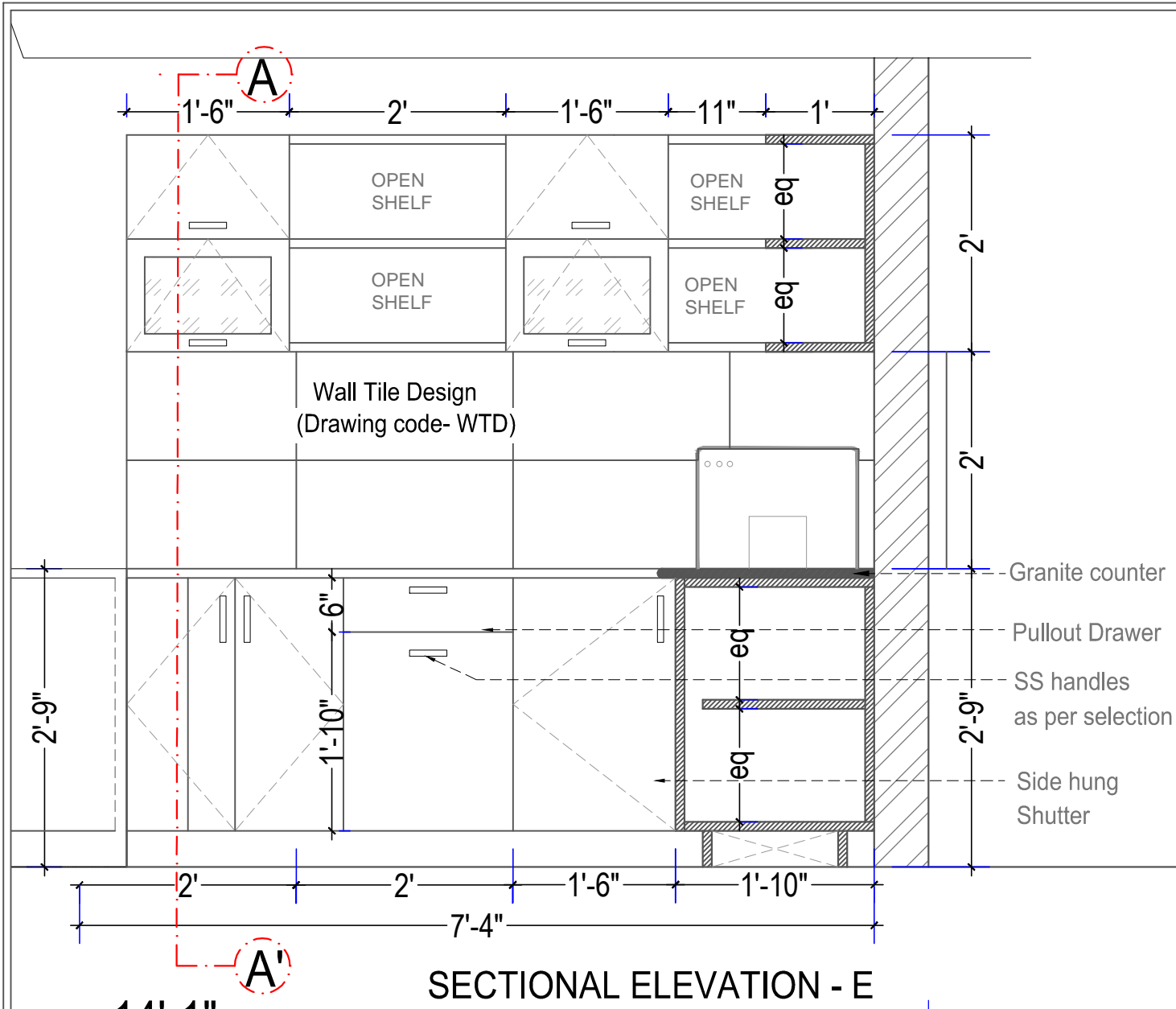
DRAWING DETAILS  
 FURNITURE DRAWING

|               |            |
|---------------|------------|
| Scale:        | 1:200      |
| Drawn by:     | KRANTHI    |
| Checked by:   | AR         |
| Date:         | 11-04-2018 |
| Drawing Code: | FUR-DWG    |
| Sheet No:     | 02         |

INTERIOR CONSULTANTS:  
**ARDES**  
 ARCHITECTS & INTERIOR DESIGNERS  
 7-1-212,SHIV-BAGH, AMEERPET, HYDERBAD.  
 040-23753316; email: mailardes@gmail.com



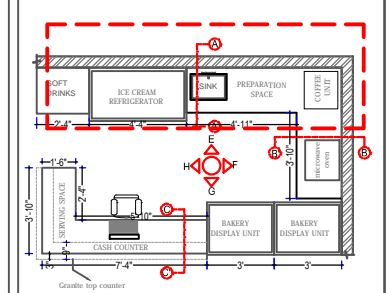
|  |            |      |      |
|--|------------|------|------|
| PROJECT                                  |            |      |      |
| SERENE FARMS                             |            |      |      |
| CLUB HOUSE INTERIORS                     |            |      |      |
| YENKAPALLY                               |            |      |      |
| CLIENT                                   |            |      |      |
| MODI PROPERTIES                          |            |      |      |
| TITLE                                    |            |      |      |
| INTERIOR DRAWING                         |            |      |      |
|  |            |      |      |
| S.No                                     | DATE       | S.No | DATE |
|  |            |      |      |
| DRAWING DETAILS                          |            |      |      |
| FURNITURE DRAWING                        |            |      |      |
| SECTIONAL ELEVATION E                    |            |      |      |
| Scale:                                   | 1:200      |      |      |
| Drawn by:                                | KRANTHI    |      |      |
| Checked by:                              | AR         |      |      |
| Date:                                    | 11-04-2018 |      |      |
| Drawing Code:                            | FUR-DWG    |      |      |
| Sheet No:                                | 03         |      |      |
| INTERIOR CONSULTANTS:                    |            |      |      |
|  |            |      |      |
| ARCHITECTS & INTERIOR DESIGNERS          |            |      |      |
| 7-1-212,SHIV-BAGH, AMEERPET, HYDERBAD.   |            |      |      |
| 040-23753316; email: mailardes@gmail.com |            |      |      |



PROJECT  
 SERENE FARMS  
 CLUB HOUSE INTERIORS  
 YENKAPALLY

CLIENT  
 MODI PROPERTIES

TITLE  
 INTERIOR DRAWING

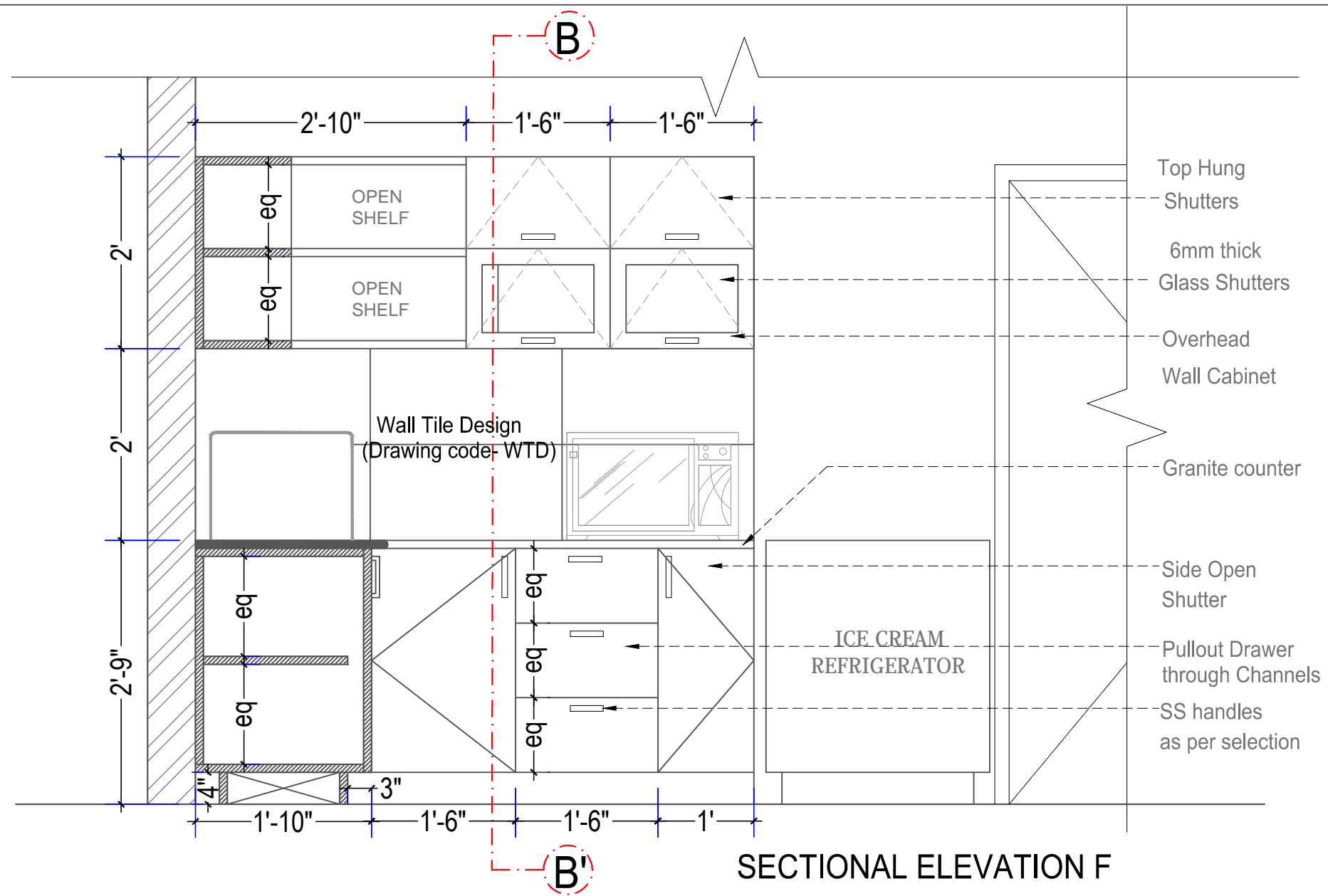


| S.No | DATE | S.No | DATE |
|------|------|------|------|
|      |      |      |      |
|      |      |      |      |

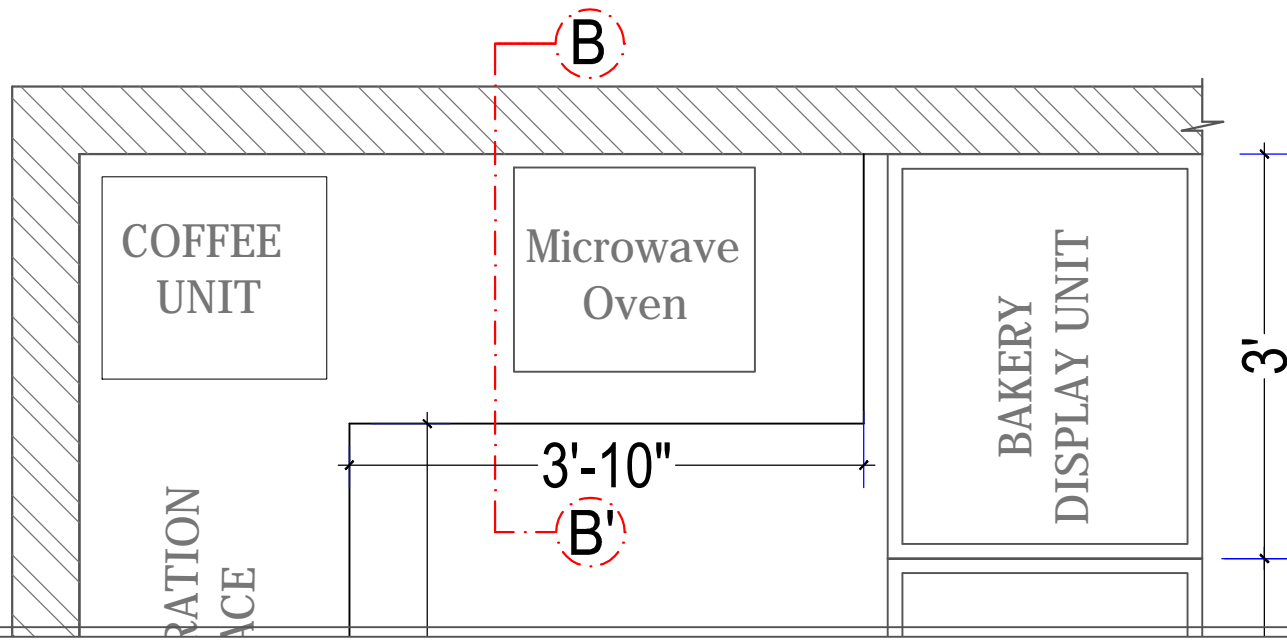
DRAWING DETAILS  
 FURNITURE DRAWING  
 SECTION A-A'

|               |            |
|---------------|------------|
| Scale:        | 1:200      |
| Drawn by:     | KRANTHI    |
| Checked by:   | AR         |
| Date:         | 11-04-2018 |
| Drawing Code: | FUR-DWG    |
| Sheet No:     | 04         |

INTERIOR CONSULTANTS:  
**ARDES**  
 ARCHITECTS & INTERIOR DESIGNERS  
 7-1-212,SHIV-BAGH, AMEERPET, HYDERBAD.  
 040-23753316; email: mailardes@gmail.com



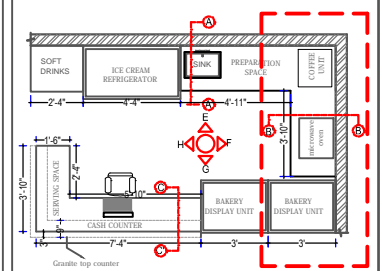
SECTIONAL ELEVATION F



PROJECT  
 SERENE FARMS  
 CLUB HOUSE INTERIORS  
 YENKAPALLY

CLIENT  
 MODI PROPERTIES

TITLE  
 INTERIOR DRAWING

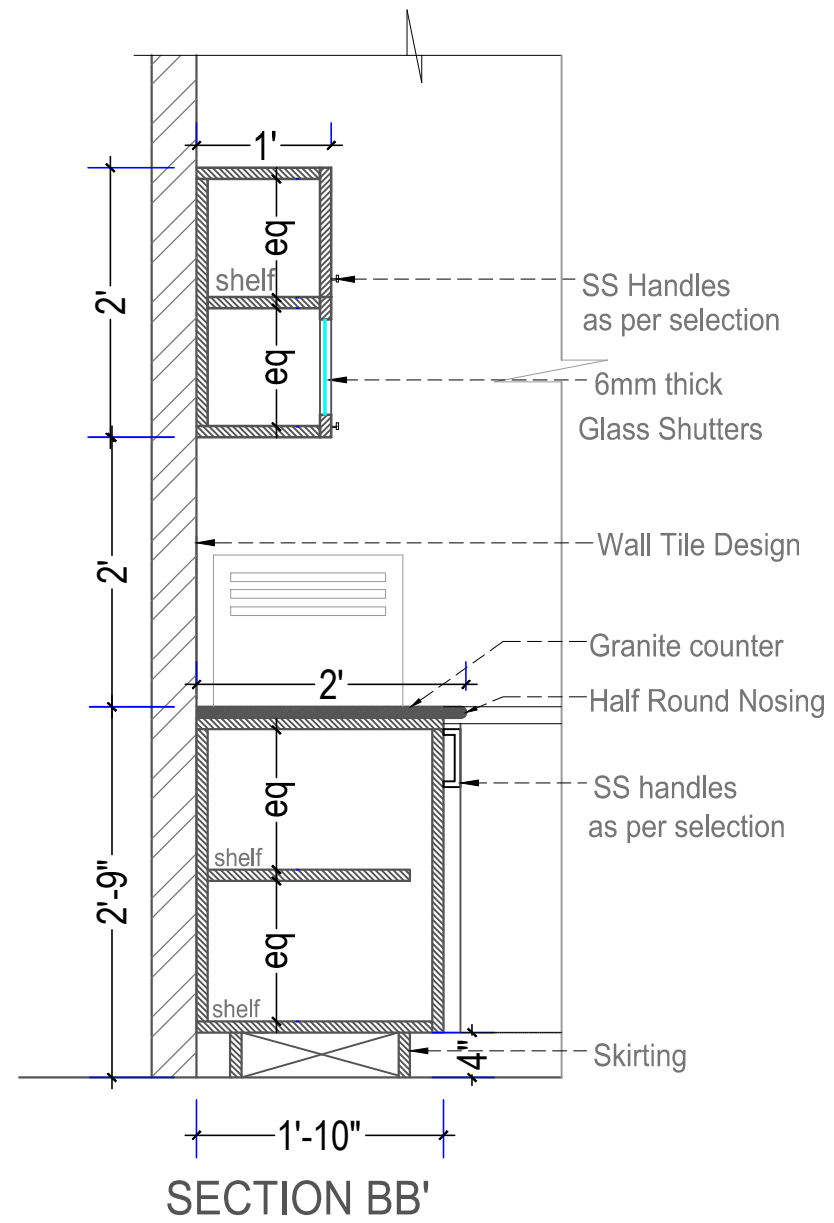
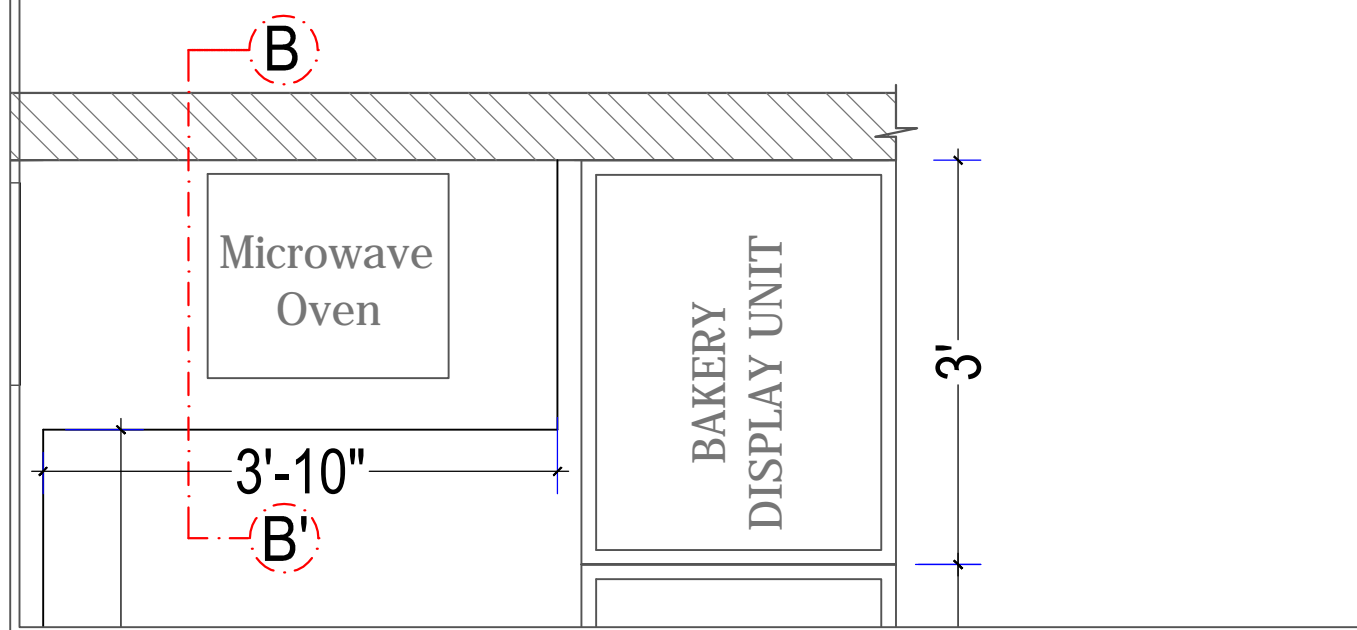
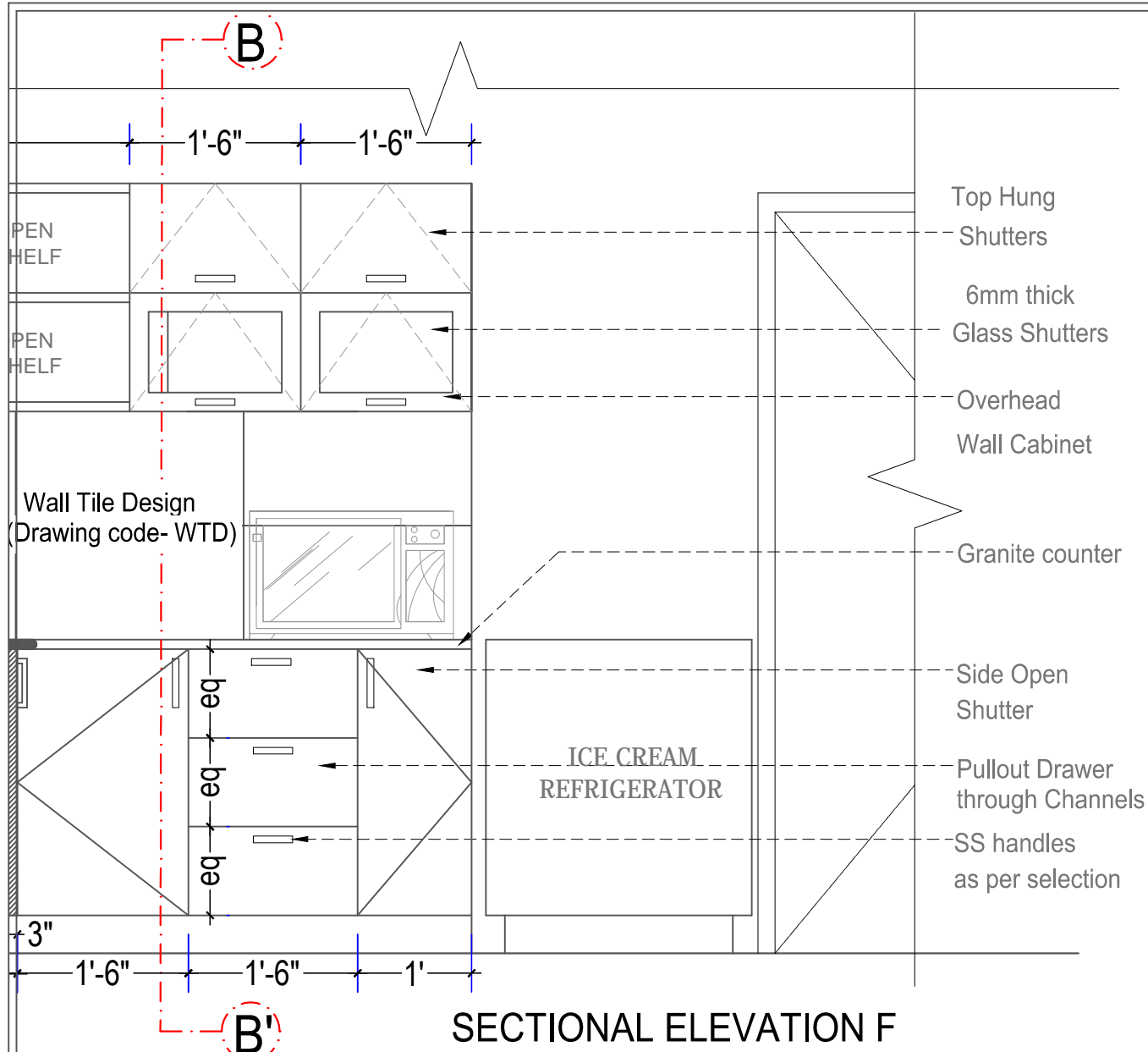


| S.No | DATE | S.No | DATE |
|------|------|------|------|
|      |      |      |      |
|      |      |      |      |
|      |      |      |      |

DRAWING DETAILS  
 FURNITURE DRAWING  
 SECTIONAL ELEVATION F

|               |            |
|---------------|------------|
| Scale:        | 1:200      |
| Drawn by:     | KRANTHI    |
| Checked by:   | AR         |
| Date:         | 11-04-2018 |
| Drawing Code: | FUR-DWG    |
| Sheet No:     | 05         |

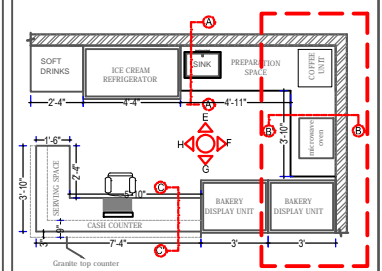
INTERIOR CONSULTANTS:  
**ARDES**  
 ARCHITECTS & INTERIOR DESIGNERS  
 7-1-212,SHIV-BAGH, AMEERPET, HYDERBAD.  
 040-23753316; email: mailardes@gmail.com



PROJECT  
 SERENE FARMS  
 CLUB HOUSE INTERIORS  
 YENKAPALLY

CLIENT  
 MODI PROPERTIES

TITLE  
 INTERIOR DRAWING



| S.No | DATE | S.No | DATE |
|------|------|------|------|
|      |      |      |      |
|      |      |      |      |
|      |      |      |      |

DRAWING DETAILS  
 FURNITURE DRAWING  
 SECTION B-B'

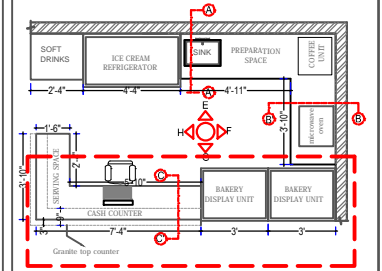
|               |            |
|---------------|------------|
| Scale:        | 1:200      |
| Drawn by:     | KRANTHI    |
| Checked by:   | AR         |
| Date:         | 11-04-2018 |
| Drawing Code: | FUR-DWG    |
| Sheet No:     | 06         |

INTERIOR CONSULTANTS:  
**ARDES**  
 ARCHITECTS & INTERIOR DESIGNERS  
 7-1-212,SHIV-BAGH, AMEERPET, HYDERBAD.  
 040-23753316; email: mailardes@gmail.com

PROJECT  
 SERENE FARMS  
 CLUB HOUSE INTERIORS  
 YEKAPALLY

CLIENT  
 MODI PROPERTIES

TITLE  
 INTERIOR DRAWING

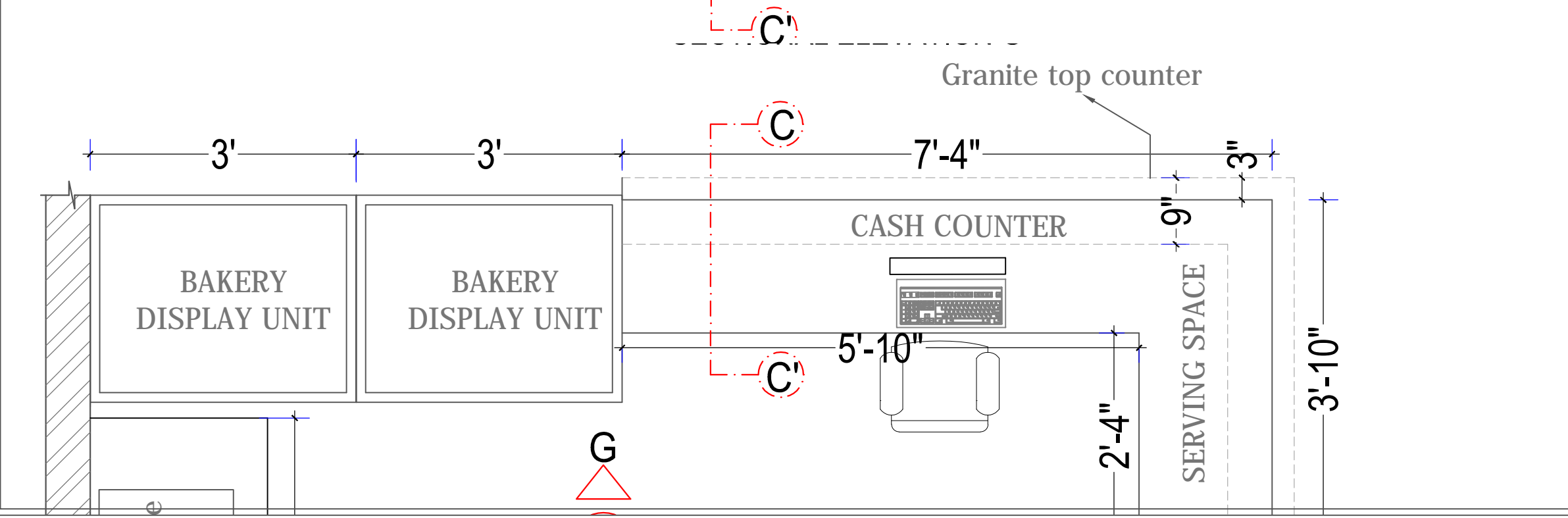
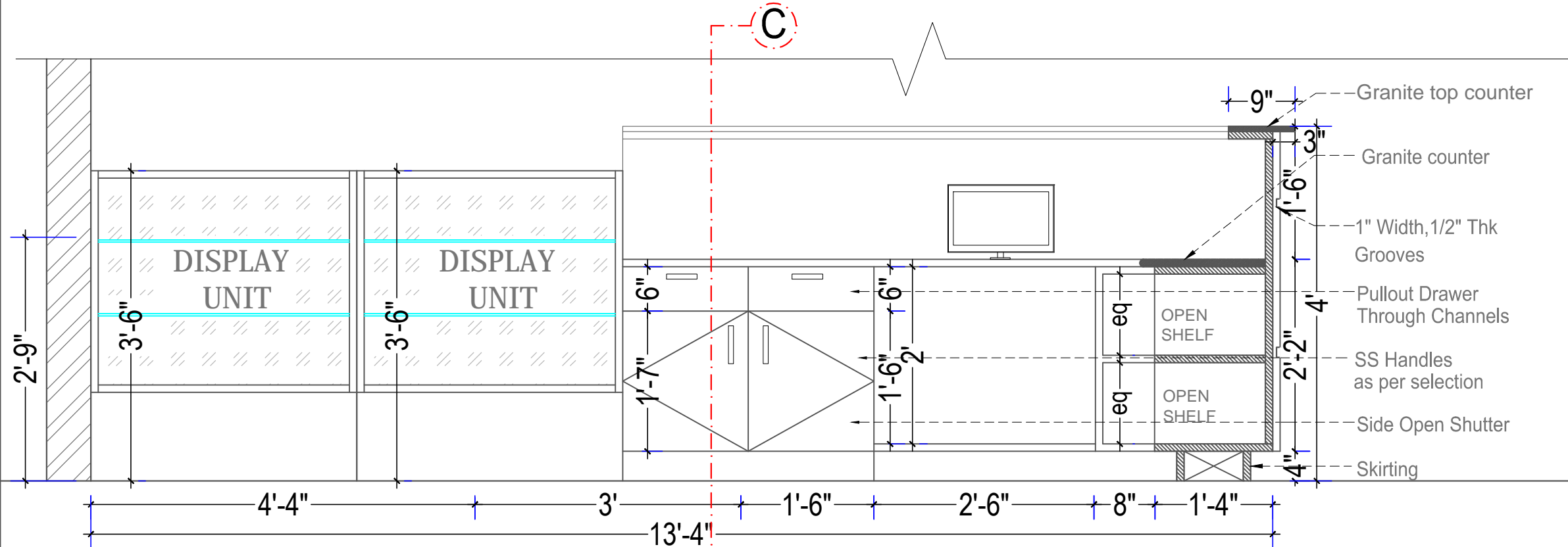


| S.No | DATE | S.No | DATE |
|------|------|------|------|
|      |      |      |      |
|      |      |      |      |

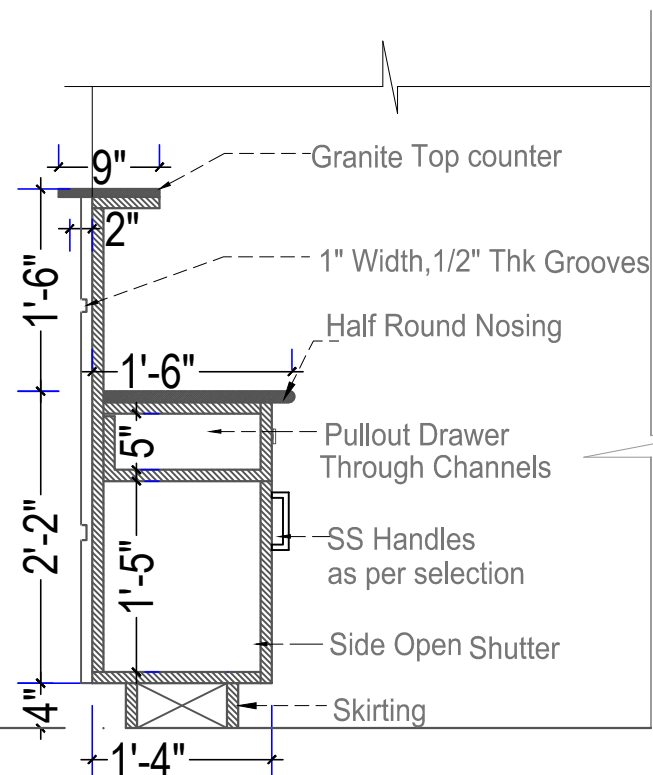
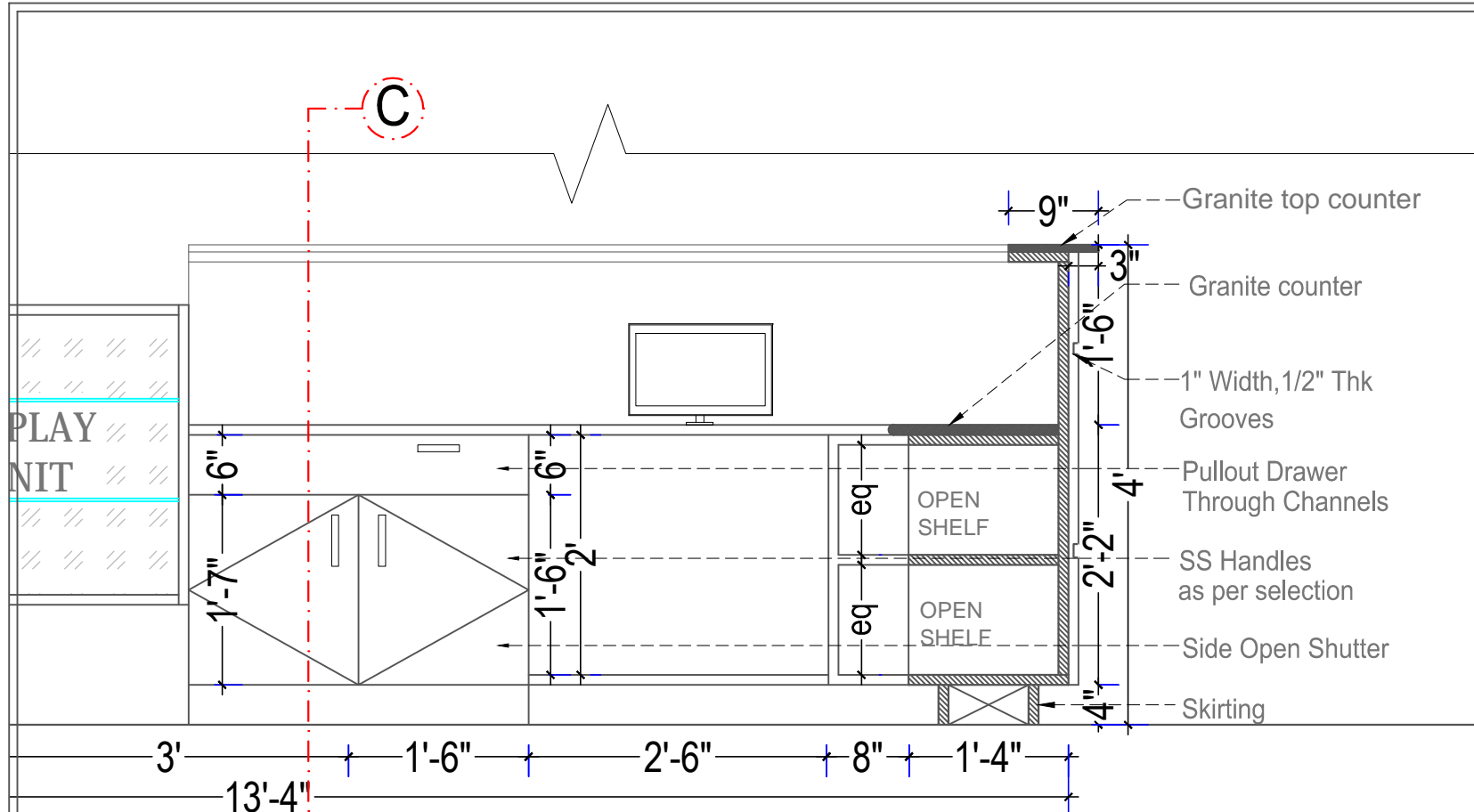
DRAWING DETAILS  
 FURNITURE DRAWING  
 SECTIONAL ELEVATION G

|               |            |
|---------------|------------|
| Scale:        | 1:200      |
| Drawn by:     | KRANTHI    |
| Checked by:   | AR         |
| Date:         | 11-04-2018 |
| Drawing Code: | FUR-DWG    |
| Sheet No:     | 07         |

INTERIOR CONSULTANTS:  
**ARDES**  
 ARCHITECTS & INTERIOR DESIGNERS  
 7-1-212,SHIV-BAGH, AMEERPET, HYDERBAD.  
 040-23753316; email: mailardes@gmail.com

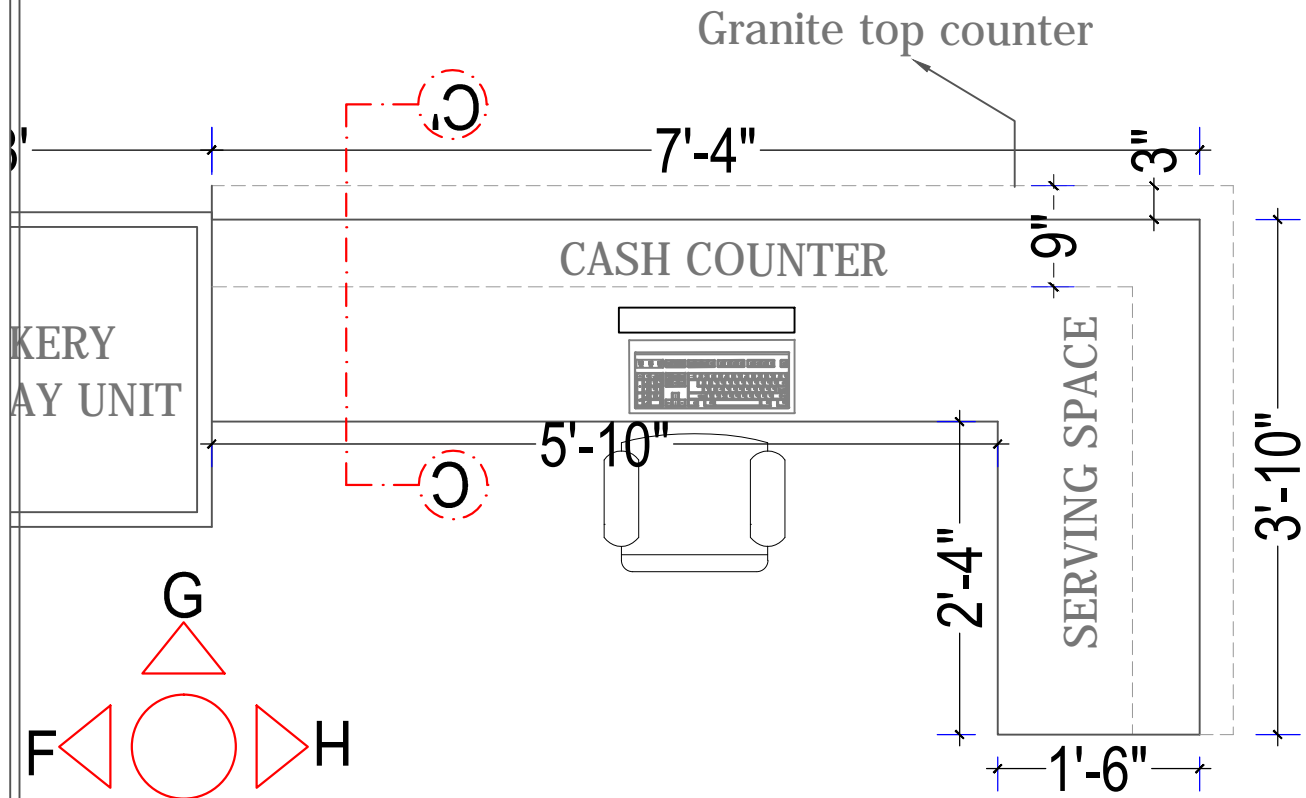


- 9" Granite top counter
- 3" Granite counter
- 1" Width, 1/2" Thk Grooves
- 4" Pullout Drawer Through Channels
- 2+2" SS Handles as per selection
- 4" Side Open Shutter
- 4" Skirting



SECTION CC'

SECTIONAL ELEVATION G

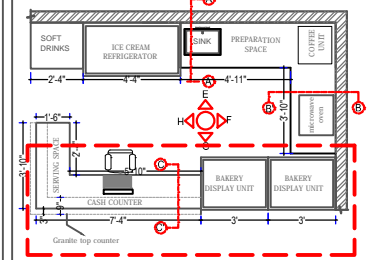


SECTIONAL C-C'

PROJECT  
SERENE FARMS  
CLUB HOUSE INTERIORS  
YENKAPALLY

CLIENT  
MODI PROPERTIES

TITLE  
INTERIOR DRAWING



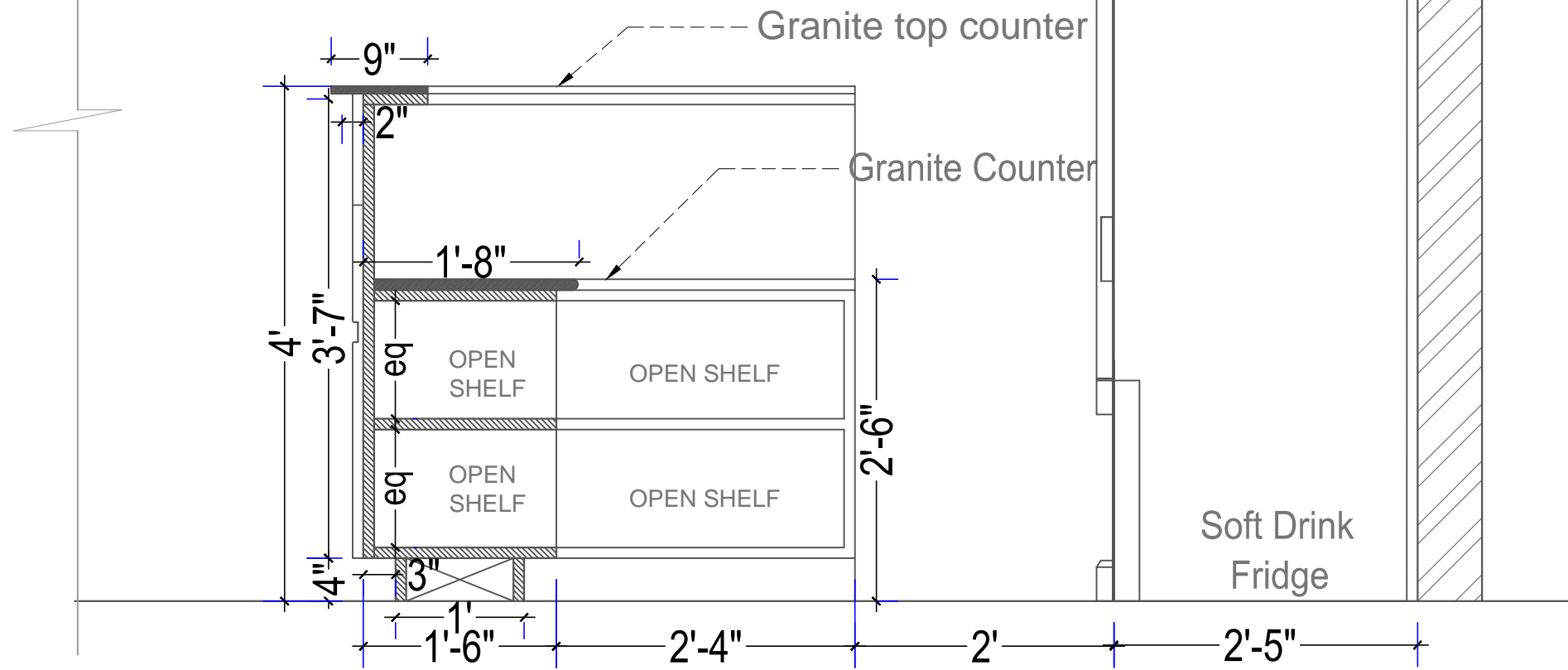
| S.No | DATE | S.No | DATE |
|------|------|------|------|
|      |      |      |      |
|      |      |      |      |
|      |      |      |      |

DRAWING DETAILS  
FURNITURE DRAWING  
SECTIONAL C-C'

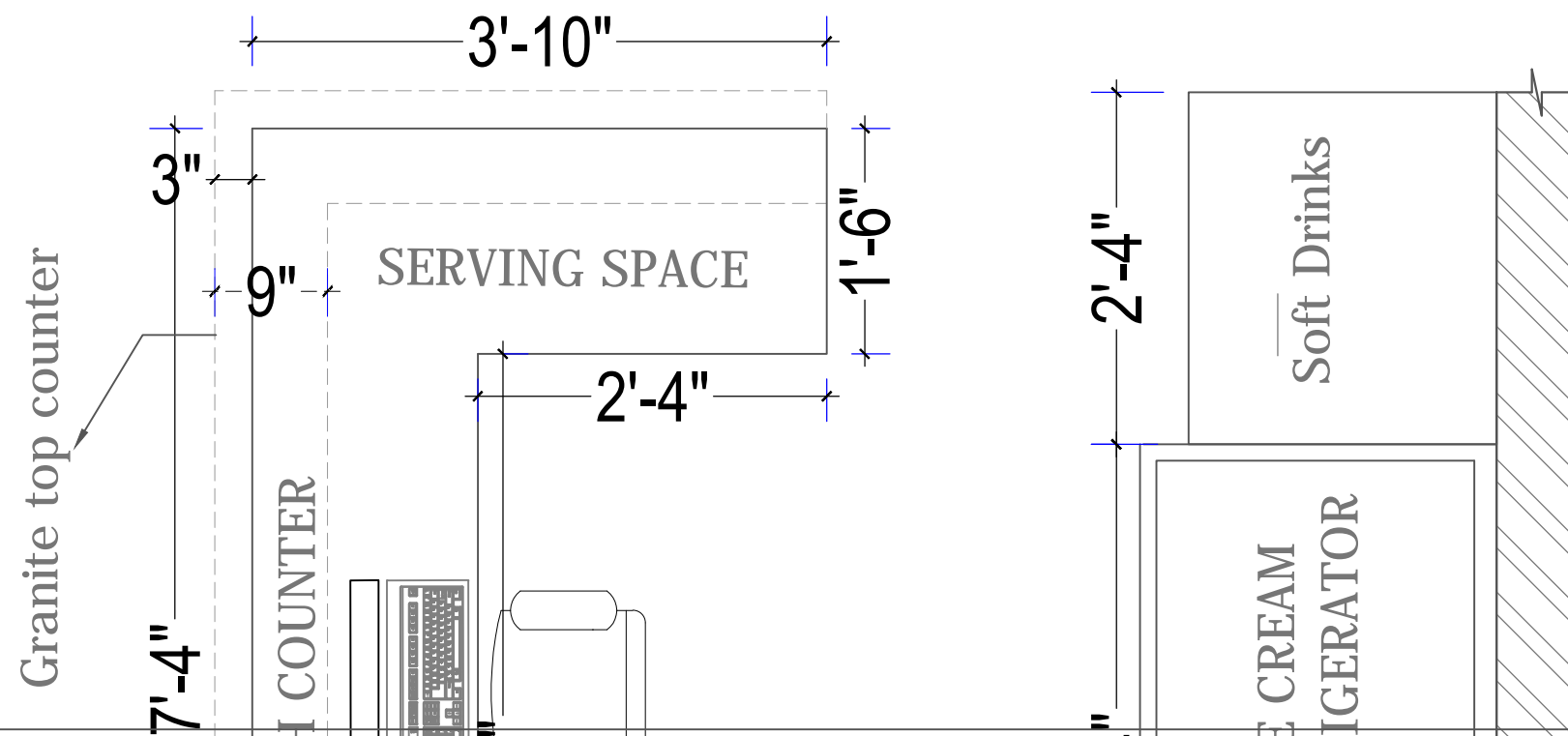
|               |            |
|---------------|------------|
| Scale:        | 1:200      |
| Drawn by:     | KRANTHI    |
| Checked by:   | AR         |
| Date:         | 11-04-2018 |
| Drawing Code: | FUR-DWG    |
| Sheet No:     | 08         |

INTERIOR CONSULTANTS:  
**ARDES**  
ARCHITECTS & INTERIOR DESIGNERS  
7-1-212,SHIV-BAGH, AMEERPET, HYDERBAD.  
040-23753316; email: mailardes@gmail.com





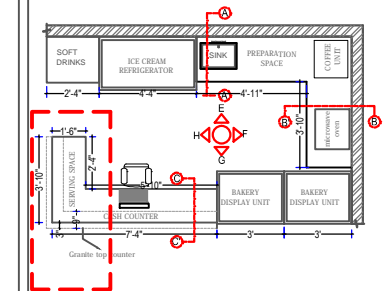
SECTIONAL ELEVATION H



PROJECT  
 SERENE FARMS  
 CLUB HOUSE INTERIORS  
 YENKAPALLY

CLIENT  
 MODI PROPERTIES

TITLE  
 INTERIOR DRAWING

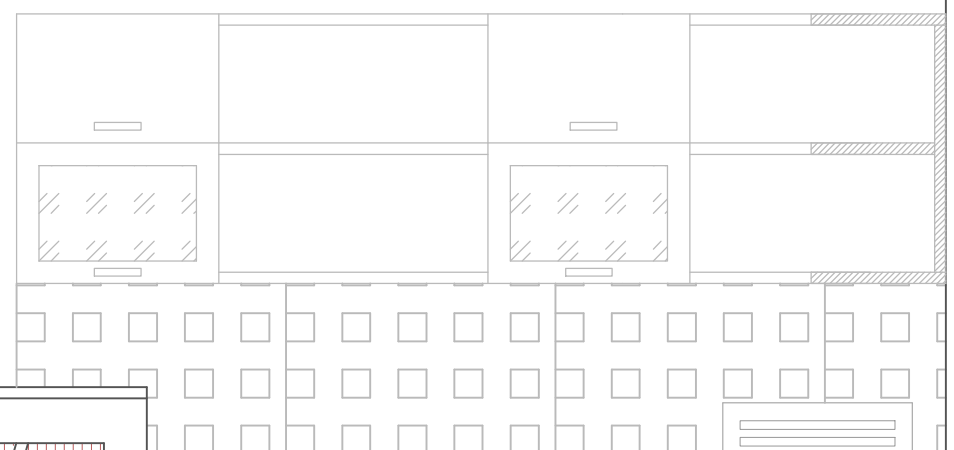
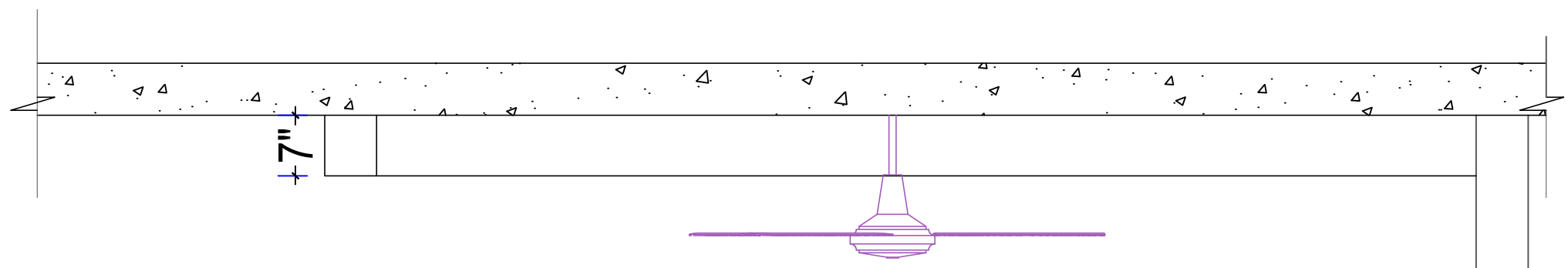


| S.No | DATE | S.No | DATE |
|------|------|------|------|
|      |      |      |      |
|      |      |      |      |
|      |      |      |      |

DRAWING DETAILS  
 FURNITURE DRAWING  
 SECTIONAL ELEVATION H

|               |            |
|---------------|------------|
| Scale:        | 1:200      |
| Drawn by:     | KRANTHI    |
| Checked by:   | AR         |
| Date:         | 11-04-2018 |
| Drawing Code: | FUR-DWG    |
| Sheet No:     | 09         |

INTERIOR CONSULTANTS:  
**ARDES**  
 ARCHITECTS & INTERIOR DESIGNERS  
 7-1-212,SHIV-BAGH, AMEERPET, HYDERBAD.  
 040-23753316; email: mailardes@gmail.com



Black Granite Counter Top

Pure Ash Laminate

Splendid Oak

Pure Ash Laminate Laminate as Groves

Skirting

4"

5'-8"

3'

4'-4"

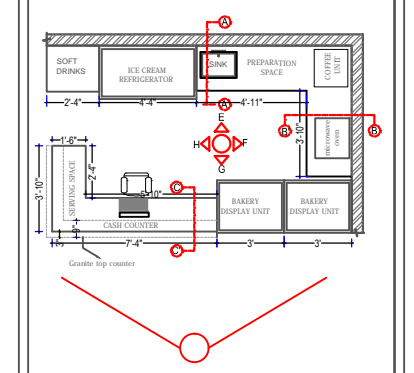
DISPLAY UNIT

DISPLAY UNIT

PROJECT  
 SERENE FARMS  
 CLUB HOUSE INTERIORS  
 YENKAPALLY

CLIENT  
 MODI PROPERTIES

TITLE  
 INTERIOR DRAWING



| S.No | DATE | S.No | DATE |
|------|------|------|------|
|      |      |      |      |
|      |      |      |      |
|      |      |      |      |

DRAWING DETAILS  
 FURNITURE DRAWING  
 FRONT ELEVATION

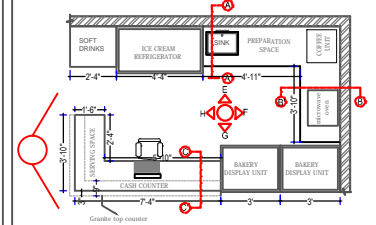
|               |            |
|---------------|------------|
| Scale:        | 1:200      |
| Drawn by:     | KRANTHI    |
| Checked by:   | AR         |
| Date:         | 11-04-2018 |
| Drawing Code: | FUR-DWG    |
| Sheet No:     | 10         |

INTERIOR CONSULTANTS:  
**ARDES**  
 ARCHITECTS & INTERIOR DESIGNERS  
 7-1-212,SHIV-BAGH, AMEERPET, HYDERBAD.  
 040-23753316; email: mailardes@gmail.com

PROJECT  
 SERENE FARMS  
 CLUB HOUSE INTERIORS  
 YENKAPALLY

CLIENT  
 MODI PROPERTIES

TITLE  
 INTERIOR DRAWING



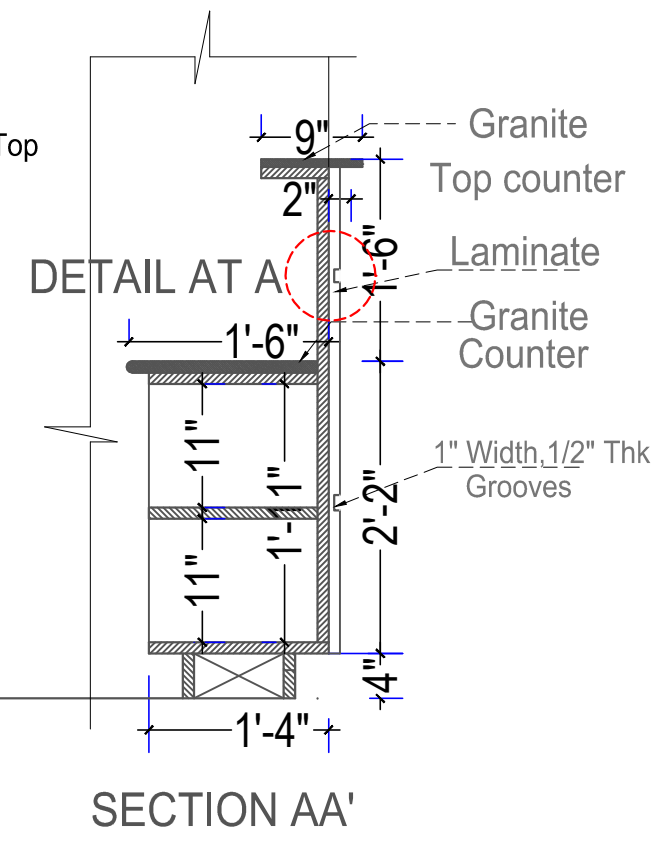
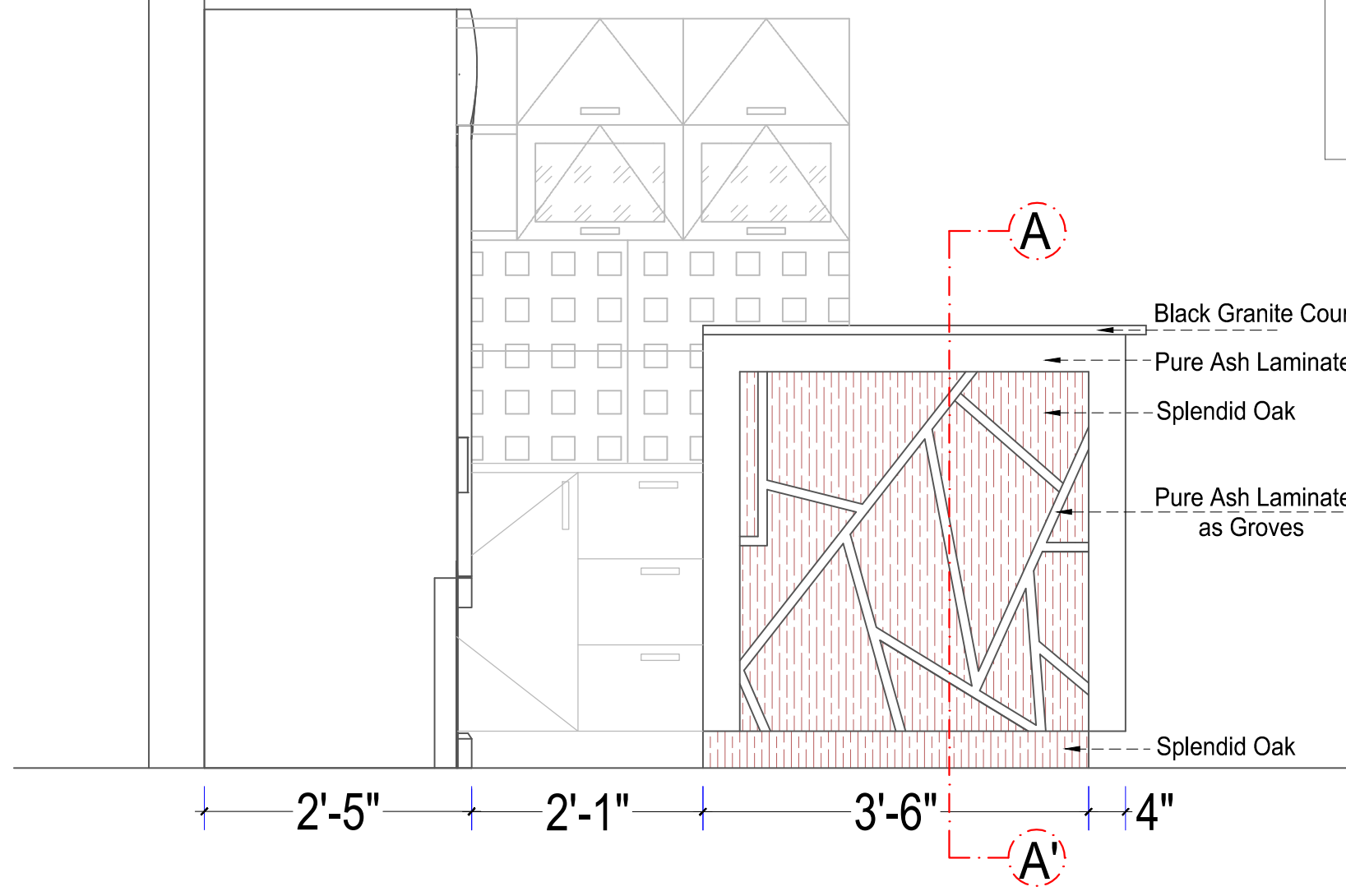
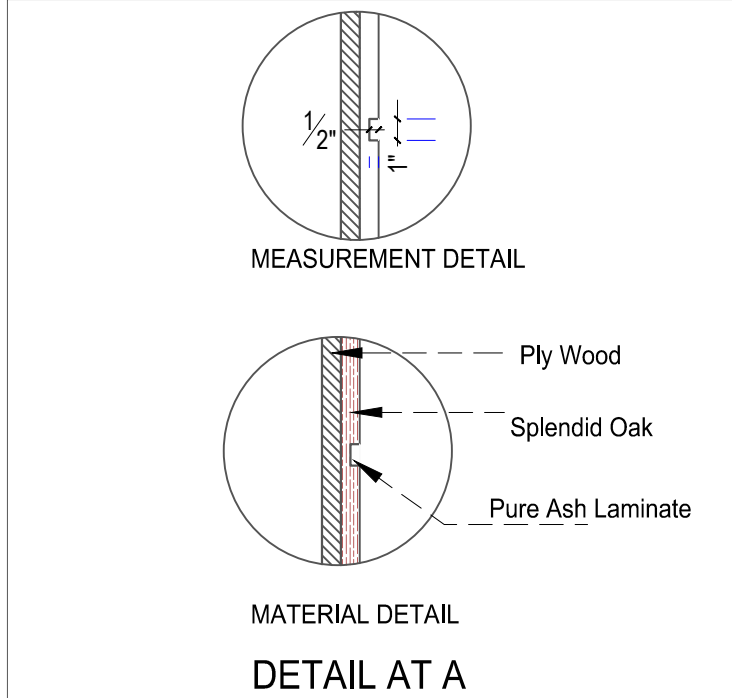
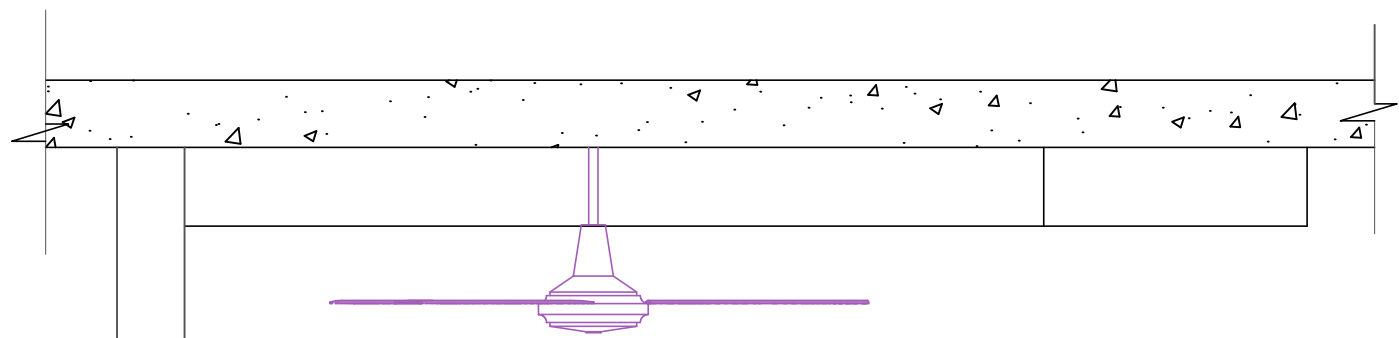
| S.No | DATE | S.No | DATE |
|------|------|------|------|
|      |      |      |      |
|      |      |      |      |
|      |      |      |      |

DRAWING DETAILS  
 FURNITURE DRAWING  
 SIDE ELEVATION

|               |            |
|---------------|------------|
| Scale:        | 1:200      |
| Drawn by:     | KRANTHI    |
| Checked by:   | AR         |
| Date:         | 11-04-2018 |
| Drawing Code: | FUR-DWG    |
| Sheet No:     | 11         |

INTERIOR CONSULTANTS:

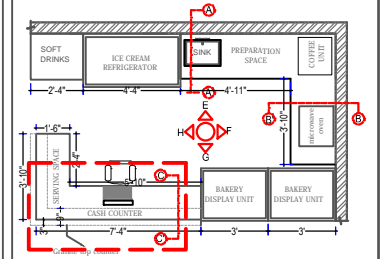
**ARDES**  
 ARCHITECTS & INTERIOR DESIGNERS  
 7-1-212,SHIV-BAGH, AMEERPET, HYDERBAD.  
 040-23753316; email: mailardes@gmail.com



PROJECT  
 SERENE FARMS  
 CLUB HOUSE INTERIORS  
 YENKAPALLY

CLIENT  
 MODI PROPERTIES

TITLE  
 INTERIOR DRAWING

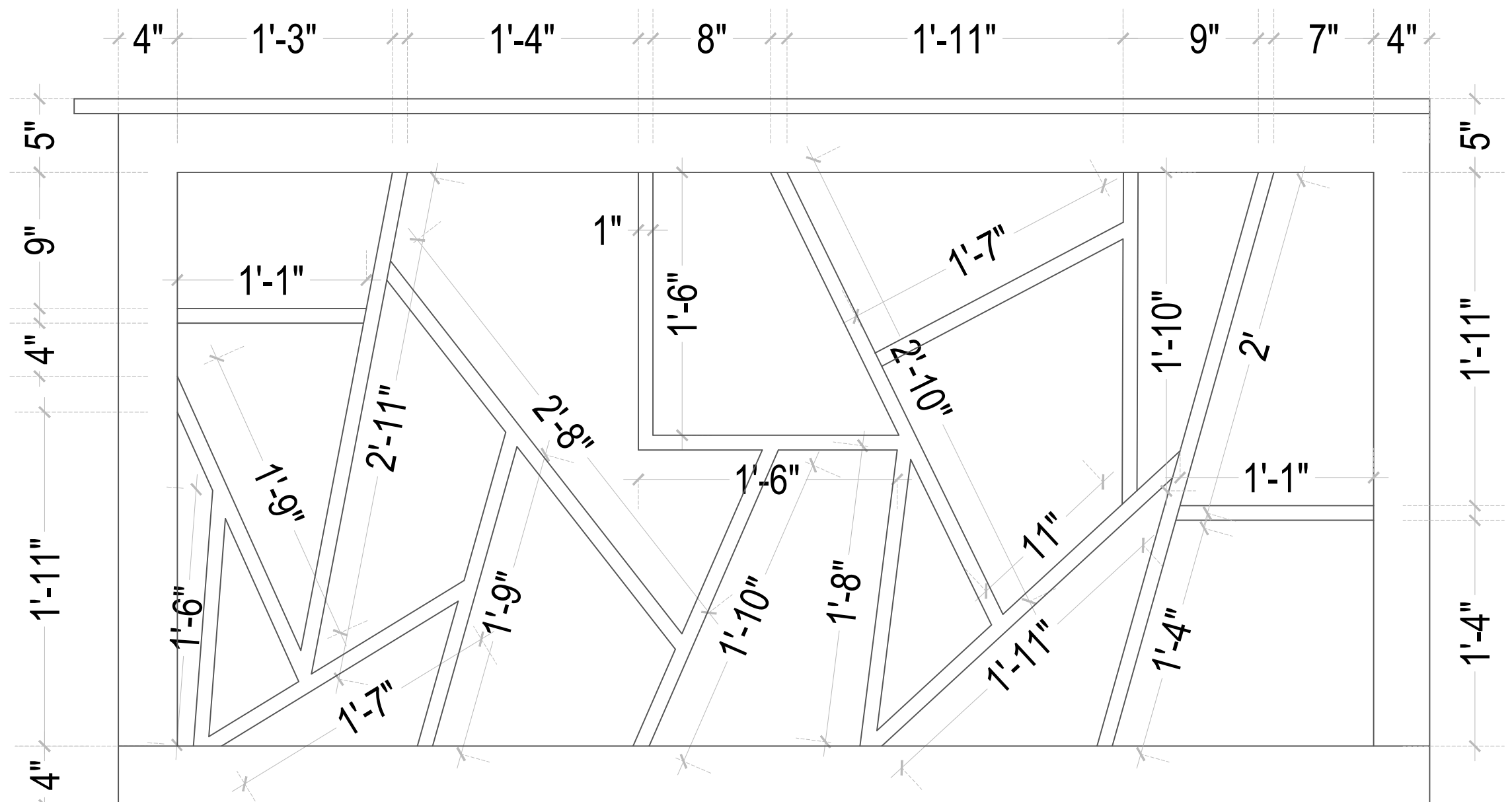


| S.No | DATE | S.No | DATE |
|------|------|------|------|
|      |      |      |      |
|      |      |      |      |

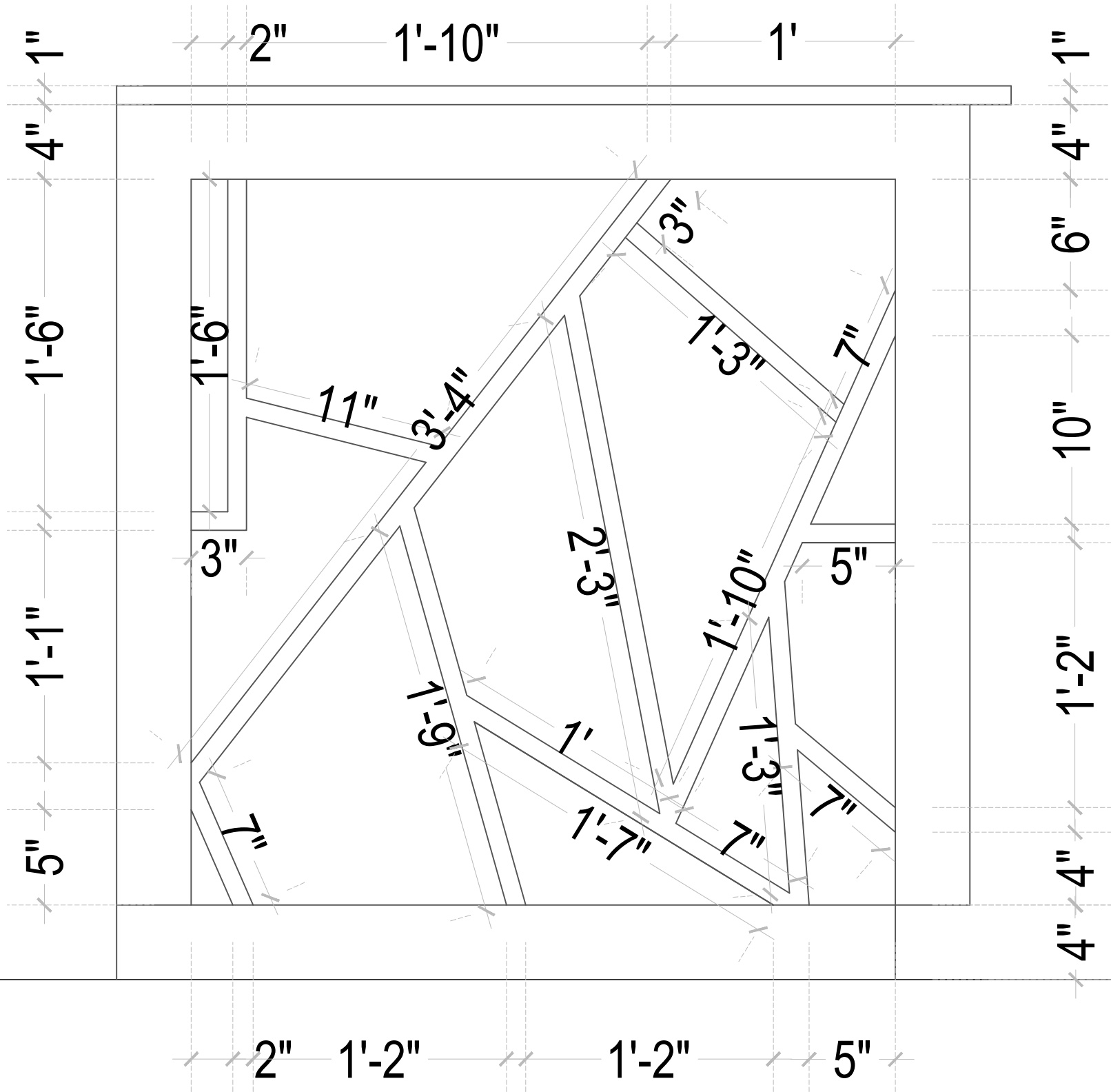
DRAWING DETAILS  
 MEASUREMENT DETAIL

|               |            |
|---------------|------------|
| Scale:        | 1:200      |
| Drawn by:     | KRANTHI    |
| Checked by:   | AR         |
| Date:         | 11-04-2018 |
| Drawing Code: | FUR-DWG    |
| Sheet No:     | 12         |

INTERIOR CONSULTANTS:  
**ARDES**  
 ARCHITECTS & INTERIOR DESIGNERS  
 7-1-212,SHIV-BAGH, AMEERPET, HYDERBAD.  
 040-23753316; email: mailardes@gmail.com



DETAIL NOT TO SCALE

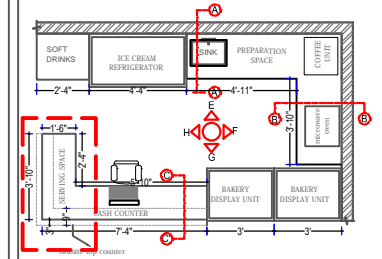


DETAIL NOT TO SCALE

PROJECT  
 SERENE FARMS  
 CLUB HOUSE INTERIORS  
 YENKAPALLY

CLIENT  
 MODI PROPERTIES

TITLE  
 INTERIOR DRAWING



| S.No | DATE | S.No | DATE |
|------|------|------|------|
|      |      |      |      |
|      |      |      |      |
|      |      |      |      |

DRAWING DETAILS  
 MEASUREMENT DETAIL

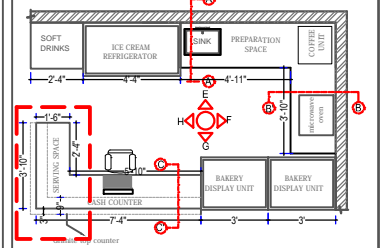
|               |            |
|---------------|------------|
| Scale:        | 1:200      |
| Drawn by:     | KRANTHI    |
| Checked by:   | AR         |
| Date:         | 11-04-2018 |
| Drawing Code: | FUR-DWG    |
| Sheet No:     | 13         |

INTERIOR CONSULTANTS:  
**ARDES**  
 ARCHITECTS & INTERIOR DESIGNERS  
 7-1-212,SHIV-BAGH, AMEERPET, HYDERBAD.  
 040-23753316; email: mailardes@gmail.com

PROJECT  
 SERENE FARMS  
 CLUB HOUSE INTERIORS  
 YENKAPALLY

CLIENT  
 MODI PROPERTIES

TITLE  
 INTERIOR DRAWING

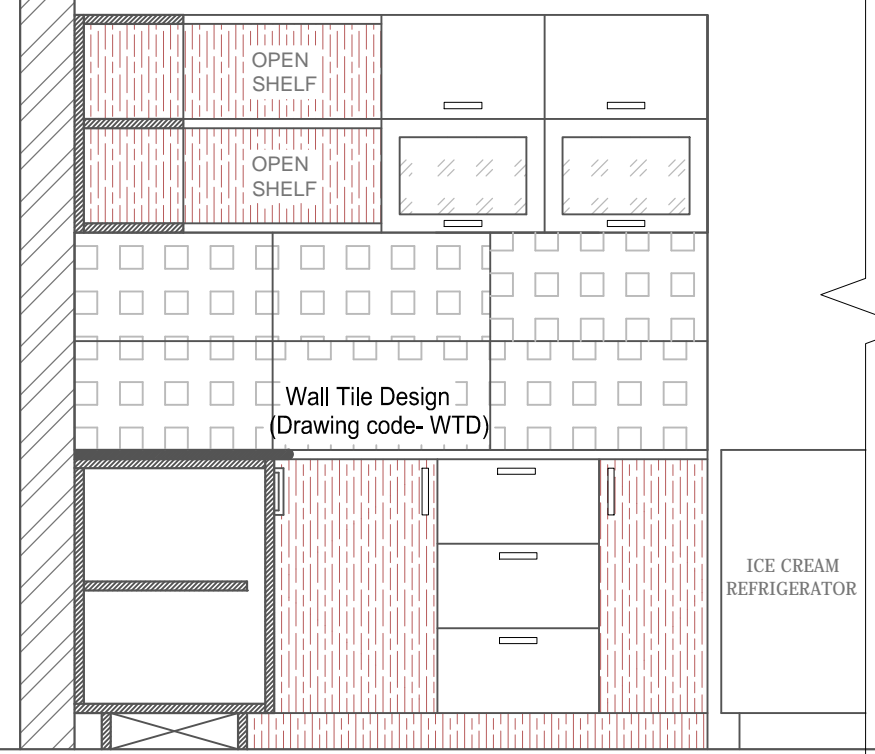
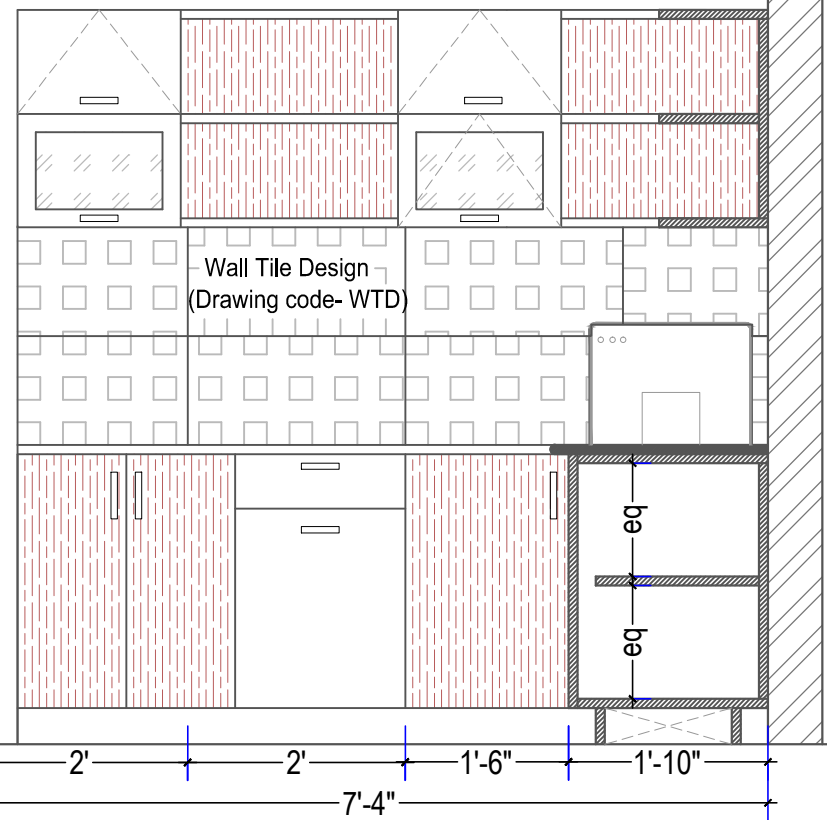


| S.No | DATE | S.No | DATE |
|------|------|------|------|
|      |      |      |      |
|      |      |      |      |
|      |      |      |      |

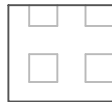
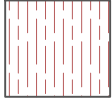

DRAWING DETAILS  
 MEASUREMENT DETAIL

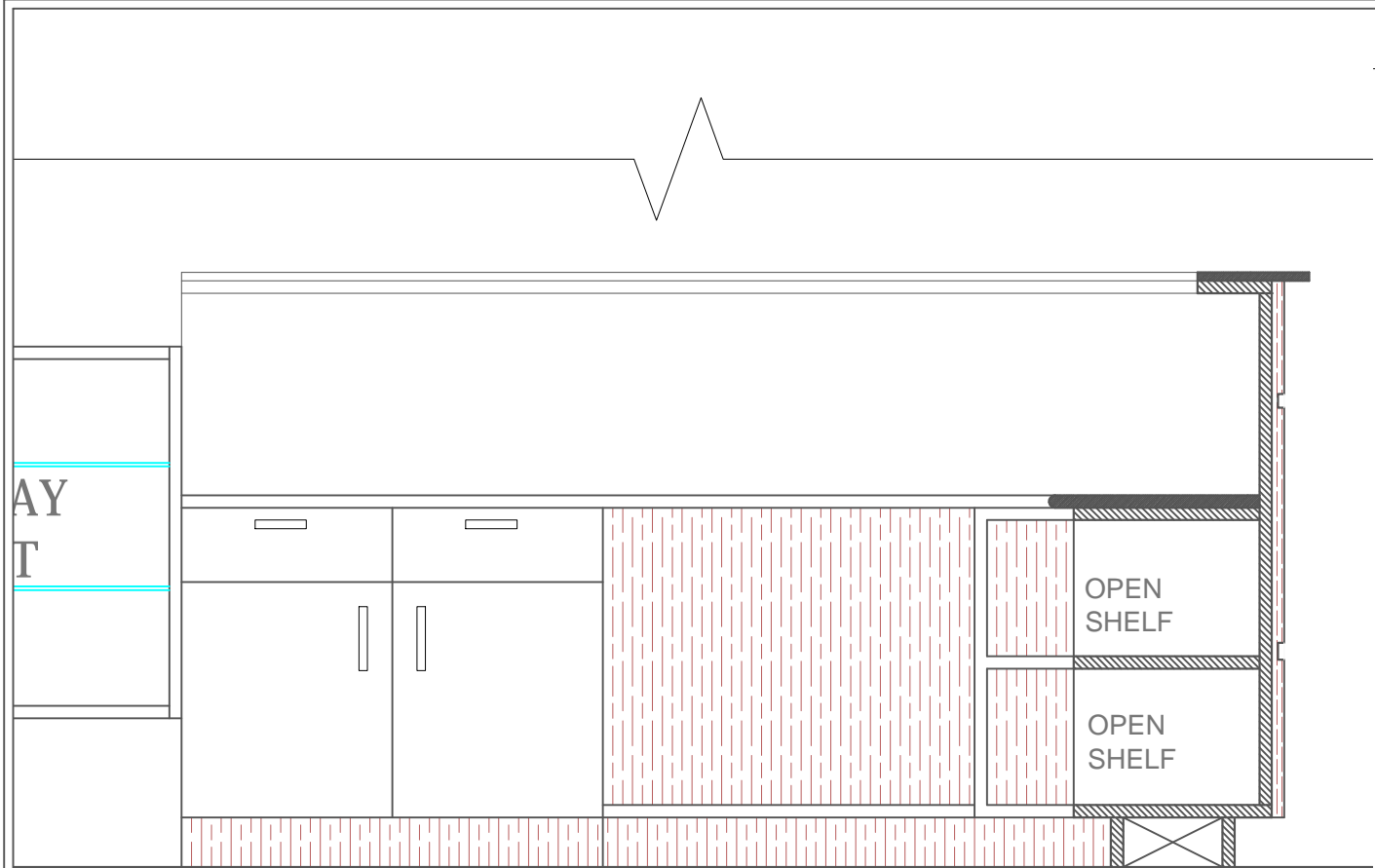
|               |            |
|---------------|------------|
| Scale:        | 1:200      |
| Drawn by:     | KRANTHI    |
| Checked by:   | AR         |
| Date:         | 11-04-2018 |
| Drawing Code: | FUR-DWG    |
| Sheet No:     | 14         |

INTERIOR CONSULTANTS:  
**ARDES**  
 ARCHITECTS & INTERIOR DESIGNERS  
 7-1-212,SHIV-BAGH, AMEERPET, HYDERBAD.  
 040-23753316; email: mailardes@gmail.com

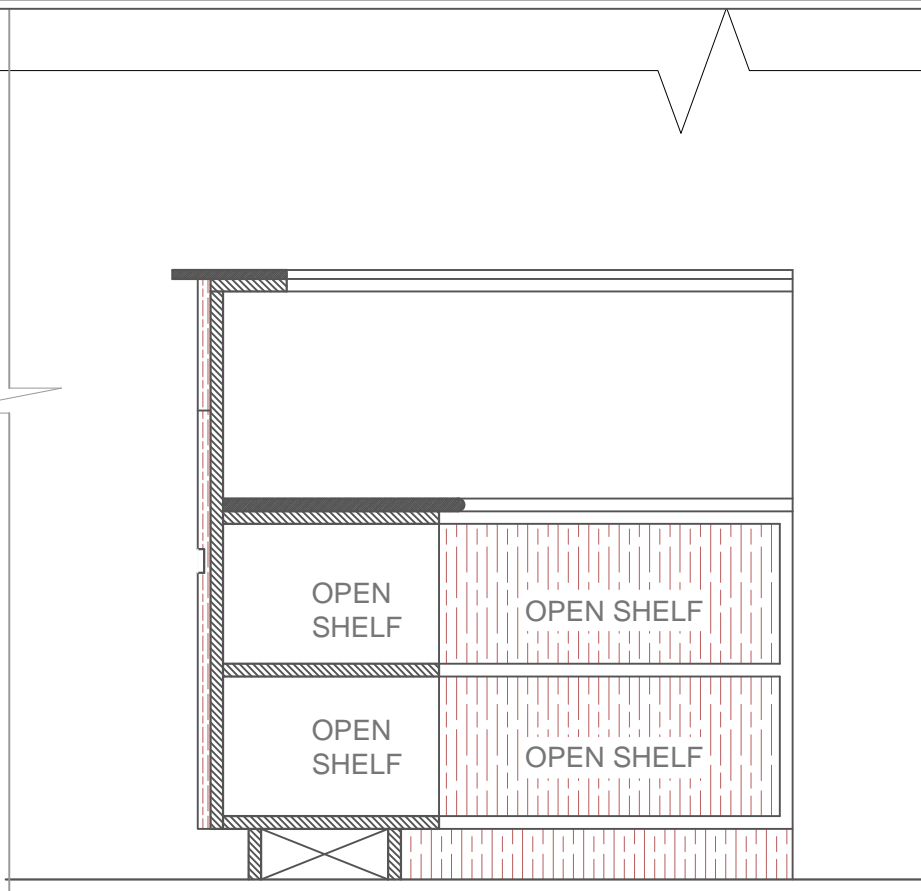


SECTIONAL ELEVATION - F

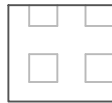
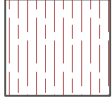

| DESCRIPTION  | REFERENCE   |
|--|---|
|  Wall Tiles-<br>ODH SILVIA MOSAIC HL<br>300 mm X 600 mm | ORIENT BELL TILES<br>WALL TILES COLLECTIONS 2017<br>(Drawing code- WTD) |
|  VRB 9615 SPLENDID OAK                                  | GREENLAM LAMINATES<br>Surface Solutions<br>Volume-1                     |
|  VRB 9610 PURE ASH                                      | GREENLAM LAMINATES<br>Surface Solutions<br>Volume-1                     |



SECTIONAL ELEVATION - G



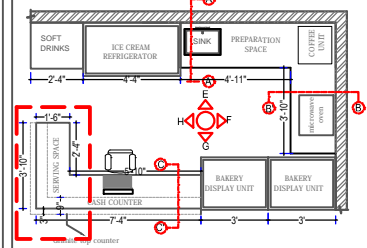
SECTIONAL ELEVATION - H

| DESCRIPTION  | REFERENCE   |
|--|---|
|  Wall Tiles-<br>ODH SILVIA MOSAIC HL<br>300 mm X 600 mm | ORIENT BELL TILES<br>WALL TILES COLLECTIONS 2017<br>(Drawing code- WTD) |
|  VRB 9615 SPLENDID OAK                                  | GREENLAM LAMINATES<br>Surface Solutions<br>Volume-1                     |
|  VRB 9610 PURE ASH                                      | GREENLAM LAMINATES<br>Surface Solutions<br>Volume-1                     |

PROJECT  
 SERENE FARMS  
 CLUB HOUSE INTERIORS  
 YENKAPALLY

CLIENT  
 MODI PROPERTIES

TITLE  
 INTERIOR DRAWING



| S.No | DATE | S.No | DATE |
|------|------|------|------|
|      |      |      |      |
|      |      |      |      |
|      |      |      |      |

DRAWING DETAILS  
 MEASUREMENT DETAIL

|               |            |
|---------------|------------|
| Scale:        | 1:200      |
| Drawn by:     | KRANTHI    |
| Checked by:   | AR         |
| Date:         | 11-04-2018 |
| Drawing Code: | FUR-DWG    |
| Sheet No:     | 15         |

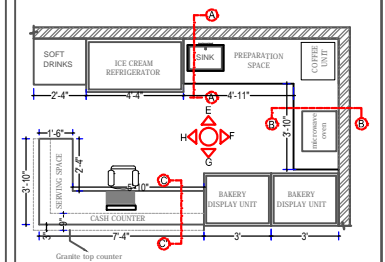
INTERIOR CONSULTANTS:  
**ARDES**  
 ARCHITECTS & INTERIOR DESIGNERS  
 7-1-212,SHIV-BAGH, AMEERPET, HYDERBAD.  
 040-23753316; email: mailardes@gmail.com

| DESCRIPTION | SPECIFICATION  | REFERENCE  |
|-------------|--|--|
| LAMINATE    | VRB 9615 SPLENDID OAK<br>VRB 9610 PURE ASH   | ASSOCIATE PARTICLE BOARDS                        |
| CABINETRY   | 18MM BWR<br>PLYWOOD  | GREENPLY / CENTURY                               |
| HARDWARE    | STAINLESS STEEL  | EBCO/HAFFELE/HETTICH                             |
| SINK        | STANDARD RANGE<br>GRACE-SMALL<br>Overall Size: (485X410mm)<br>Bowl Size: (410X335X150mm) | NIRALI   |
| GRANITE     | TELESCOPIC<br>BLACK GRANITE  |  |
| WALL TILES  | ODH SILVIA MOSAIC HL<br>300 mm X 600 mm  | ORIENT BELL TILES<br>WALL TILES COLLECTIONS 2017 |

PROJECT  
SERENE FARMS  
CLUB HOUSE INTERIORS  
YENKAPALLY

CLIENT  
MODI PROPERTIES

TITLE  
INTERIOR DRAWING



| S.No | DATE | S.No | DATE |
|------|------|------|------|
|      |      |      |      |
|      |      |      |      |
|      |      |      |      |

DRAWING DETAILS

MATERIAL INDICATION

|               |            |
|---------------|------------|
| Scale:        | 1:200      |
| Drawn by:     | KRANTHI    |
| Checked by:   | AR         |
| Date:         | 11-04-2018 |
| Drawing Code: | FUR-DWG    |
| Sheet No:     | 16         |

INTERIOR CONSULTANTS:

**ARDES**  
ARCHITECTS & INTERIOR DESIGNERS

7-1-212,SHIV-BAGH, AMEERPET, HYDERBAD.  
040-23753316; email: mailardes@gmail.com