

M25 : Fe500 ,  
COVER = 40MM

LINKS

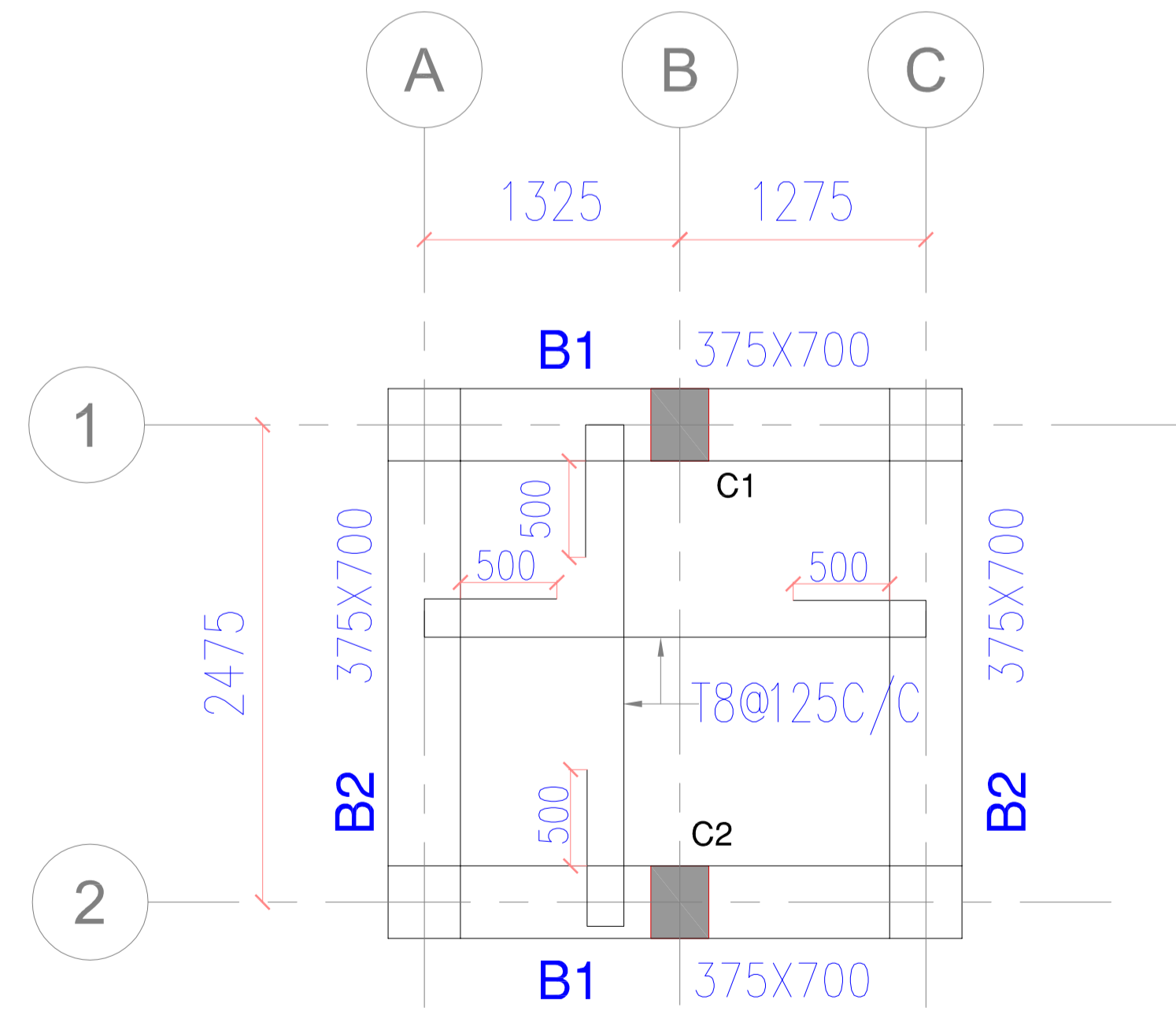
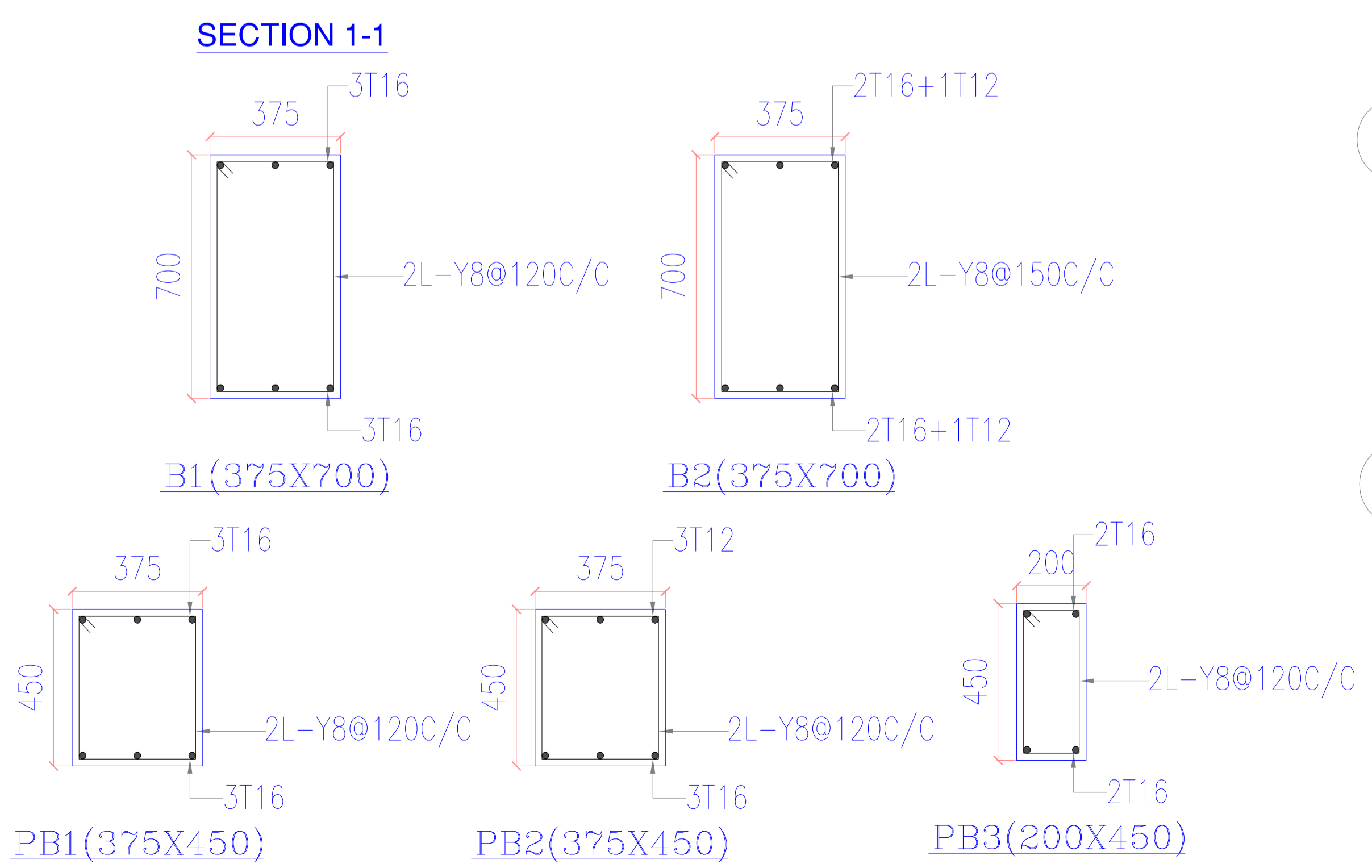
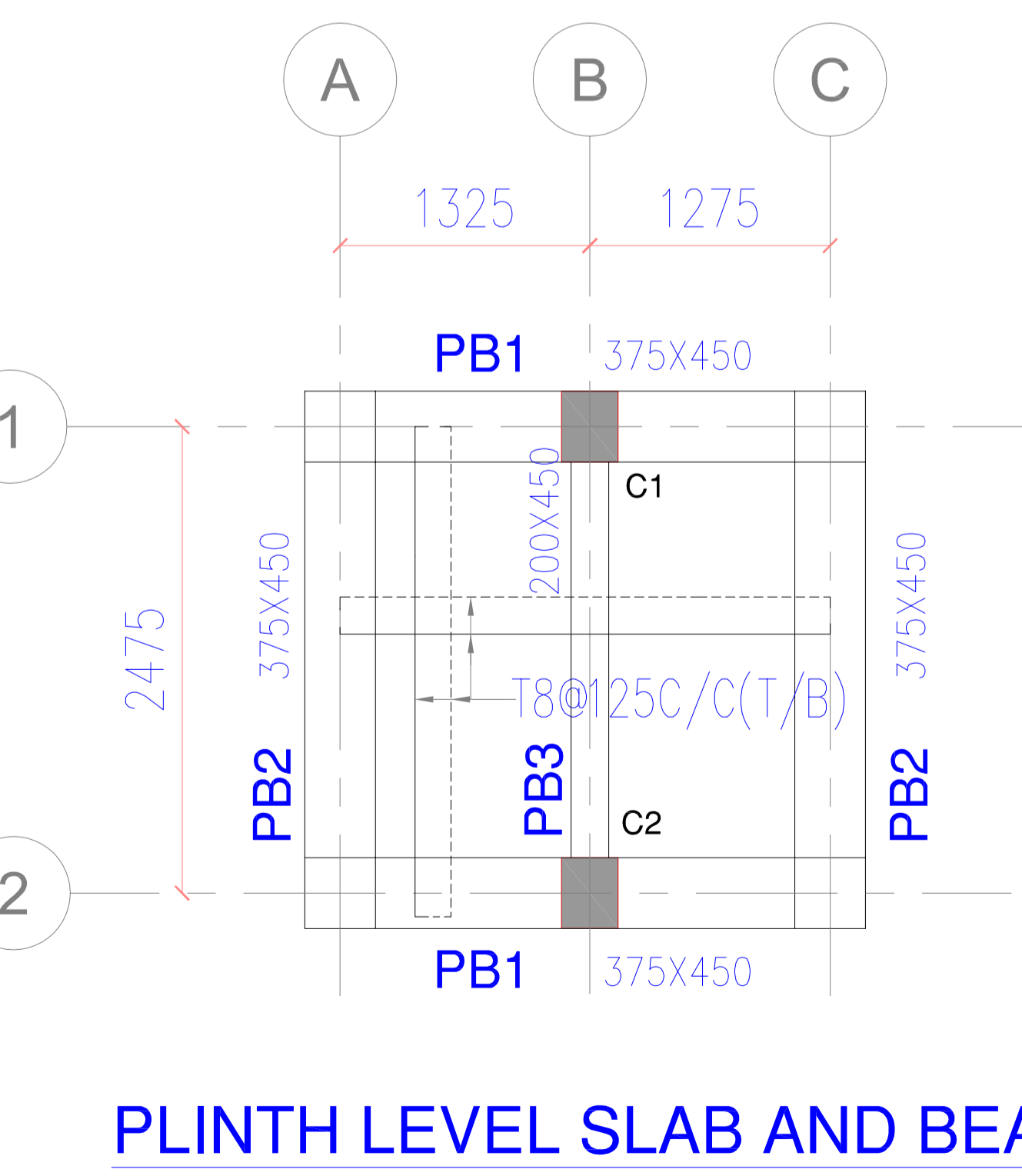
T8 @ 250

10-T16

C1, C2

COLUMN SCHEDULE

- General notes
- 1) The drawing is not to be scaled
  - 2) All dimensions are in millimetres and all levels are in metres unless otherwise indicated.
  - 3) Any discrepancy in the drawing is to be brought to the immediate notice of the consultant.
  - 4) The drawing is to be read in conjunction with relevant Architectural and Services drawings and specifications
  - 5) The drawing is to be read in conjunction with general notes
  - 6) The minimum depth of excavation = 1000mm for column footings
  - 7) Grade of concrete=M25 , Grade steel=Fe 500
  - 8) Clear cover for plinth beam =50mm
  - 9) Clear cover for column = 40mm
  - 10) Clear cover for footing rein = 50mm



TERRACE LEVEL SLAB AND BEAM

TERRACE SSL= +104.85M

SLAB THICKNESS = 150MM

KEY PLAN	
GENERAL NOTES:	
1. ALL DIMENSION ON THIS DRAWING ARE IN MILLIMETERS. 2. ONLY WRITTEN DIMENSIONS ARE TO BE FOLLOWED. DRAWING SHOULD NOT BE SCALED UNDER ANY CIRCUMSTANCES. 3. ALL MEASUREMENTS MUST BE CHECKED AND VERIFIED BY THE CONTRACTORS PRIOR TO EXECUTION OF WORK AT SITE.	
CLIENT :	
<b>GV RESEARCH CENTERS PVT LTD.</b> Plot No.3, Sy.No.230 to 243 Turkapally, Shamirpet	
TECHNICAL ADVISOR	
PRIME CONSULTANT	
 <b>Koncepto</b> Strategy   Planning   Develop	
<b>Koncepto Scienteck International Private Limited</b> 2nd Floor, BNR Towers, 91/A, HP Avenue, Electronic city Phase I, Bangalore - 560100 T: +91-80-61920078 F: +91-80-61920088 Email: marketing@koncepto.com www.koncepto.com   North America   Singapore   China	
ARCHITECT	
<b>m a a r c h i t e c t s p v t . l t d .</b> Jalpur - Bangalore - Hyderabad Plot No. -1, greenwoods, Lal Kothi Scheme, off Sahkar Marg, Jalpur-302001 Tel : 91 141 4299999, email - studio@maarchitects.in web-www.maarchitects.in	
STRUCTURAL CONSULTANT	
<b>Dixcons Consulting Engineers</b> #7, GF, Rohini Enclave, 14th main, 1st cross Ultrahalli Main Road, Bangalore-61. Ph:26395244	
MEP CONSULTANT	
REV.	DESCRIPTION
00	27.03.2019 Good For Construction
PROJECT : gvrc	
DRAWING TITLE : MATERIAL ENTRANCE GUARD ROOM STRUCTURAL DETAILS	
PROJ. NO: 054	DATE: 27-03-2019
DRAWING NO: KSI-GVRC-ME-GH-SD01-REV 00	
<b>SD01</b>	SCALE SHEET NO 01 OF 01
PROGRAMMER	PREPARED BY
CHECKED BY	APPROVED BY