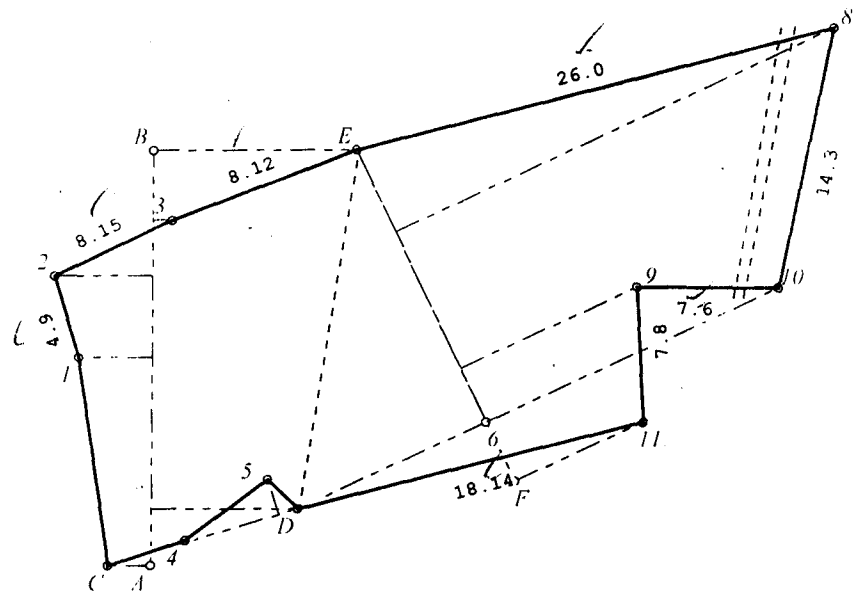


Survey Number : 19 ✓
 Tlazi Number : 18 ✓
 Taluqa Number : 132 ✓
 Village : Mallapur ✓

Area : Ac 15-38 Guntas ✓
 Mandal: Uppal ✓
 District: Ranga Reddy ✓
 State: Andhra Pradesh ✓



					F
11	7-8	3-9	*		
10	17-0	0-4	^		
D	11-0	3-0	*		
9	10-5	8-3			
8	25-8	4-14	*		
					E
					D
					1-7
5	2-0	5-2	^		
4	0-2	4-4	*		
					C
					B
		3-12	*	10-12	E
		3-0	*	1-0	3
2	5-2	4-7	*		
1	3-14	8-4	✓		
		3-1	'	7-12	D
C	2-4	0-0	✓		
					A

Scale : 1 in 4024
 Units : Chain-Anna
 Chain = 33ft

Checked by P. 7/10/23
 23/5/03

Survey Number : 18 & 17

Mazi Number : 17

Chalta Number : 133

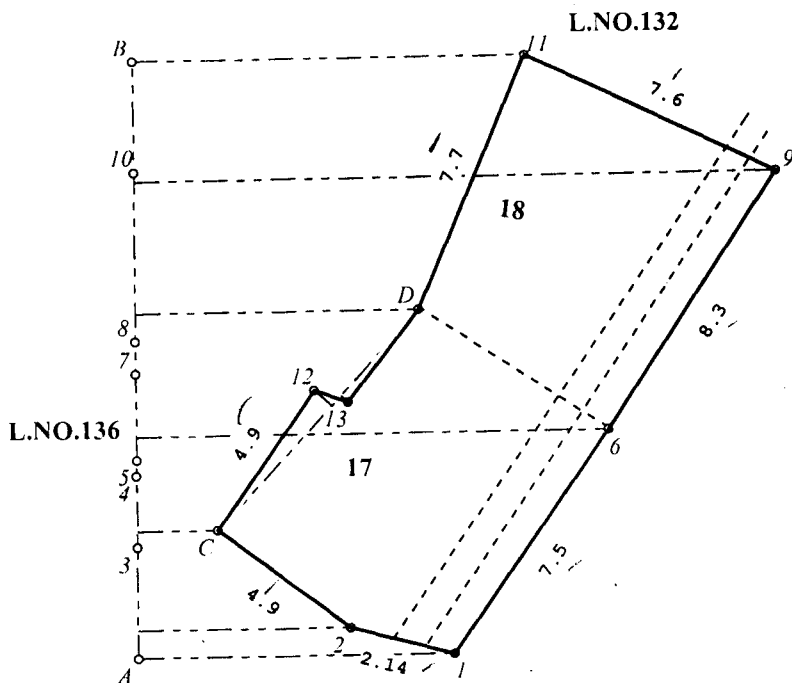
Village : Mallapur

Area : Ac 2-25 Guntas

Mandal: Uppal

District: Ranga Reddy

State: Andhra Pradesh



			D	
			3-1 +	
			0-6 +	0-4 13
12	0-10		4-8 +	
			C	
			B	
			3-0 +	10-6 11
			0-4 +	0-0 10
			3-9 +	17-0 9
			0-12 +	7-8 D
			0-14 +	0-0 8
			1-11 +	0-0 7
			0-10 +	12-8 6
			0-7 +	0-0 5
			1-8 +	0-0 4
			0-7 +	2-2 C
			2-4 +	0-0 3
			0-12 +	5-10 2
			0-0 +	8-6 1
			A	

Scale : 1 in 2012

Units : Chain-Anna

1 Chain = 33ft

Checked by
 23/5/03

Survey Number : 21

Plazi Number : 20

Chalta Number : 137/2

Village : Mallapur

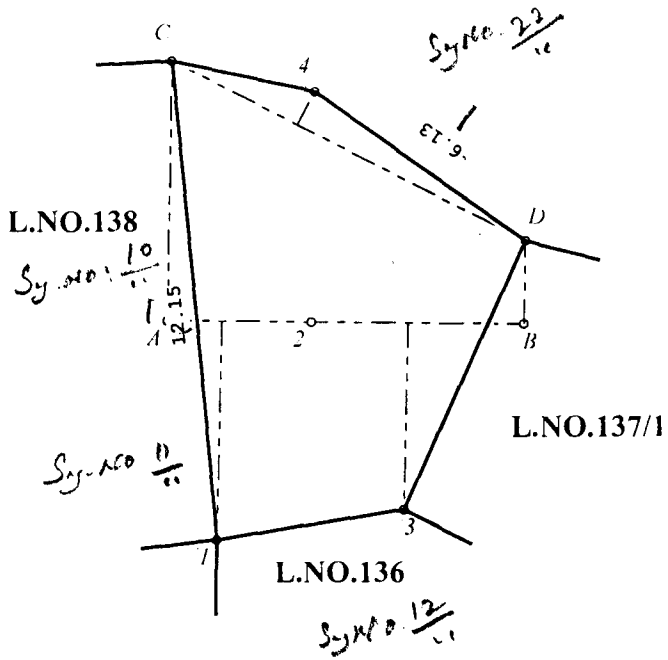
Area : Ac 1.20 Guntas

Mandal: Uppal

District: Ranga Reddy

State: Andhra Pradesh

N



Scale : 1 in 2012

Units : Chain-Anna

1 Chain = 33ft

		D		
4	1-0	6-12 ✓		
		3-12 ✓		
		C		
		B		
D	2-4	3-1 ✓		
		2-9 ✓	5-0	3
		2-6 ✓	0-0	2
		1-7 ✓	5-14	1
C	7-0	0-0 ✓		
		A		

Checked by
 13/10/12
 24/5/03

Survey Number : 20 ✓

Mazi Number : 19 ✓

Chalta Number : 137/1 ✓

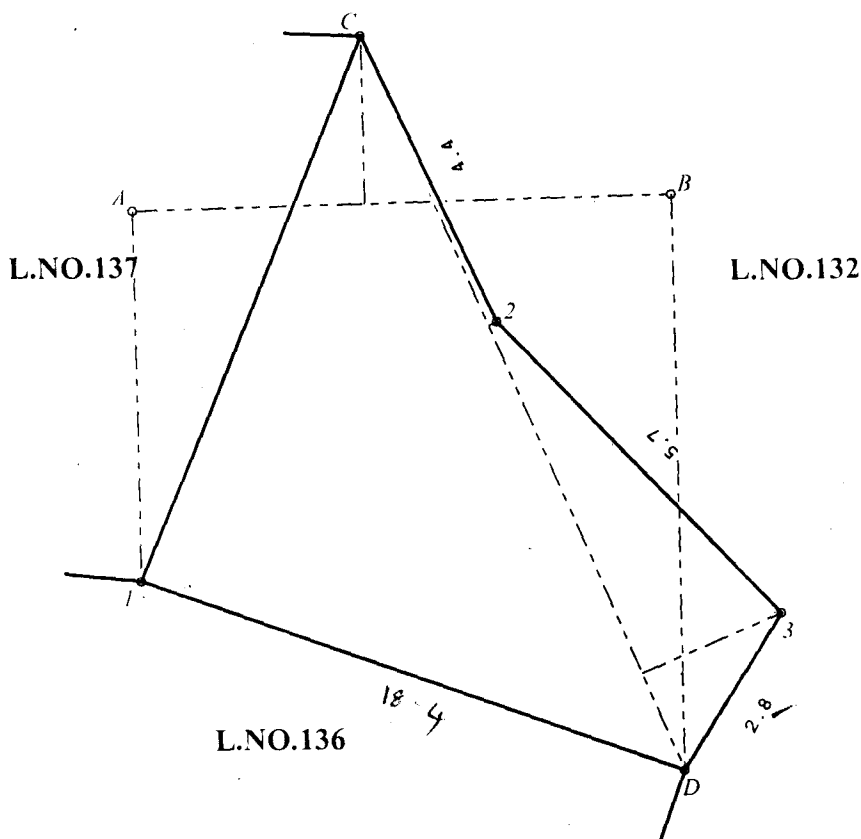
Village : Mallapur ✓

Area : Ac 1-13 Guntas

Mandal: Uppal

District: Ranga Reddy

State: Andhra Pradesh



Scale : 1 in 1006

Units : Chain-Anna

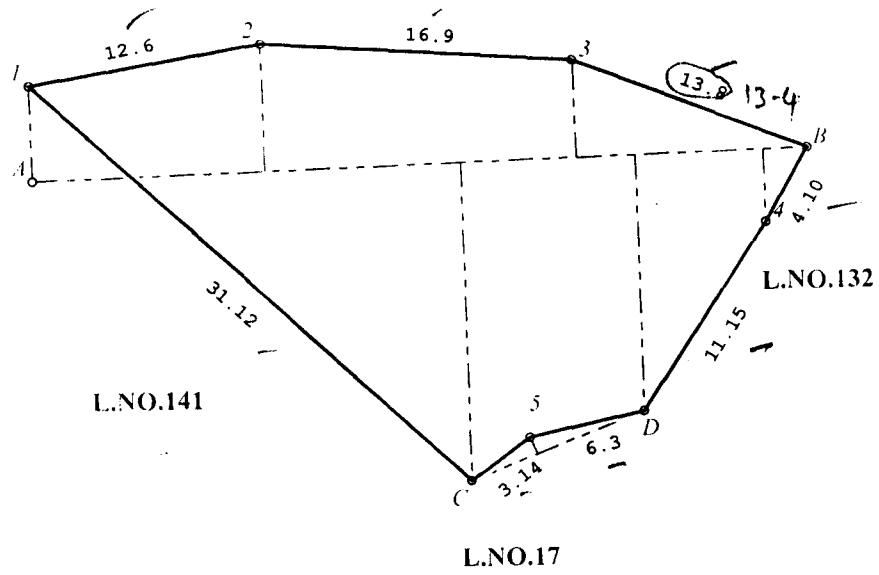
1 Chain = 33ft

		D		
		1-7 ✓		
3	2-0	5-2 ✓		
2	0-2	4-4 ✓		
		C		
		B		
C	2-4	4-1 ✓	7-12	D
		3-1 ✓		
		0-0 ✓	5-0	1
		A		

Char Reddy
Govt
23/5/03

Survey Number : 22
 Taza Number : 21
 Talata Number : 140
 Village : Mallapur

Area : Ac 13-23 Guntas
 Mandal: Uppal
 District: Ranga Reddy
 State: Andhra Pradesh



			D	
			6-2 ✓	
5	1-0		3-12 ✓	
			C	
			B	
			2-5 ✓	
			6-12 ✓	3-14 4
			3-2 ✓	13-12 D
3	5-4		6-2 ✓	
			10-6 ✓	17-2 C
2	6-14		12-4 ✓	
1	5-2		0-0 ✓	
			A	

Scale : 1 in 4024
 Units : Chain-Anna
 1 Chain = 33ft

Checked by
[Signature]
 23/5/03

Survey Number : 24

Mazi Number :

Chalta Number : 34

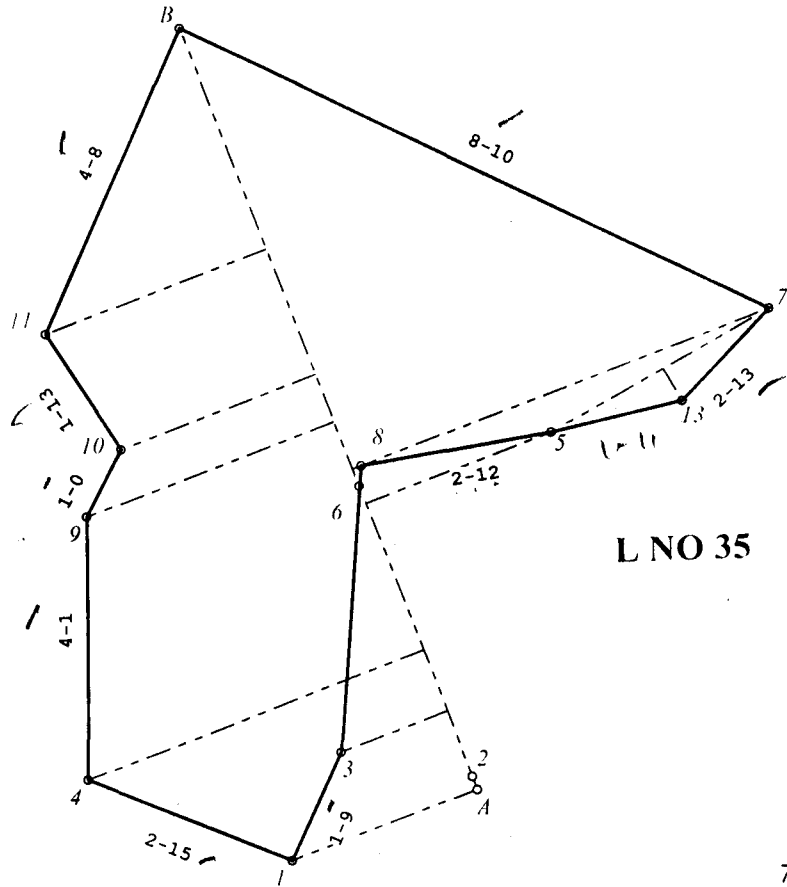
Village : Mallapur

Area : Ac 1-10 Guntas

Mandal: Uppal

District: Ranga Reddy

State: Andhra Pradesh



L NO 35

			7	
			1-12 ✓	
			1-4 ✓	0-8 13
			5	
			B	
			3-3 ✓	
			1-13 ✓	
			0-11 ✓	
			0-11 ✓	
			0-0 ✓	5-14 7
			0-4 ✓	0-2 8
			0-4 ✓	0-0 6
			2-2 ✓	2-10 5
4	4-12		0-14 ✓	
3	1-8		0-15 ✓	
			0-3 ✓	0-0 2
1	2-10		0-0 ✓	
			A	

Scale : 1 in 1006

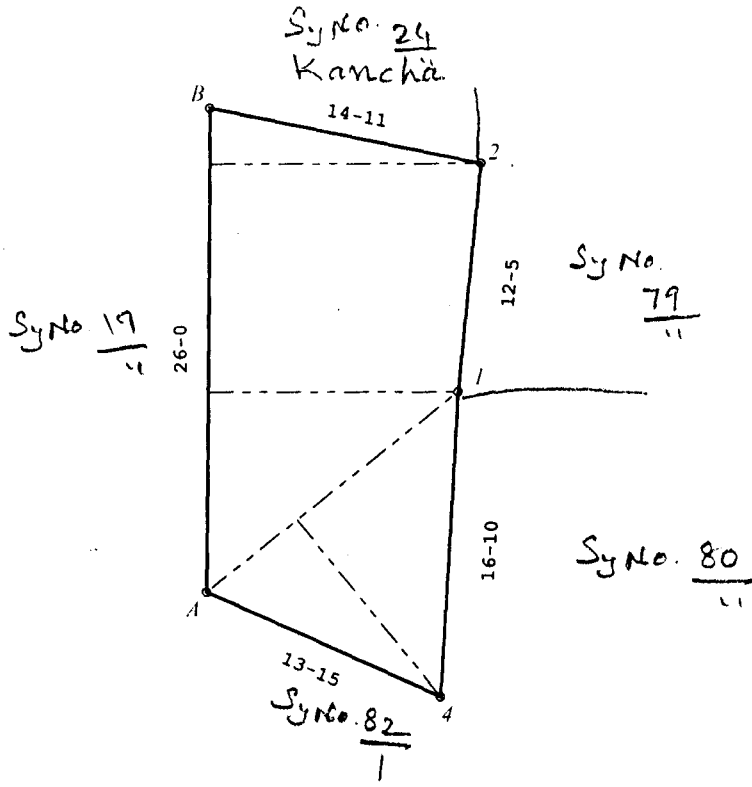
Units : Chain-Anna

1 Chain = 33ft

Checked by M. S. R. 20/5/03

Survey Number : 81 ✓
 Mazi Number : 66 ✓
 Chalta Number : 152 ✓
 Village : Mallapur ✓

Area : Ac 9-9 Guntas
 Mandal: Uppal ✓
 District: Ranga Reddy ✓
 State: Andhra Pradesh ✓



Scale : 1 in 4024
 Units : Chain-Anna
 1 Chain = 33ft

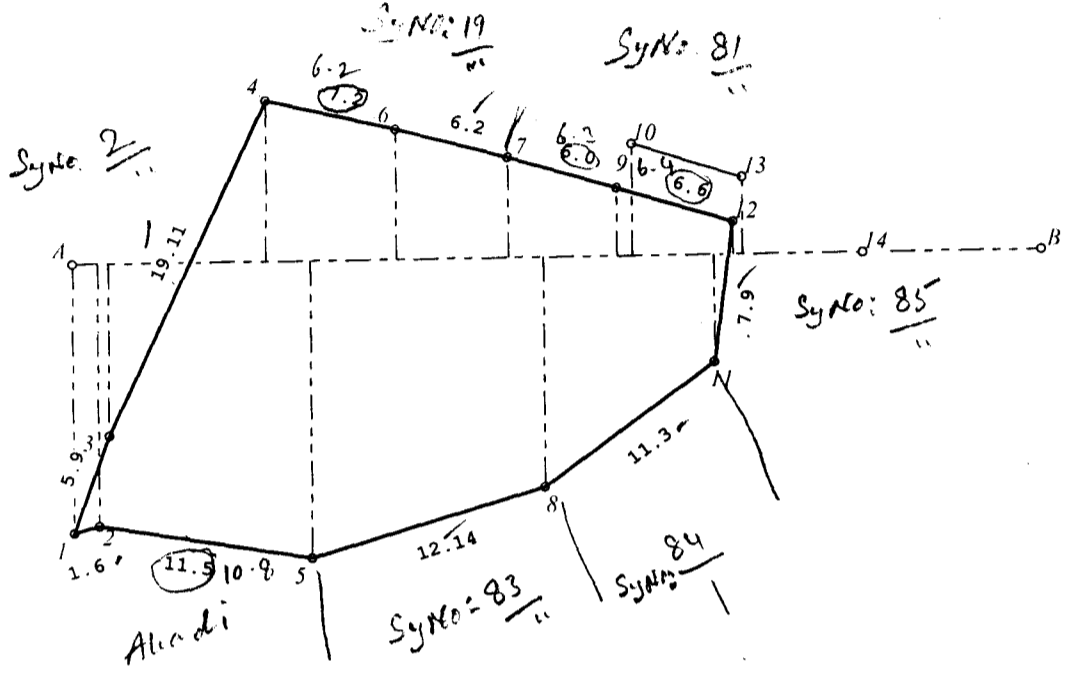
Checked by

*13/11/03
 22/5/03*

1		
11-0 ✓		
6-2 ✓	12-4	4
A		
B		
3-0 ✓		
12-4 ✓	14-6	2
10-12 ✓	13-4	1
A		

Survey Number : 82
 Mazi Number : 67
 Chalita Number : 82
 Village : Mallapur

Area : Ac 13-14 Guntas
 Mandal : Uppal
 District : Ranga Reddy
 State : Andhra Pradesh



		B	
		9-7	
		6-5	0-0 14
		0-8	
13	4-2	1-0	
12	1-12	4-5	5-12 11
		0-13	
10	6-0	3-14	
9	3-10	1-14	12-6 8
		5-15	
7	5-6	4-9	
6	7-0	2-5	16-0 5
		8-5	
4	8-10	0-9	9-4 3
		1-5	14-2 2
		0-0	14-8 1
		A	

Scale : 1 in 4024
 Units : Chain-Anna
 1 Chain = 33ft

checked by
[Signature]
 24/5/03

Survey Number : 12

Mazi Number : 12

Chalta Number : 131

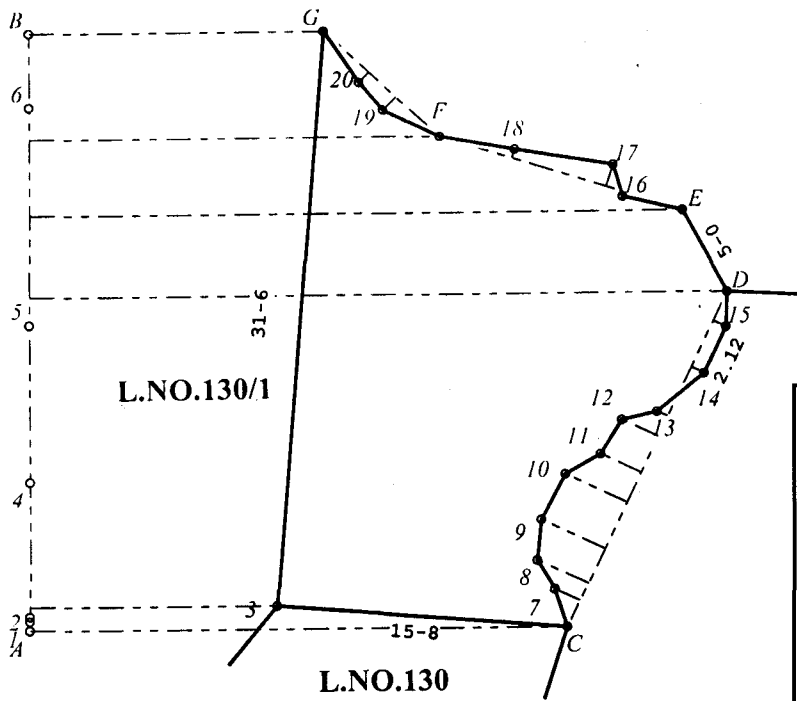
Village : Mallapur

Area - Ac 11 1/2 Guntas

Mandal: Uppal

District: Ranga Reddy

State: Andhra Pradesh



20	0-12	G		
19	1-0	3-1		
		1-15		
		3-3		
		F		
		F		
		3-15		
		5-4	0-8	18
		1-0	1-4	17
16	0-4	3-4		
		E		
		D		
		2-4		
		2-12	0-12	15
		2-15	0-12	14
13	0-10	1-3		
12	2-2	2-2		
11	2-6	1-12		
10	3-10	2-12		
9	3-12	2-1		
8	3-0	1-0		
7	1-8	1-9		
		C		
		B		
		0-0	15-8	G
		4-0	0-0	B
		1-12	0-0	6
		4-2	21-10	F
		4-6	34-8	E
		1-8	36-14	D
		8-7	0-0	5
		6-12	0-0	4
		0-8	13-0	3
		0-4	0-0	2
		0-8	0-0	1
		0-0	28-6	C
		A		

Scale : 1 in 4024

Units : Chain-Anna

1Chain = 33ft

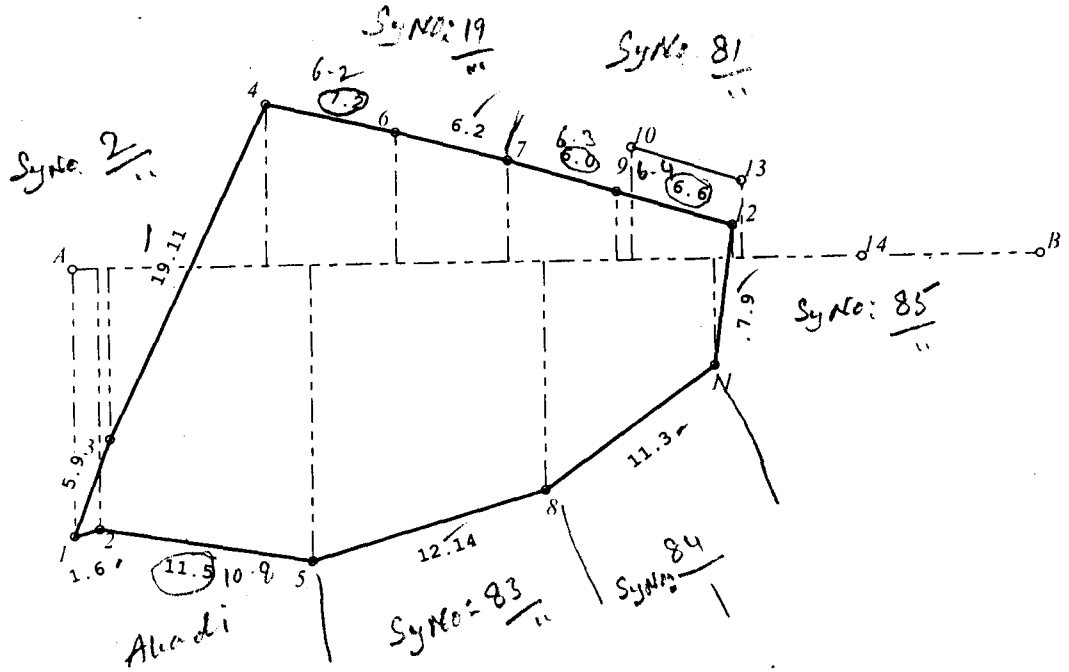
Checked by

23/5/03

cb (577)

Survey Number : 82
 Mazi Number : 67
 Chalta Number : 82
 Village : Mallapur

Area = Ac 13-14 Guntas
 Mandal: Uppal
 District: Ranga Reddy
 State: Andhra Pradesh



		B	
		9-7	
		6-5	0-0 14
13	4-2	0-8	
12	1-12	1-0	
		4-5	5-12 11
10	6-0	0-13	
9	3-10	3-14	
		1-14	12-6 8
7	5-6	5-15	
6	7-0	4-9	
		2-5	16-0 5
4	8-10	8-5	
		0-9	9-4 3
		1-5	14-2 2
		0-0	14-8 1
		A	

Scale : 1 in 4024
 Units : Chain-Anna
 1 Chain = 33ft

Checked by

B. P.
 2415703