

wed. 9/12/09.

Srin Rao - Modi & Modi

- B) HT works.
2. 1.5 fuse set - Ygini - to comp. room!
 3. 9.1 mtr PNe - " - "

HT works.

- 6) Street lights
- done by us
- ceiling salt supply
in chamber in
feeder box building
transformer
- done by us

A) Cable + Earth works.

3) CI pipe - sinking

4) GI " - erection.

done by us

Most work
has been done
by team of us

+ Subramanyam - a consultant -
see paper comments!

Srin

Recd on
11/9/09

VKAS POWER PROJECTS

3-112/5; Fatehnagar; Hyderabad

Our Ref:: Vkas/NH R/09/01

Dated 11/09/09

To; M/S Modi Properties & Investments Pvt.Ltd

- correct
acct. name!

~~Modi & Modi Constructions~~
Nilgiri Homes; Rampalli Secunderabad

Sir; Subjects:: Final Bill-Regarding

Ref: WO No 477 Dtd.19.06.2009

We have supplied almost all L.T. Pannel Boards ;Completed Laisoning with APCPDCL and also H.T. Works as follows and are waiting for supply of Cable for laying at site. Mean while I request you to kindly arrange for 80 % of the bill and oblige

- ✓ A) Laisoning with APCPDCL Rs. 65,000.00
- ✓ B) H.T.Works
 - 1. Supply and erection of Box Poles @ Rs 15,000/-x 1 no = Rs.15,000.00
 - 2. Supply and erection of A.B.Sw & H.G Fuse 1.5 set @ Rs.12,000/-x1.5=Rs18,000.00
 - 3. Supply and erection of Stay-set to9.1 Meter PSCC Pole @5,000/-x1 Nos= Rs.5,000.00
 - 4. Supply and Laying of 3x 50 sq.mm.Cables @Rs. 100/- x 160 Mtrs= Rs.16,000.00
 - 5. Supply and erection of End Terminations @ Rs 5,000/-x 2 nos= Rs.10,000.00

Sub total 64,000.00

C) L.T.Pannels

- 1. Supply and erection of Main Distribution Board @ 32,000/-x1 Nos=Rs.32,000.00
- 2. 1. Supply and erection of Main Distribution Board for Generator @ 32,000/-x1 Nos=Rs.32,000.00
- 3. Supply and Erection of Double Ckt Feeder Box Rs 25,000/-x 2 Nos= Rs 50,000.00
- 4. Supply and Erection of Single Ckt Feeder Box Rs.25,000/-x 2 Nos= Rs.50,000.00
- 5. Supply and Erection of Gen.Feeder Box Rs4,000/- x 4 nos= Rs.16,000.00
- 6. Supply and Erection of Street light / Pumps Control Box COS @ Rs.8,000/-x2nos= Rs 16,000.00

Sub total Rs Rs.1,96,000.00

SMY
9/12/09

+ →

SMY
12-9-09
& 2-11-09

outside - chke Yodgi n!
S Ham
chke @ site Yodgi n!
chke with Yodgi n!

VKAS POWER PROJECTS

3-112/5; Fatehnagar; Hyderabad

Our Ref:: Vkas/MAM/RP/09/04B

Dated 25/10/09

To; M/S Modi & Modi Homes Pvt.Ltd

Nilgiri Homes/RampaLLI

Sir;

Subjects:: Final Bill FOR hH.T.Works ---Regarding

Ref:: W.O.No 477 Dtd 19..06..09

- 1 Supply and Erection of Box Pole @ Rs.15,000.00
1. Supply and Erection of A.B.Sw.& H.G.Fuses @ 12,000/-x1.5=Rs. 18,000.00
- 3, Laying Of HT 3x50 Cable Rs 100/-x160M= Rs 16,000.00
4. Supply and Erection of End Terminations 2nosx @ 5,000.00= Rs,10,000.00
- 5.Supply and Erection of X arm, 55sq.mm Conductor etc @ 9,000.00x1 no= Rs9,000.00

Sub Total Rs 50.000.00

for VKAS POWER PROJECTS


Proprietor.

T.Kamal Singh

VKAS POWER PROJECTS

Recd on
10/8/09

3-112; Fatehnagar'Hyderabad.

Our Ref :: VKAS/RB/MOAM/09/01

5/09/09

To

M/S Modi & Modi Constructions

Secunderabad

Sir

Subject:: Running Bill No.1

Ref::

Your Work Order No.

S. Rao
+ Subramanyam!
call - how much
my note.
made so far!
+ bills received!
Smm/9/10/09

Please find herewith our first Running bill for Liasoning & materials supplied at NILGIRI HOMES:Rampally

S.No.	Item	Amount	Present Claim	Remarks
A)	Liasoning	Rs 65,000	Rs.50,000.00	
B)	H.T Works			
1,	Box Pole	Rs 15,000.00	Rs.15,000.00	
2.	AB SW & HG Fuse	Rs 12,000.00	Rs,12,000.00	
C)	L.T.Works			
1.	M.D.B (Main)	Rs.32,000.00	Rs 25,600.00	
2.	M.D.B(Gen)	Rs.32,000.00	Rs.25,600.00	
3.	D.Ckt. Feeder Box	Rs.50,000.00	Rs 40,000.00	
4.	S.Ckt Feedr Box	Rs.50,000.00	Rs.40,000.00	

Smm
9/10/09

5. Gen Feedr Box

Rs 16,000.00

Rs 12,800.00

Total

Rs.2,06,000.00

Please arrange for the due payment as all other works are in progress and charging the transformer needs little more fund,

Thanking you


T. Kamal Singh

Date: 19.06.2009.

From,
M/s. Modi & Modi Constructions,
5-4-187/3& 4, II Floor M. G. Road,
Secunderabad -500 003

*Recd on
01-12-09*

To,
Mr. T. Kamal Singh,
M/s. VKAS Power Projects,
Fatehnagar,
Hyderabad.

WORK ORDER

Sub: Confirmation of Work Order for LT & HT works, on a turn key basis for our project Nilgiri Homes for Bunglow Nos. 48 to 95 -48 bungalows at Rampally, Hyderabad.

Ref: 1) Your Quotation dtd : 10.06.09.
2) Our personal meeting dtd.22.06.09.

Dear Sir,

With reference to the above, we hereby award you the work order for the LT & HT works on a turn key basis as per the details mentioned below:

Sl. No.	Description of Work	Qty.	Rate Rs.	Amount Rs.
1.	Liasoning :-			
a)	Liasoning with APCPDCL	LS	65,000.00	65,000.00 ✓
			Sub Total	65,000.00
2.	H.T Works:- (1 span)			
a)	Supply & Erection of Box Pole.	1No.	15,000.00	15,000.00 ✓ 18,000
b)	Supply & Erection of A.B.Switch & H.G Fuse Set Box.	1No.	12,000.00	12,000.00 ✓ 12,000
c)	Supply & Terminations of 3 x 35sq.mm cables (XLPE Cables)	2Nos.	5,000.00	10,000.00 ✓
d)	Laying of H.T. Cables @ Rs.75x160mtrs	160mtrs	75.00	12,000.00
			Sub Total	49,000.00

These All works completed

Certified by

[Signature]

Project Manager/Engg.
Modi & Modi Constructions

*Amey
9/12/09*

3.	L.T.Works :-			
a)	Supply & Erection of Main Dist. Board (for APCPDCL) made of 16 gauge CRCA steel sheet with doors P.C with "Siemens" Grey color powder with 200 Amps as incomer & 4 nos ..100 Amps M _{CCB} (all Merlin Gerin make)	1 No.	32,000.00	32,000.00 ✓
b)	Supply & Erection of Main Dist. Board (for Generator) made of 16 gauge CRCA steel sheet with doors P.C with "Siemens" Grey color powder with 200 Amps as incomer & 4 nos ..100 Amps M _{CCB} (all Merlin Gerin make)	1 No.	32,000.00	32,000.00 ✓
c)	Supply & Erection of Double Circuit Double door Feeder Boxes with 125/63A M _{CCB} & Average 9 sets of outgoing with 3x32A MDS MCB's.	2Nos.	25,000.00	50,000.00 ✓
d)	Supply & Erection of Single Circuit Double door feeder boxes with 125/63 A M _{CCB} and Average 9 sets of outgoing with 3x32A MDS MCB's.	2Nos.	25,000.00	50,000.00 ✓
e)	Supply & Erection of Gen. feeder box.	4Nos.	4,000.00	16,000.00 ✓
			Sub Total	1,80,000.00
4.	Cables & Earthings :-			
a)	Laying of Main Cables through pipes 3.5CX150/95/70/50sq.mm	445mtrs	25,000.00	25,000.00 ✓
b)	Laying of Generator Cables through pipes 3.5CX150/25/16/10sq.m	530mtrs	20,000.00	20,000.00 ✓
c)	Terminations of Main Cables incl. Lugs, Glands etc.	L.S.	6,000.00	6,000.00 ✓
d)	Terminations of Gen. Cables	L.S.	5,000.00	5,000.00 ✓
e)	Supply & Earthing of around 160KVA Transformer with Cast Iron (3Nos for T/f & 1No. for Gen)	4Nos. ✓	2,000.00	8,000.00 ✓
f)	Interconnections of Earthing by G.I. Flats at T/f, Gen. feeder boxes	8sets ✓	2,000.00	16,000.00 ✓
			Sub Total	80,000.00
			Grand Total	3,74,000.00
	(Rupees Three Lakhs Seventy Four Thousand Only)			

TERMS & CONDITIONS:

- a. Specifications : Specifications shall be as per reference 1 & 2
- b. Payment terms : - Rs. 40,000/- advance
- 80% against supply of each item after delivery on site.
- Balance amount on completion of installation, handing over & commissioning after joint inspection at site.
- c. VAT : All taxes included.
- d. Delivery & Completion: By July 7th 2009.
- e. Penalty for delay : Penalty of 5% will be levied on the total W.O. value for delay beyond one week for every week of delay from the date of scheduled completion date. Penalty amount shall be deducted / adjusted against your payment.
- f. Transportation : It shall be your sole risk and responsibility to delivery the material at our site in time. Transportation cost shall be paid by you.

These all works completed

Certified by

[Signature]

[Signature]

Project Manager/Engg.
Modi & Modi Constructions

- g. Warranty : You shall provide a warranty of 1 year on all equipment from the date of commissioning / handing over after joint inspection against any manufacturing defects or defects in materials supplied. 1 year free servicing for maintenance, replacement cost of consumables & items provided by us shall be borne by us. 5 Years warranty on "Radhika" transformer from the date of commissioning.
- h. Measurements : Final payment shall be made subject to measurement at site.
- i. Security : You shall be responsible for your material at our site against theft / damage. Lockable rooms shall be provided on request.
- j. Others : Above W.O. excludes – Aluminium Armored Cables Cost.

i) HT – XLPE Cables 3Cx35sq.mm, approx 160mtrs @ Rs.315/-mtr

ii) Mains Cables – LT Cables.

3.5C x 150sq.mm, approx 20mtrs @ Rs.405/-mtr.

3.5C x 95sq.mm, approx 186mtrs @ Rs.275/-mtr.

3.5C x 70sq.mm, approx 121mtrs @ Rs.220/-mtr.

3.5C x 50sq.mm, approx 119mtrs @ Rs.165/-mtr.

iii) Generator Cables.

3.5C x 150sq.mm, approx 20mtrs @ Rs.405/-mtr.

4C x 16sq.mm, approx 186mtrs @ Rs.88/-mtr.

3.5C x 25sq.mm, approx 25mtrs @ Rs.109/-mtr.

4C x 10sq.mm, approx 58mtrs @ Rs.70/-mtr.

iv) Street light Cables laying, terminations ✓

v) Erection, assembly of Street light poles & fixtures. ✓

vi) Supply & Earthing near poles & feeder boxes. ✓

These all works completed

Certified by

Project Manager/Engg.
Modi & Modi Constructions

- 160 KVA Transformer cost (approx.) Rs.1,70,000/-
- Civil & Earth works

As confirmation of the above work order, please find enclosed a cheque of Rs. 40,000/- bearing Chq. No.386172, dtd. 02.05.09 drawn on HDFC Bank.

Please sign a copy of this letter as confirmation of your accepting the above terms and conditions:

Thank You.

Yours sincerely,

For Soham Modi

Confirmed by: VKAS Power Projects

Signature:

Name:

Date:

Certified by
My
Project Manager/Engg.
VKAS Power Projects

for a/ind 09

Recd on
11/9/09

VKAS POWER PROJECTS

3-112/5; Fatehnagar; Hyderabad

Our Ref:: Vkas/NH R/09/01

Dated 11/09/09

To; M/S Modi Properties & Investments Pvt.Ltd

Modi & Nooli Constructions,
Nilgiri Homes; Rampalli Secunderabad

Sir; Subjects:: Final Bill-Regarding

Ref: WO No 477 Dtd.19.06.2009

We have supplied almost all L.T. Pannel Boards ;Completed Laisoning with APCPDCL and also H.T. Works as follows and are waiting for supply of Cable for laying at site. Mean while I request you to kindly arrange for 80 % of the bill and oblige

A) Laisoning with APCPDCL Rs. 65,000.00

B) H.T.Works

1. Supply and erection of Box Poles @ Rs 15,000/-x 1 no = Rs.15,000.00
 2. Supply and erection of A.B.Sw & H.G Fuse 1.5 set @ Rs.12,000/-x1.5=Rs18,000.00
 3. Supply and erection of Stay set to 9.1 Meter PSCC Pole @5,000/-x1 Nos= Rs.5,000.00
 4. Supply and Laying of 3x 50 sq.mm.Cables @Rs. 100/- x 160 Mtrs= Rs.16,000.00
 5. Supply and erection of End Terminations @ Rs 5,000/-x 2 nos= Rs.10,000.00
- Sub total 64,000.00

C) L.T.Pannels

1. Supply and erection of Main Distribution Board @ 32,000/-x1 Nos=Rs.32,000.00
2. 1. Supply and erection of Main Distribution Board for Generator @ 32,000/-x1 Nos=Rs.32,000.00
3. Supply and Erection of Double Ckt Feeder Box Rs 25,000/-x 2 Nos= Rs 50,000.00
4. Supply and Erection of Single Ckt Feeder Box Rs.25,000/-x 2 Nos= Rs.50,000.00
5. Supply and Erection of Gen.Feedern Box Rs4,000/- x 4 nos= Rs.16,000.00
6. Supply and Erection of Street light / Pumps Control Box COS @ Rs.8,000/-x2nos= Rs 16,000.00

Sub total Rs Rs.1,96,000.00

Duplicate
11/9/09

A) Cable and Earthing Works

1. Laying of Main 3.5 x 185/120/95/70/50Cables (L.S.)= RsRs.25,000.00
2. Laying of Gen Cables 3.5x70/50/35/25/16 (L.S.)=(Rs.20,000.00
3. Supply and Sinking of C.I.Pipe @ Rs2,000/- x 2= Rs.4,000.00
4. Supply and Erection of G.I.Pipe @ Rs 1,600/-x 6 nos= Rs 9,600.00
5. Inerconnections of T/F & Feeder Boxes @Rs.2000/-x 8 sets=- Rs 16,000
6. Terminations of 185 /120/95/70/50 sq.mmCables @ Rs 6,000.00
7. Terminations of 70/50/35/25/16 sq.mm. Cables @ Rs 6,000.00

Sub total Rs.86,600.00

Total Rs. 4,11,600.00

Rupees Four Lakh Eleven Thousands Six Hundredsonly

If you are are satisfied with our work ,Kinly help me to maintain by kindly arranging part payment and oblige.

Thanking you

Your's Faithfully



T.Kamal Singh'

VKAS POWER PROJECTS

3-112/5; Fatehnagar; Hyderabad

Recd at
19/9/09

Our Ref:: Vkas/NH R/09/01

Dated 11/09/09

To;

M/S Modi Properties & Investments Pvt.Ltd

Secunderabad

Sir

Subject :: Quotation for Shifting L.T.Lines at Nilgiri Homes—Regarding

To charge the site at Nilgiri Homes; APCPDCL is pressuring us to remove L.T. Lines for which the following estimate is at your kind approvals where we shall use old 8.0 mtr PSCC poles available at SOB Cherlapalli office site.

- A) Liasoning Rs 10,000.00
- B) L.T.Works
 1. Supply and E rection of 8.0 Mtrs PSCC Poles @ Rs 500/- (Old Poles to be supplied at site) x8 nos=Rs 4,000.00
 2. Supply and E rection of X aaaarm , Back clamps & Insulators @ Rs 500/-x 12 nos= Rs.6,000.00
 3. Supply and E rection of AAA 34 sq.mm Conductor (8x4x30 Mtrs)=960 Mtrs/10= 96 Kg x@125 = Rs 12,000.00
- Total Rs 22,000.00
- C) Fees ;;Rs 4,000.00
- D) Total Rs. 36,000.00

Kindly approve the scheme at the earliest
Thanking You


T>Kamal Singh

Original copy handed over
to Director.
M. Gao



Central Power Distribution Company of Andhra Pradesh Ltd.

DETAILED ESTIMATE

28.10.12

Sl. No	Particulars	Qty	mat'nial rate	labour	PER	mat'nial	Total	labour
1.	8mtr Psec Poles ^{W.D. @ 25 B}	7	1400	242	E	✓ 9800.00	✓ 5194.00	
2.	LT 3p x' Arms	✓ 6	348		E	✓ 2088.00		
3.	LT Back clamps	✓ 6	66		E	✓ 396.00		
4.	LT Pin Insulators	✓ 9	25		E	✓ 225.00		
5.	LT Shackle Insulators	✓ 9	28		E	✓ 252.00		
6.	34 sqmm AAA Conductor ^{4.00 m/ltr}	✓ 0.4	15004	3605	1cm	✓ 6001.00	✓ 1449.00	
7.	LT Stay sets	✓ 4	1006	320	E	✓ 4024.00	✓ 1312.00	
8.	Dismantling & Re-Stringing of Conductor	✓ 15.	—	—	LS	—	—	✓ 500.00
9.	Dismantling of Poles	✓ 2	—	200	E	—	—	✓ 400.00

12,990/=

Sub-Total Rs ✓ 22786.00 ✓ 8848.00

3% Contingencies Rs. 683.00 ✓

3% S&H charges Rs. 683.00 ✓

7.25% sales TAX Rs. 1751.00 ✓

Rs. 8848.00

L&T

Sub-Total Rs. 34751.00

25% GAT & Genl chgs Rs. 8687.50 ✓

Rs. 43438.50

Total

or say Rs. 43,440.00

MNM. tik



M.M. file

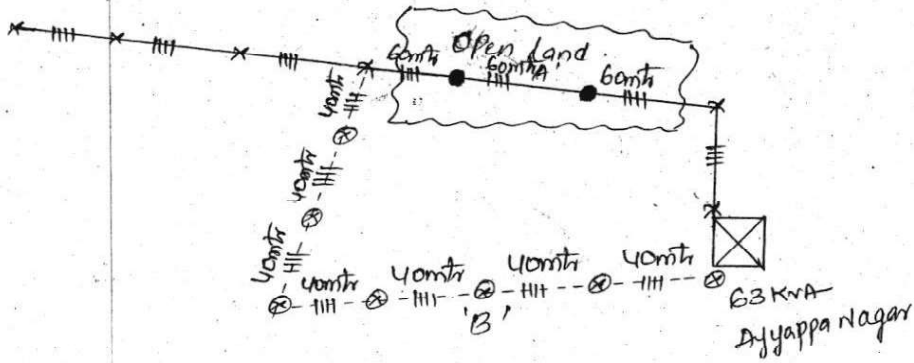
for 3-8-09
length to negotiate
for final auto.!

21,500/-
5,000/- = Fees
5,000/- = Misc. Lab.
31,500/-
30K



Central Power Distribution Company of Andhra Pradesh Ltd.

SKETCH



Reference:-

1. EXTN 63KVA DTR 1 -
2. EXTN LT BY 4-wire! -
3. N/p line to shifted from 'A' to 'B' } -

for 2-2



PREMIER ENGINEERING CORPORATION

183 / 184, Rashtrapathi Road, SECUNDERABAD - 500 003.

Phones : 27538811 / 12 / 13, Fax : 040-27538818.

Email : hyd2_pec@vsnl.net

Website : www.premierenggc.com

TIN No. : 28770111751 CST No. : SEC/05/1/1071 Dt. : 18-07-1980.

Customers Name & Address :

TAX INVOICE

MODI & MODI CONSTRUCTIONS (C)

5-4-187/3&4 III FLOOR M G ROAD

SECUNDERABAD 500 003

CUSTOMER'S TIN NO:

CONSIGNEE

Invoice No

Invoice Dt

Challan No

Challan Dt

P.Order No

P.Order Dt

LR/RR No

LR/RR Dt

Trans Name

TAX-INV-0657

06-08-2009

TAX-DC-0657

06-08-2009

6584

03-08-2009

Particulars	Batch Number	Code	Qty	Rate	Dis %	Dis Amt	Dis Price
GLOSTER AL CONDUCT 3C*50SQMM INDUSTRIAL CABLE 11KV(E) HT	31-08-0668		150	862.00	68.50	88570.50	40729.50
GLOSTER AL CONDUCT 3.5C*185SQMM INDUSTRIAL CABLE	21-08-14110		16	1191.50	68.50	13058.84	6005.16
GLOSTER AL CONDUCT 3.5C*50SQMM INDUSTRIAL CABLE	21-09-07537		222	407.67	68.50	61994.38	28508.36
GLOSTER AL CONDUCT 3.5C*185SQMM INDUSTRIAL CABLE	21-08-14110		16	1190.50	68.50	13047.88	6000.12
Closing Balance						176671.60	81243.14



4685.08

Rupees :

NOTE : PAYMENT BY PAYEES A/C CHEQUE ONLY

Remarks :

C Form No. :

Dated :

HTD

Due Date for Payment

Interest will be charges @ 16% P.A. if payment not received before due date.

For **PREMIER ENGINEERING CORPORATION**

Customer Signature

Stores

Authorised Signatory

SUBJECT TO SECUNDERABAD JURISDICTION

E & O E



PREMIER ENGINEERING CORPORATION

183 / 184, Rashtrapathi Road, SECUNDERABAD - 500 003.

Phones : 27538811 / 12 / 13, Fax : 040-27538818.

Email : hyd2_pec@vsnl.net

Website : www.premierengcorp.com

TIN No. : 28770111751 CST No. : SEC/05/1/1071 Dt. : 18-07-1980.

Customers Name & Address :

TAX INVOICE

MODI & MODI CONSTRUCTIONS (C)

5-4-187/3&4 III FLOOR M G ROAD

SECUNDERABAD 500 003

CUSTOMER'S TIN NO:

CONSIGNEE

Invoice No

TAX-INV-0657

Invoice Dt

06-08-2009

Challan No

TAX-DC-0657

Challan Dt

06-08-2009

P.Order No

6564

P.Order Dt

03-08-2009

LR/RR No

LR/RR Dt

Trans Name

Particulars	Batch Number	Code	Qty	Rate	Dis %	Dis Amt	Dis Price
Opening Balance						176671.80	81243.14
GLOSTER AL CONDUCT 3.5C*50SQMM INDUSTRIAL CABLE	21-09-07537		68	407.67	68.50	18989.27	8732.29
GLOSTER AL CONDUCT 3.5C*35SQMM INDUSTRIAL CABLE	21-09-07240		110	308.37	68.50	23235.68	10685.02
GLOSTER AL CONDUCT 3.5C*25SQMM INDUSTRIAL CABLE	21-09-04118		115	261.94	68.50	20634.32	9488.78
GLOSTER AL CONDUCT 4C*16SQMM INDUSTRIAL CABLE	21-08-15103		104	213.00	68.50	15174.12	6977.88
Total						254704.99	117127.11



Rupees :

NOTE : PAYMENT BY PAYEES A/C CHEQUE ONLY

ROUNDED OFF

0.19

INVOICE VALUE

121812.00-

Remarks :

C Form No. : ONE LAKH TWENTY ONE THOUSAND EIGHT HUNDRED AND TWELVE ONLY

HTD

Due Date for Payment

Interest will be charges @ 16% P.A. if payment not received before due date.

For **PREMIER ENGINEERING CORPORATION**

Customer Signature

Stores

Authorised Signatory

SUBJECT TO SECUNDERABAD JURISDICTION

E & O E

Subject to secunderabad Jurisdiction

BINDAL IRON & STEEL CO.,

DEALERS IN : IRON & STEEL

5-4-25, Distillery Road, Ranigunj, SECUNDERABAD - 500 003.

Phones : 27540638, 27540591, Fax : 040-27541468.

TIN No. : 28440223506

M/s. Modi & Modi Constructions
Rampalli
clo. Vikas Power Project

No. **430**
Date : 22/07/09
Truck No. _____
Party's ST. No. _____

PARTICULARS	No. of Pieces	Weight in Kg/Mtrs.	Rate per Kg./Mtr.	AMOUNT	
				Rs.	Ps.
M.s Beam. 6x3	1 Box	275	316	8525	00
				27	00
				400	00
				8952	00
				358	00
				9310	00



Inward no: **345**

Quantity	Quantity
BY <i>[Signature]</i>	DT 22/07/09
NILIGIRI HOMES	

**TAX INVOICE
CASH**

Rupees: *Nine thousand three hundred and ten only*

NOTE : Goods once sold will not be taken back

For BINDAL IRON & STEEL CO.,

[Signature]

TAX INVOICE

RADHIKA TRANSFORMERS PVT. LTD.

(MANUFACTURERS OF POWER & DISTRIBUTION TRANSFORMERS)

Office & Factory : 5-246/4, H.P.C Road, Moosapet, Hyderabad - 500 018.

Ph : 040 - 23700441, 23812298, 65194333, Fax : 040 - 23705057

137

07.08.2009

INVOICE NO.

Date : _____

T M/s. MODI & MODI CONSTRUCTION

Sy. Nos. 128, 129, 132, 133, 134, 135 & 136

Nilgiri Homes, Rampally (V), Keesara Section

Sainikpur Sub-Division, Ranga Reddy (Dist)

Your Order No. _____ Dated : _____

Delivery Challan No. _____ Dated : _____

Code No.	DESCRIPTION	Quantity	Price per Unit		AMOUNT	
			Rs.	Ps.	Rs.	Ps.
	11KV/433-250V, 160 KVA oil immersed naturally cooled Three phase, 50 Hz Aluminium wound CSP Type Transformer fixed with nut and bolt with neoprene gasket arrangement the transformer shall be generally confirming to IS-1180/1983 Part I&II of 1979& IS - 2026/1977 (latest version) except where specified otherwise with first filling of oil generally as per IS - 335/1983 (Latest Version) and as per specification.					
	SL.NO : 160 RT 1190709	1	No.	151926		151926
	Add : Basic Excise Duty @ 8%					12154
	Add : Education cess @ 2% (on BED)					243
	Add : Secondary Higher Education Cess @ 1% (On BED)					122
	Total Duty :					12519
	Value Including Excise Duty :					164444
	Add : Value Added Tax @ 12.5 %					20556
	Total Value Including All Taxes :					185000
			Say :			185000
	TIN No. : 28280180702					
	CST No. : HYR/05/02/2176/97-98					
	Valid from : 3-4-97					
	Rupees : (One Lakh Eighty Five Thousand Rupees Only)					

E.&O.E.

Received by _____

For Radhika Transformers Pvt. Ltd.

1. Subject to Hyderabad Jurisdiction Only.
2. Delay Paymet Bank Interest Applicable.

TAX INVOICE

RADHIKA TRANSFORMERS PVT. LTD.

(MANUFACTURERS OF POWER & DISTRIBUTION TRANSFORMERS)

Office & Factory : 5-246/4, H.P.C Road, Moosapet, Hyderabad - 500 018.

Ph : 040 - 23700441, 23812298, 65194333, Fax : 040 - 23705057

137

07.08.2009

INVOICE NO.

Date : _____

M/s. MODI & MODI CONSTRUCTION

Sy. Nos. 128, 129, 132, 133, 134, 135 & 136

Nitgiri Homes, Rampally (V), Keesara Section

Sainikpur Sub-Division, Ranga Reddy (Dist)

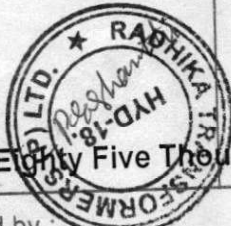
Your Order No. _____

Dated : _____

Delivery Challan No. _____

Dated : _____

Code No.	DESCRIPTION	Quantity	Price per Unit		AMOUNT	
			Rs.	Ps.	Rs.	Ps.
	11KV/433-250V, 160 KVA oil immersed naturally cooled Three phase, 50 Hz Aluminium wound CSP Type Transformer fixed with nut and bolt with neoprene gasket arrangement the transformer shall be generally confirming to IS-1180/1983 Part I&II of 1979& IS - 2026/1977 (latest version) except where specified otherwise with first filling of oil generally as per IS - 335/1983 (Latest Version) and as per specification.					
	SL.NO : 160 RT 1190709	1				
		No.	151926		151926	
	Add : Basic Excise Duty @ 8%				12154	
	Add : Education cess @ 2% (on BED)				243	
	Add : Secondary Higher Education Cess @ 1% (On BED)				122	
	Total Duty :				12519	
	Value Including Excise Duty :				164444	
	Add : Value Added Tax @ 12.5 %				20556	
	Total Value Including All Taxes :				185000	
				Say :	185000	
	TIN No. : 28280180702					
	CST No. : HYR/05/02/2176/97-98					
	Valid from : 3-4-97					
	Rupees : (One Lakh Eighty Five Thousand Rupees Only)					



E.&O.E.

Received by :

For Radhika Transformers Pvt. Ltd.

1. Subject to Hyderabad Jurisdiction Only.
2. Delay Paymet Bank Interest Applicable.

Date: 10.09.09

TO,
M.D
Sir,

Sub: L.T. & H.T works.

We have issued work orders on No. Kamal Singh, m/s Vha, power projects for L.T + H.T works for our PMR '3c' block, SOB - Ph. III & MAM sites. The details are as follows.

relm 1,50,000/-
relm 50,000/-
beta relm 25,000/-

- 1) PMR - '3c' ~~Block~~ 'D' Blocks. W.O. Value - Rs. 3.70 lac. Released Rs. 1.50 for the above blocks.
- 2) SOB - Ph. III W.O. Value - Rs. 4.85 lac. - Rs. 1.90 lac paid till date
- 3) MAM. W.O. Value. - Rs. 3.74 lac - Rs. 2.40 lac paid till date.
- 4) PMR - 'A' Block - 2.37 lac - Rs. 1.08 lac paid till date

All the 3 transformers delivered and installed at above sites and charging is going on and will be completed within ~~two~~ 2 days (As per Mr. Kamal Singh).

Mr. Kamal Singh requesting for some payment to meet his (employee/workers payment) commitments.

put up for your kind consideration.

M. S. Rao

Prady

Bss

copy
copy send to Mr. S. Rao on 14.9.09
Prady

Mon. - Sept. 7 '09

- Roopa - ~~what~~ at PNR -
How chke how much pymts
been made to Kugh +
VAPS power projects ??

'A' Block -

- Rosperh - SOB - III
amts - paid

??
??

- Keerthi - M n M -
amts paid

M&M { Total payment
made is Rs 240000

- MFI - Transformer
chke
- Venu Babu .
delivered - chke?!

GJM .

PURCHASE ORDER

PO No. A 6458 Original / Office Copy / Purchase Div. Copy
From: Modi & Modi Constructions
5-4-187/3&4, II floor, M G Road, Secunderabad, 500003
To: Radhika Transformers Pvt. Ltd.,
5-246/4, H.P.C. Road, Hyderabad - 18.

PO Date: 11/Jul/09

Quotation No. Nil

Quotation Date: 09/Jul/09

Contact Person: Mr. Chakravarthy

Purchase order for Supply of the following items:

S No	ID No:	Item	Other Specs.	Quantity	Rate	Disc- ount %	VAT %	Amount in Rs.
1	2013:	Electrical-Transformer- in nos	160KVA	1.00	185000	0	0	185.000

Terms Conditions:

Total Order Value in Rs. 185.000

Specifications / Brand All items shall be of "Radhika" brand. as per quotation dtd. 09.07.09.

Payment Terms Rs.50,000/- advance, balance on satisfactory qty check & delivery.

Tax All taxes included in above price.

Delivery Date On Tuesday dtd. 14.07.09.

Delivery Location Nilgiri Homes
Sy No:143/133/134/135/136 .Rampally Village.

Penalty for Delay Nil

Transport Cost Included in the above price.

Warranty 5 years guarantee from dtd of commissioning against mfg defects.

Advance Paid Rs. 50,000/- vide Chq. No. 512208. dtd. 09/07/09, drawn on HDFC bank.

Other Terms We reserve the right to reject items not conforming to qty & specs. Above order for bungalow No.48 to 95. total Villas 48nos electricity connection purpose. (Req.No.16632)

For Modi & Modi Constructions

Accepted the above Terms and Conditions

For Radhika Transformers Pvt. Ltd..

Authorised Signatory

Name:

[Handwritten Signature]
Name: CHANDRANATH MODY

Name:

Date:

[Handwritten Signature] Admin Officer,
Phone: 9908282828

M & M	Cl. no.	Ant	material	dt
(1)	VKas - 294009	- 7200	Function box	- 07/11/2009
(2)	" - 386172	- 40,000	(Advance)	- 02/15/09
(3)	" - 512239	- 1,00,000	(80% billuwa)	11/2/09
(2)	Radwika - 52208	- 50,000	(160kVA)	9/7/09
(3)	Kamal Singh 386363	- 50,000	(LT works)	- 15/6/09

12/8/09
Radwika

Original/Office Copy/Purchase Div. Copy

Date: 19.06.2009.

From,
M/s. Modi & Modi Constructions,
5-4-187/3& 4, II Floor M. G. Road,
Secunderabad -500 003

To,
Mr. T. Kamal Singh,
M/s. VKAS Power Projects,
Fatehnagar,
Hyderabad.

WORK ORDER

Sub: Confirmation of Work Order for LT & HT works, on a turn key basis for our project Nilgiri Homes for Bunglow Nos. 48 to 95 -48 bungalows at Rampally, Hyderabad.

Ref: 1) Your Quotation dtd : 10.06.09.
2) Our personal meeting dtd.22.06.09.

Dear Sir,

With reference to the above, we hereby award you the work order for the LT & HT works on a turn key basis as per the details mentioned below:

Sl. No.	Description of Work	Qty.	Rate Rs.	Amount Rs.
1.	Liasoning :-			
a)	Liasoning with APCPDCL	LS	65,000.00	65,000.00
			Sub Total	65,000.00
2.	H.T Works:- (1 span)			
a)	Supply & Erection of Box Pole.	1No.	15,000.00	15,000.00
b)	Supply & Erection of A.B.Switch & H.G Fuse Set Box.	1No.	12,000.00	12,000.00
c)	Supply & Terminations of 3 x 35sq.mm cables (XLPE Cables)	2Nos.	5,000.00	10,000.00
d)	Laying of H.T. Cables @ Rs.75x160mtrs	160mtrs	75.00	12,000.00
			Sub Total	49,000.00

SMU

3.	L.T.Works :-			
a)	Supply & Erection of Main Dist. Board (for APCPDCL) made of 16guage CRCA steel sheet with doors P.C with "Siemens" Grey color powder with 200 Amps as incomer & 4 nos ..100 Amps MCCB (all Merlin Gerin make)	1 No.	32,000.00	32,000.00
b)	Supply & Erection of Main Dist. Board (for Generator) made of 16guage CRCA steel sheet with doors P.C with "Siemens" Grey color powder with 200 Amps as incomer & 4 nos ..100 Amps MCCB (all Merlin Gerin make)	1No.	32,000.00	32,000.00
c)	Supply & Erection of Double Circuit Double door Feeder Boxes with 125/63A MCCB & Average 9 sets of outgoing with 3x32A MDS MCB's.	2Nos.	25,000.00	50,000.00
d)	Supply & Erection of Single Circuit Double door feeder boxes with 125/63 A MCCB and Average 9 sets of outgoing with 3x32A MDS MCB's.	2Nos.	25,000.00	50,000.00
e)	Supply & Erection of Gen. feeder box.	4Nos.	4,000.00	16,000.00
			Sub Total	1,80,000.00
4.	Cables & Earthings :-			
a)	Laying of Main Cables through pipes 3.5CX150/95/70/50sq.mm	445mtrs	25,000.00	25,000.00
b)	Laying of Generator Cables through pipes 3.5CX150/25/16/10sq.m	530mtrs	20,000.00	20,000.00
c)	Terminations of Main Cables incl. Lugs, Glands etc.	L.S.	6,000.00	6,000.00
d)	Terminations of Gen. Cables	L.S.	5,000.00	5,000.00
e)	Supply & Earthing of around 160KVA Transformer with Cast Iron (3Nos for T/f & 1No. for Gen)	4Nos.	2,000.00	8,000.00
f)	Interconnections of Earthing by G.I. Flats at T/f, Gen. feeder boxes	8sets	2,000.00	16,000.00
			Sub Total	80,000.00
	(Rupees Three Lakhs Seventy Four Thousand Only)		Grand Total	3,74,000.00

TERMS & CONDITIONS:

- a. Specifications : Specifications shall be as per reference 1 & 2
- b. Payment terms : - Rs. 40,000/- advance
- 80% against supply of each item after delivery on site.
- Balance amount on completion of installation, handing over & commissioning after joint inspection at site.
- c. VAT : All taxes included.
- d. Delivery & Completion: By July 7th 2009.
- e. Penalty for delay : Penalty of 5% will be levied on the total W.O. value for delay beyond one week for every week of delay from the date of scheduled completion date. Penalty amount shall be deducted / adjusted against your payment.
- f. Transportation : It shall be your sole risk and responsibility to delivery the material at our site in time. Transportation cost shall be paid by you.

- g. Warranty : You shall provide a warranty of 1 year on all equipment from the date of commissioning / handing over after joint inspection against any manufacturing defects or defects in materials supplied. 1 year free servicing for maintenance, replacement cost of consumables & items provided by us shall be borne by us. 5 Years warranty on "Radhika" transformer from the date of commissioning.
- h. Measurements : Final payment shall be made subject to measurement at site.
- i. Security : You shall be responsible for your material at our site against theft / damage. Lockable rooms shall be provided on request.
- j. Others : Above W.O. excludes – Aluminium Armored Cables Cost.

i) HT – XLPE Cables 3Cx35sq.mm, approx 160mtrs @ Rs.315/-mtr

ii) Mains Cables – LT Cables.

3.5C x 150sq.mm, approx 20mtrs @ Rs.405/-mtr.

3.5C x 95sq.mm, approx 186mtrs @ Rs.275/-mtr.

3.5C x 70sq.mm, approx 121mtrs @ Rs.220/-mtr.

3.5C x 50sq.mm, approx 119mtrs @ Rs.165/-mtr.

iii) Generator Cables.

3.5C x 150sq.mm, approx 20mtrs @ Rs.405/-mtr.

4C x 16sq.mm, approx 186mtrs @ Rs.88/-mtr.

3.5C x 25sq.mm, approx 25mtrs @ Rs.109/-mtr.

4C x 10sq.mm, approx 58mtrs @ Rs.70/-mtr.

iv) Street light Cables laying, terminations

v) Erection, assembly of Street light poles & fixtures.

vi) Supply & Earthing near poles & feeder boxes.



- 160 KVA Transformer cost (approx.) Rs.1,70,000/-
- Civil & Earth works


As confirmation of the above work order, please find enclosed a cheque of Rs. 40,000/- bearing Chq. No.386172, dtd. 02.05.09 drawn on HDFC Bank.

Please sign a copy of this letter as confirmation of your accepting the above terms and conditions:

Thank You.

Yours sincerely,

For Soham Modi


(Gaurang Modi)
26.6.09

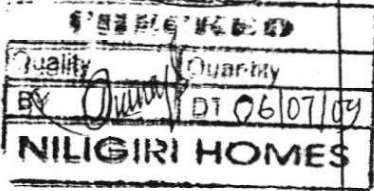

Confirmed by: VKAS Power Projects

Signature:

Name:

Date:

INVOICE

M/s Modi & Modi Constructions. Rampalli, Hyderabad.			VKAS POWER PROJECTS Works : Shop No. 3-112/5, Fathenagar Main Road, Hyderabad - 18.		
Invoice No.	VKAS/024	D.C. No.		P.O. No.	477
Date	06/07/09	Date		Date	19-06-09
Sl. No.	DESCRIPTION	Quantity	AMOUNT		
			Rs.	Ps.	
1.	Fabrication of M.D.B. 200/2x100+2x63 @ Rs 32,000/-	1 no.	32,000	00	
2.	Fabrication of D.ckt. A 16 feeder box @ 25,000/-	2 nos.	50,000	00	
3.	Fabrication of S.ckt feeder box @ Rs 25,000/-	2 Nos.	50,000	00	
	Tax 1%		1,320	00	
293  Blaju			TOTAL	633,320	00
Rupees: One Lakh Thirty Three Thousand Three Hundred Twenty			For VKAS POWER PROJECTS Kamal 6/7/09 PROPRIETOR		

TOT No.: HYR/04/0/1403.

Rs. 1.00 lac has already
 been recommended against
 this bill. Original sent to A/c.
 of 6000

Sir Dear

29-7-89

1st floor

Acetuli -

MAM - Keerthi

& SOB - S'wamyam

to prepare 50,000 / = advance

of 160 kVA transformer
in Java of Radhika!

GPM

Radhika Transformers Pvt Ltd.

urgent
P.O. nos 7
for S'wamyam!

Mekha & Modi - P.O. no. 6457
Modi & Modi - P.O. no. 6458

WORK ORDER

WO No. A 477

Original / Office Copy / Purchase Div. Copy

WO Date 19/Jun/09

From: Modi & Modi Constructions
5-4-187/3&4, II floor, M G Road, Secunderabad, 500003

Quote No Nil

Quote Dat 10/Jun/09

To: Vkas Power Projects
Fathenagar, Hyderabad.

Contact Person Mr. K.Singh

Work Order for Supply

of the following:

S No	Item	Oter Spec	Quant.	Rate	Disco-unt %	VAT	Amount in Rs.
1	1945:Electrical-LT Works- in Lumpsum		1	180000	0	0	180,000
2	2801:Electrical-HT Works- in Lumpsum		1	49000	0	0	49,000
Total Work Order Value in Rs.							229,000

Terms Conditions:

Specifications / Brand As per the quote dtd. 10.06.09.

Payment Terms As per attached W.O. excel sheet.

Tax All taxes included in above price.

Delivery Date By July 2nd, 2009.

Completion by By July 7th, 2009.

Delivery Location Nilgiri Homes

Phone: 9908282828

Sy No:143/133/134/135/136 .Rampally Village.

Penalty For Delay As per attached W.O. excel sheet.

Transport Cost Included in the above price.

Warranty As per warranty period attached in W.O. excel sheet.

Measurement Final payment as per actual measurements on site.

Security You shall be responsible for your material at our site against theft or damage. Lockable rooms shall be provided on request.

Advance Paid Rs.40,000/- vide Chq. No.386172 , dtd. 02/05/09 on HDFC Bank

Other Terms We reserve the right to reject items not conforming to qty & specs. Above W.O for LT & HT works for bungalow Nos. 48 to 95 purpose -50 blows! (Req.No.21315)

For Modi & Modi Constructions

Authorised Signatory

Name:

[Handwritten Signature]
Name: *[Handwritten Name]*

Accepted the above Terms and Conditions

For Vkas Power Projects

Name:

Date:

fair copy

WORK ORDER

WO No. A 477 Original / Office Copy / Purchase Div. Copy WO Date 19/Jun/09
 From: Modi & Modi Constructions Quote No Nil
 5-4-187/3&4, II floor, M G Road, Secunderabad, 500003 Quote Dat 10/Jun/09
 To: Vkas Power Projects Contact Person Mr. K.Singh
 Fathenagar, Hyderabad.

Work Order for Supply of the following:

S No	Item	Oter Spec	Quant.	Rate	Disco-unt %	VAT	Amount in Rs.
1	1945:Electrical-LT Works- in Lumpsum		1	180000	0	0	180.000
2	2801:Electrical-HT Works- in Lumpsum		1	49000	0	0	49.000
Total Work Order Value in Rs.							229.000

Terms Conditions:

Specifications / Brand As per the quote dtd. 10.06.09.

Payment Terms As per attached W.O. excel sheet.

Tax All taxes included in above price.

Delivery Date By July 2nd, 2009.

Completion by By July 7th, 2009.

Delivery Location Nilgiri Homes
 Sy No:143/133/134/135/136 .Rampally Village.

Phone: 9908282828

Penalty For Delay As per attached W.O. excel sheet.

Transport Cost Included in the above price.

Warranty As per warranty period attached in W.O. excel sheet.

Measurement Final payment as per actual measurements on site.

Security You shall be responsible for your material at our site against theft or damage. Lockable rooms shall be provided on request.

Advance Paid Rs.40,000/- vide Chq. No.386172, dtd. 02/05/09 on HDFC Bank

Other Terms We reserve the right to reject items not conforming to qlty & specs. Above W.O for LT & HT works for bungalow Nos. 48 to 95 purpose. (Req.No.21315)

For Modi & Modi Constructions *250 blows!* Accepted the above Terms and Conditions
 For Vkas Power Projects

Authorised Signatory

Name:

Ganraj Modi

Name:

Date:

Company: Modi & Modi Construction
 Project: Nilgiri Homes
 Work Description: Estimation for kamal singh work for H.T & L.T & power cable for B.W no 48 to 95.
 Date: 27.05.09

ESTIMATION FOR POWER CABLE FOR MNM SITE FROM BW.NO 48 TO 95

S.No	Item Head	Description	Core	In Sq.mm	Quantity	Units Nos	Approx. Rate L.S	Amount
Transformer 165 KVA								
A Transformer to MDB Main cable								
a	Transformer to MDB	Cable	3.5	150	✓ 20	Mts	500	10000.00
b	MDB to DBA	Cable	3.5	95	✓ 68	Mts	300	20400.00
c	MDB TO DBB	Cable	3.5	95	✓ 118	Mts	300	35400.00
d	DBA to DBC	Cable	3.5	70	✓ 121	Mts	250	30250.00
e	DBB to DBD	Cable	3.5	50	✓ 119	Mts	200	23800.00
Sub Total A								119850.00
Generator Cable								
2 Generator 125 KVA								
MDB to Generator								
a	MDB to DBA	Cable	3.5	150	✓ 20	Mts	500	10000.00
b	MDB to DBB	Cable	3.5	16	✓ 68	Mts	70	4760.00
c	MDB to DBC	Cable	3.5	16	✓ 118	Mts	70	8260.00
d	DBA to DBC	Cable	3.5	10	✓ 121	Mts	70	8470.00
e	DBB to DBD	Cable	3.5	10	✓ 119	Mts	70	8330.00
f	Generator cable DBD' (B.W no 8 to 14) to club house	Cable	3.5	25	✓ 25	Mts	100	2500.00
g	Generator DBD (B.W no 8 to 14) to pumps & street light	Cable	4.0	10	✓ 58	Mts	70	4060.00
Sub Total B								84000.00
Street light cable								70
Sub Total								130380.00

Nilgiri

check value

500
300
300
250
200

(B)

500
70
70
70
70
100
70

(C)

1.30
1.80
0.50
check value
10
2 to 30
more in front of
APTR ca. 25mm
APTR ca. 25mm
3.30
1.60
1.20
0.50
3.30
30
50
Contract value

C	Earthing Work					
1	Transformer (C.I Earthing)	3	Nos	2000	6000	
2	Generator (C.I Earthing)	1	Nos	2000	2000	
3	Transformer/ Generator (G.I Earthing)	2	Nos	1000	2000	
4	D.B & Fidler (Earthing)	4	Nos	1000	4000	
5	Street Lighting (Earthing)	18	Nos	1000	18000	
6	H.T (Box pole), Excavation & Earthing	1	Nos	15000	15000	
7	A.V Switches Etc	1	Nos	15000	15000	
8	H.T Termination	1	Nos	10000	10000	
	Sub Total C				72000	
D	Cable Laying					
1	H.T Cable	1	Nos	L.S	10000	
2	L.T Cable (Main)	1	Nos	L.S	15000	
3	Generator Cable	1	Nos	L.S	12000	
4	Termination with Lux & glands with Material	1	Nos	L.S	15000	
5	Inter connection by G.I Fitting & G.I wire	1	Nos	L.S	15000	
6	Licensing for Estimate fees	1	Nos	L.S	40000	
7	Licensing for Charging	1	Nos	L.S	20000	
					127000	
E	Grand Total= A+B+C+D+ Transformer				609230.00	

by canal syph.

connected by canal Syph.

Transformer (C.I Earthing)
 Generator (C.I Earthing)
 Transformer/ Generator (G.I Earthing)
 D.B & Fidler (Earthing)
 Street Lighting (Earthing)
 H.T (Box pole), Excavation & Earthing
 A.V Switches Etc
 H.T Termination

H.T Cable
 L.T Cable (Main)
 Generator Cable

Cable laying.

Termination with Lux & glands with Material
 Inter connection by G.I Fitting & G.I wire
 Licensing for Estimate fees
 Licensing for Charging

9/10/15-5-09

VKAS POWER PROJECT

3-112;Fatehnagar;Hyderabad

To,

M/S Modi & Modi ^{Constructions} ~~Homes~~;

Nilgiri Homes; Rampally

Hyderabad

Sir,

Subject : Quotations for Electrification of layout-Regarding.

I am hereby submitting after final review the quotations for your kind approvals.

A) Liasoning with APCPDCL-Rs.65,000.00 ✓ → ok

B) H.T.Works:

1. Supply and Erection of Box Pole @Rs.15,000.00 ✓

2. Supply and Erection of A.B.Switch & H.G Fuse set Box @Rs.15,000.00 ✓

3. Supply and Terminations of 3x35 sq.mm cables @Rs.5,000.00x2=Rs.10,000.00

4. Laying of H.T.Cables@ Rs 75x160m=Rs 12,000.00 ✓

Sub total Rs 52,000.00 ✓

C) L.T.Works:

✓ 1. Supply and erection of Main Distribution Board (for APCPDCL)made of 18 Guage CRCA steel sheet with ..doors powder coated with Seimens Grey color powder with 200 Amps as incomer & 4 nos ..100 Amps MCCB (all Merlin& Gerim make) @ Rs 32,000.00 ✓

✓ 2. Supply and erection of Main Distribution Board (for Generator)made of 18 Guage CRCA steel sheet with doors powder coated with Seimens Grey color powder with 200 Amps as incomer & 4 nos 100 Amps MCCB (all Merlin& Gerim make) @ Rs 32,000.00 ✓

✓ 3. Supply and Erection of Double Circuit Double door Feeder Boxes with 125/63 A MCCB and Average 9 sets of outgoing with 3x32A MDS MCB sets
Fab:9,000.00+MCCB 4,000.00+Busbars,Lugs,Connectors Linking 5,000.00+MCB,Powder coating 5,000.00+Wiring Rs 4,000.00labour,TaxRs4000.00+profit 4000.00=Rs 35,000.00
Less Discount 10%=Rs 3 2,500.00x2 nos= Rs 65,000.00

✓ 4. Supply and Erection of SingleCircuit Double door Feeder Boxes with 125/63 A MCCB and Average 9 sets of outgoing with 3x32A MDS MCB sets
Fab:9,000.00+MCCB 2,000.00+Busbars,Lugs,Connectors Linking 5,000.00+MCB,Powder coating 5,000.00+Wiring Rs 4,000.00labour,TaxRs4000.00+profit 4000.00=Rs 33,000.00
Less Discount 10%=Rs 29,700.00x2 nos= Rs 59,400.00

✓
8/10
Wed. 10-6-09

Revised quote.
10.6.09
63

~~Nilgiri Homes~~

- ✓ 5. Supply and erection of Street light / Pumps Control Box with manual c.o.switch 7 outgoingas desired at site @ Rs 8,000.00x2 nos=Rs,16,000.00
- ✓ 6. Supply and erection of street light junction boxes for Tubular Poles@rs 750.00x20nos=Rs15,000.00
- ✓ 7. Supply and erection of Gen.Feeder Boxes @ 4,000.00x 4nos=Rs 20,000.00

D)Cable Laying

- 1. Laying of Main Cables through Pipies3.5x 185/95/70/50 Main Cables Rs 25,000.00 ✓
- 2. Laying of Geerator Cables through Pipies3.5x 185/50/35/25 Main Cables Rs 20,000.00 ✓
- 3, Laying of Street Light Cables through Pipies4x10/6 Main Cablers Rs 16,000.00 - *cancel!*
- 4. Terminations of Main cablesRs6,000.00 ✓
- 5. Terminations of Generator cablesRs5,000.00 ✓
- 6. Terminations of Main cablesRs4,000.00 ✓
- 7. Erection of ofStreet light Pole,Assemly and erection of S.L.Fixtures &testing @ Rs 900/-x20nos=Rs18,000.00 ✓
- 8. Supply and Earthing of T/F withCast Iron (3 nos for T/f & 1 no for Gen) @ Rs 2,000.00 x4=Rs 8,000.00 ✓
- ~~9) Supply and sinking of Earth stations for Poles and feeder Boxes @ 1000.00x25 nos=Rs 25,000.00~~
- ✓ 10) Interconnections of Earthing by G.I.Flats at T/f ,Gen.Feederboxes 7 pole by 8 guage G.I.Wires @ 2000.00 x 8 units= rs 16,000.00 & poles Rs 5,000.00 ✓

Generator pipes
Rs 2,39,400 =

Transformer
Generator
cancel!

Kamal Singh
T.Kamal Singh

Rs 1,02,000

around 160KVA Transformer

suvid
for
10.6.09.

25

Xerox copy

M. Modi and Modi Construct.

Section
13/1/05

Nilgiri Homes

VKAS POWER PROJECTS

3-112/5; Fatehnagar; Hyderabad

Our Ref : : VKAS/Modi/NH/09/01

M/S Modi Properties & Investments Pvt.Ltd

Nilgiri Homes: Rampalli

Sir

Subject :: Quotations for Electrical Works at NILGIRI Homes -Regarding

I have visited the site and hereby submit my lowest offer and request you to kindly verify the quantities as per site conditions .

1. Liasoning with APCPDCL Rs.70,000.00

2. H.T Works

A. Supply and Erection of Box Pole- @Rs ^{16,000} 16,000.00 X 1 Nos = 16,000

B. Supply and Erection of A.B. Switch & H.G Fuses @Rs. ^{12,000} 12,000.00 X 1 Set = Rs 12,000.00

D. Supply and Erection of 55 sq.mm Conductor, X Arm etc 1 Span @ 9,000.00 X 1 = Rs 9,000.00 ✓

E. Laying of 3x50 sq.mm Cable(LS) @ Rs.50.00 x 50M = 2,500.00 ✓

F. Terminations of 3x50 sq.mm Cables @ Rs 5,000.00 x 2 = Rs 10,000.00

Sub total = Rs. 49,500.00 ✓

3. L.T. Works

A. Supply and Erection of Main Distribution Board with 400 Amps I/C & 6 nos 100 amps
...outgoings MCCB @ 55,000.00 x 1 = 55,000.00

B. Supply and Erection of Main Distribution Board for Gen with 200 Amps I/C, 4 nos
...outgoings MCCB @ 32,000.00

C. Supply and Erection of Double door Double Circuit Feeder Boxes with 125/63 A MCCB
...for Average 10 outlets with 32 Amps MDS MCB @ Rs. 27,500 x 4 nos = Rs. 1,10,000.00

D. Supply and Erection of Erection of Double door Single Circuit Feeder Boxes with 100A
...MCCB for Average 10 outlets with 32 Amps MDS MCB @ Rs. 23,500 x 4 nos =
...Rs. 94,000.00

E. Supply and Erection of Gen. Feeder Boxes @ Rs.4,000.00x9 nos = Rs.36,000.00 ✓ *chle*

E. Supply and Erection of St Light/ Pumps M.D.B @ 8,000.00 x 2 nos = Rs.16,000.00 *chle*

F. Erection of Poles including fixture assembly and charging @ Rs.900.00 x 30 nos = Rs. 27,000.00

G. Supply and erection of Switch Box, fixing of lights S/Arm @ 750/-x30 nos = 22,500.00

Sub total Rs.3,92,500.00 ✓

4.Cabling and Earthing

details, sizes - ? lengths!

A. Laying of Main Cables @25,000.00 -

B. Laying of Generator Cables @ 22,000.00 -

C. Laying of Street light Cables @ 18,000.00

D. Terminations of Main Cables with Lugs and Gland for 3.5x300, 19 mm Cables @400.00x2=Rs.800.00

E. Terminations of Gen. Cables with Lugs 185/90/70/50/35 @ 300/-x 40 = Rs. 12,000.00 *chle*

F. Terminations of St. light Cables @ 150/-x 30=Rs.4,500.00

G. Earthing of Main T/F, MDB with Cast Iron & Betonite Powder @ 1800/-x 4 = Rs 7,200.00

H. Earthing of Feeder Boxes & ST.Lights and Connecting to Earth @ 1000.00 x 30 = 30,000.00

I. Interconnections with G.I. Flat @ 3,000.00x 3 set= Rs 9,000.00

Subtotal Rs. 1,28,500.00 ✓

Summary

1. Liasoning	Rs. 70,000.00
2. H.T. Works	Rs. 49,500.00
3. L.T. Works	Rs. 3,92,500.00
4. Cabling and Earthing	Rs. 1,28,500.00

Total Rs 6,40,500.00 ✓

I. Kamal Singh
(Signature)

(Signature)

VKAS POWER PROJECTS

3-112/5;Fatehnagar;Hyderabad

Our Ref : : VKAS/Modi/NH/09/01

Recd on
13/4/09
14/4/09

M/S Modi Properties & Investments Pvt.Ltd

Nilgiri Homes;Rampalli

Sir

Subject :: Quotations for Electrical Works at NILGIRI Homess -Regarding

I have visited the site and hereby submit my lowest offer and request you to Kindly
.....verifythe quantities as per site conditions .

1. .Liasoning with APCPDCL Rs.70,000.00

2.H.T Works

A.Supply and Erection of Box Pole- @Rs 16,000.00X1 Nos= 16,000

B. Supply and Erection of A.B.Switch & H.G Fuses @Rs.12,000.00x1 Set= Rs 12,000.00

D. Supply and Erection of 55 sq.mm Conductor, X Arm etc 1 Span @ 9,000.00x1=Rs9000.00

E. Laying of 3x50 sq.mm Cable(LS) @ Rs.50.00 x50M=2,500.00

F. Terminations of 3x50 sq.mm Cables@Rs5,000.00x2= Rs10,000.00

Sub total=Rs.49,500.00

3.L.T.Works

A. Suply and Erection of Main Distribution Boardwith 400 Amps I/C &6 nos 100 amps
...outgoings MCCB @ 55,000.00 x 1 =55,000.00

B. Supply and Erection of Main Distribution Board for Gen with 200 Amps I/C . 4 nos
...outgoings MCCB @32,000.00

C.Supply and Erection of Double door Double Circuit Feeder Boxes with 125/63 A MCCB
....for Average 10 outlets with 32 Amps MDS MCB@ Rs. 27,500x 4nos= Rs.1,10,000.00

D. Supply and Erection of Erection of Double door Single Circuit Feeder Boxes with 100A
....MCCB for Average 10 outlets with 32 Amps MDS MCB@ Rs. 23,500x 4nos=
....Rs.94,000.00

E. Supply and Erection of Gen. Feeder Boxes @ Rs.4,000.00x9 nos= Rs36,000.00

E. Supply and Erection of St.Light/ Pumps M.D.B @ 8,000.00 x 2 nos=Rs16,000.00

F. Erection of Poles including fixture assembly aand charging@Rs900.00 x30 nos= Rs27,000.00

G. Suply and erection of Switch Box,fixing of lights S/Arm @ 750/-x30 nos=22,500.00

Sub total Rs.3,92,500.00

4.Cabling and Earthing

A. Laying of Main Cables @25,000.00

B. Laying of Generator Cables @ 22,000.00

C. Laying of Street light Cables@ 18,000.00

D.Terminations of Main Cables with Lugs and Gland for 3.5x300 sq.mm Caables @400.00x2=Rs.800.00

E.Terminations of Gen. Cables with Lugs 185/90/70/50/35 @ 300/-x 40= Rs 12,000.00

F.Terminations of St. light Cables @ 150/-x 30=Rs.4,500.00

G. Earthing of Main T/F, MDB with Cast Iron & Betonite Powder @ 1800/-x4= Rs 7,200.00

H. Earthing of Feeder Boxes & ST,Lightsand Connecting to Earth @ 1000.00x 30= 30,000.00

I. Interconnections with G.I. Flat @ 3,000.00x 3 set= Rs 9,000.00

Subtotal Rs. 1,28,500.00

Summary

1.Liasoning Rs. 70,000.00

2.H.T.Works Rs. 49,500.00

3.L.T.Works Rs.3,92,500.00

4.Cabling and Earthing Rs. 1,28,500.00

Total Rs.6,40,500.00

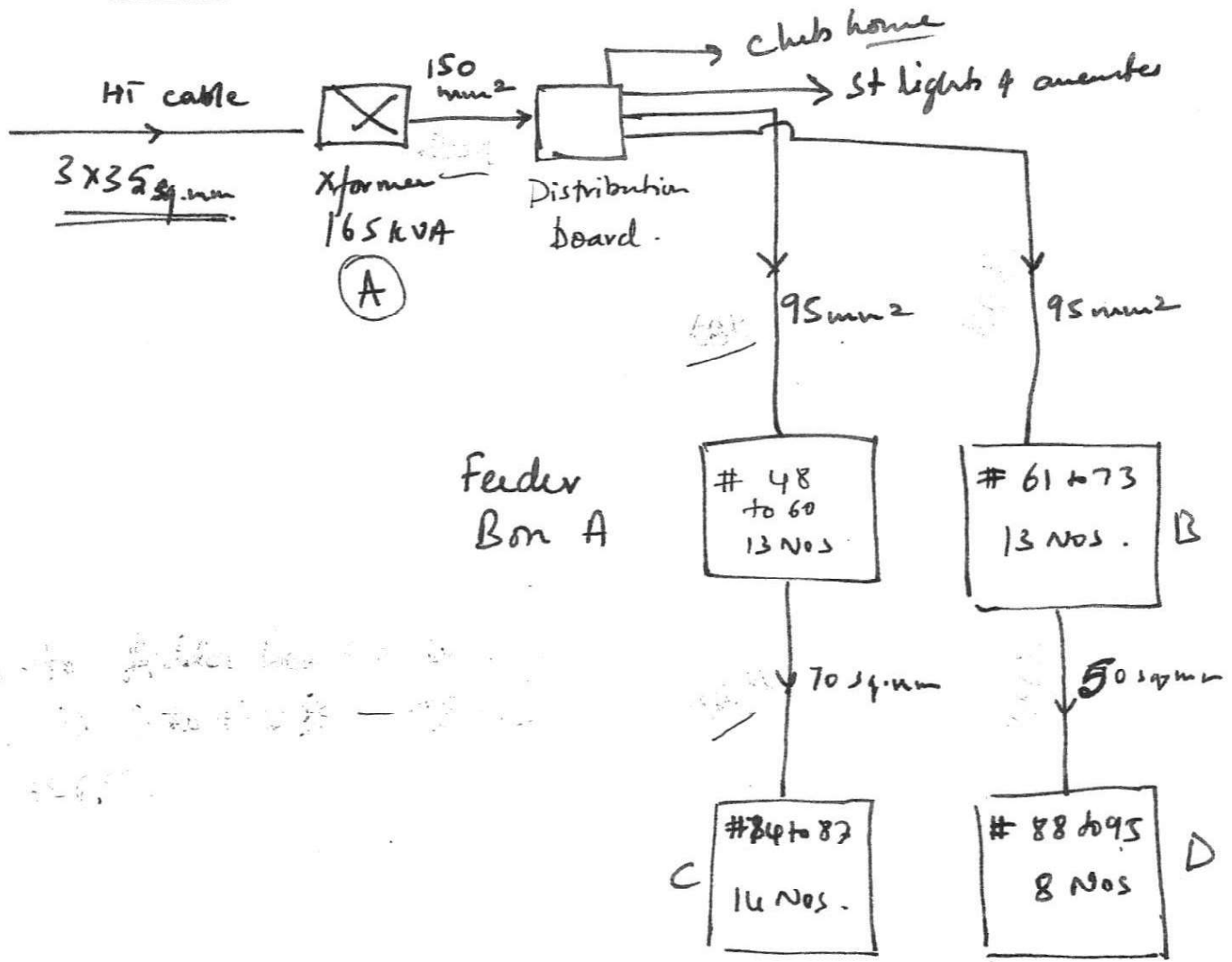
T.Kamal Singh




NILGIRI HOMER.

26/5/09

MOD1 & MOD2 CONST. - Circuit A.



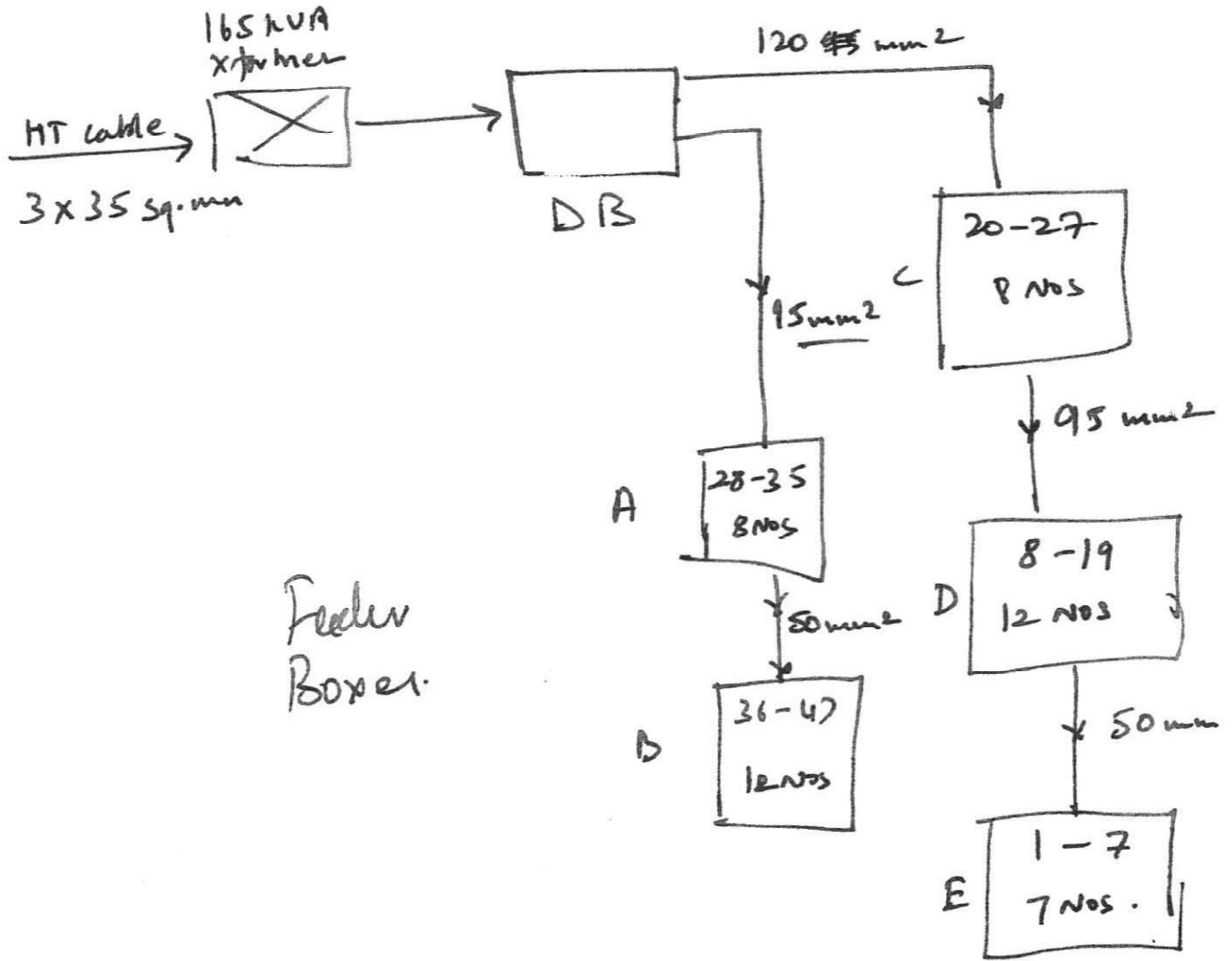
Notes to Feeder box...
... - ...
...

27-5-09

MNM

(B)

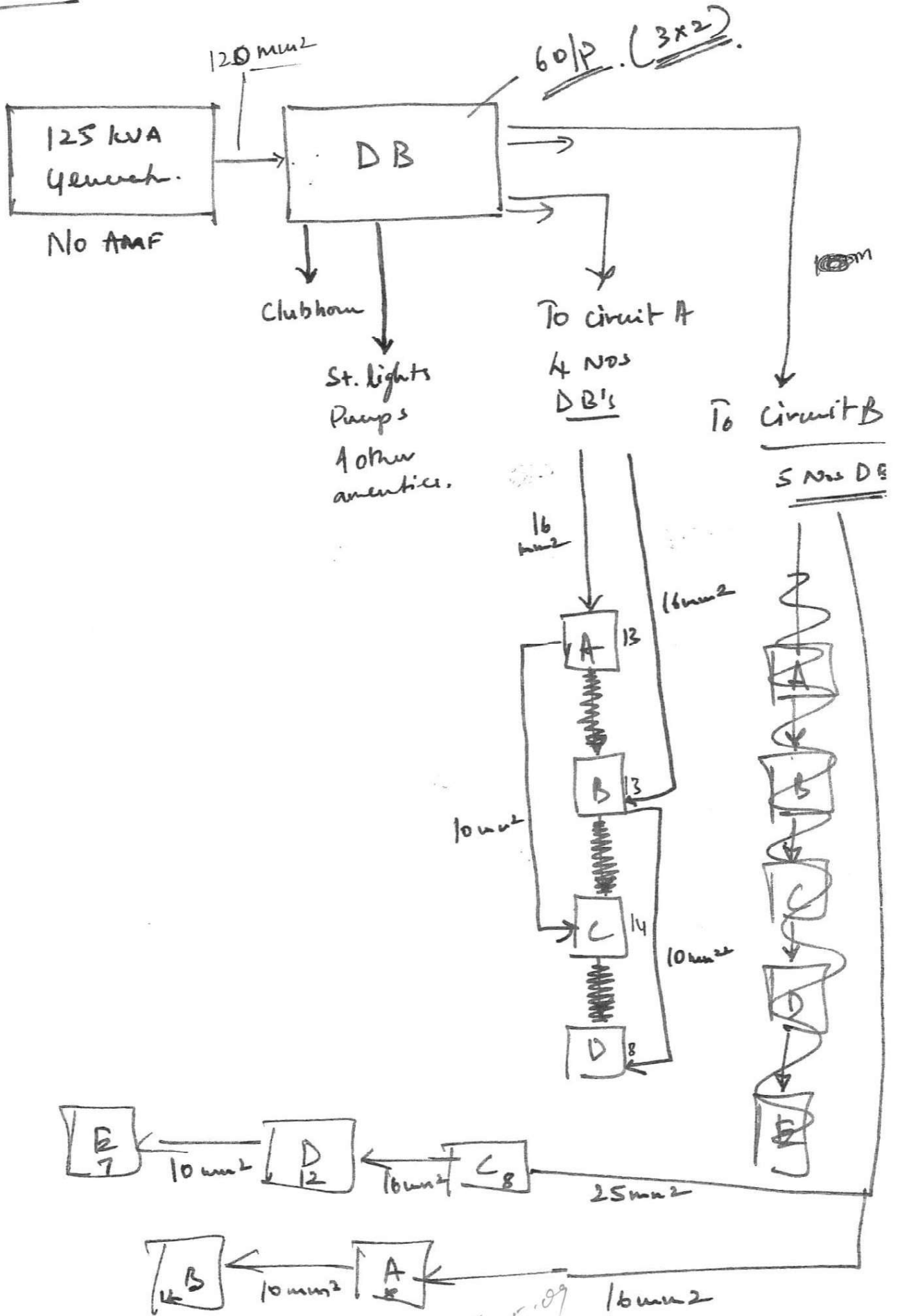
Circuit B



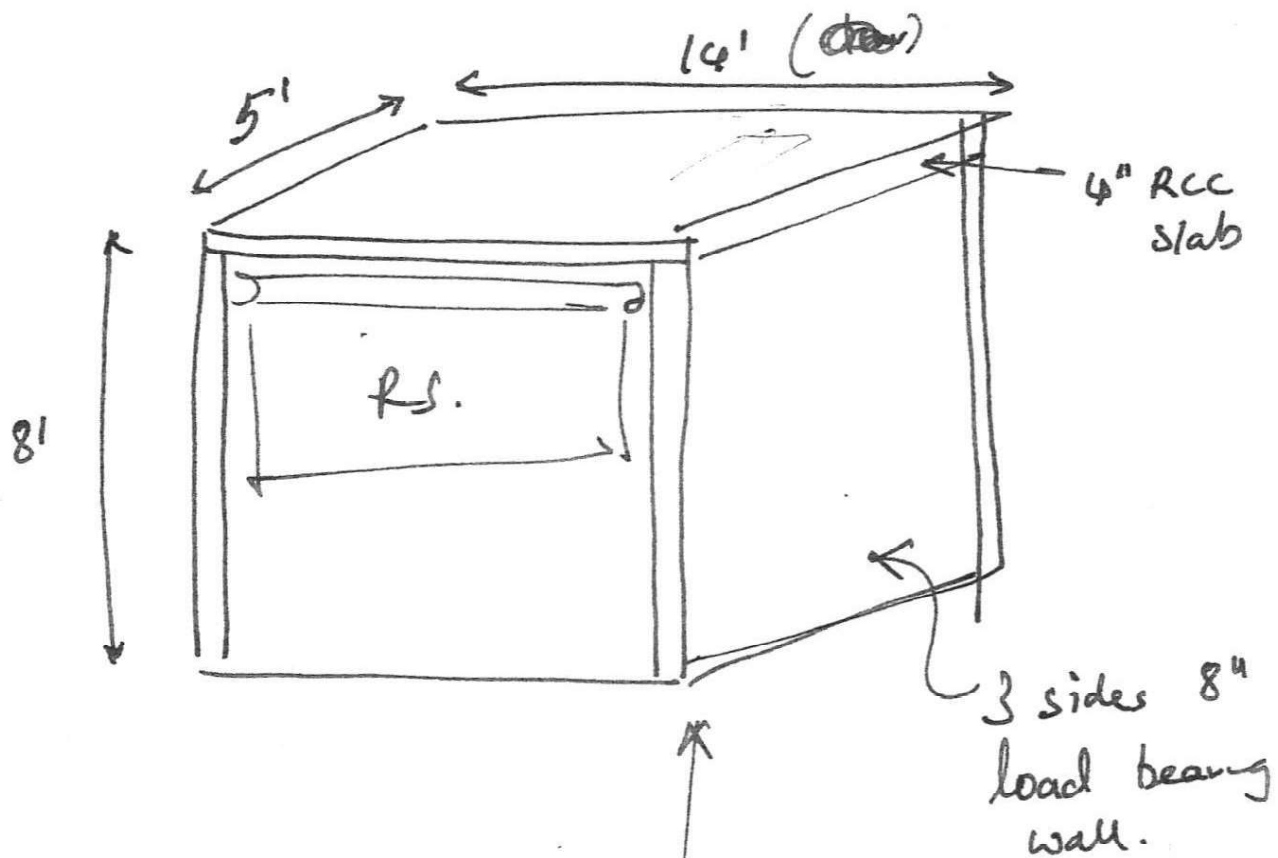
22-5-09

MNM

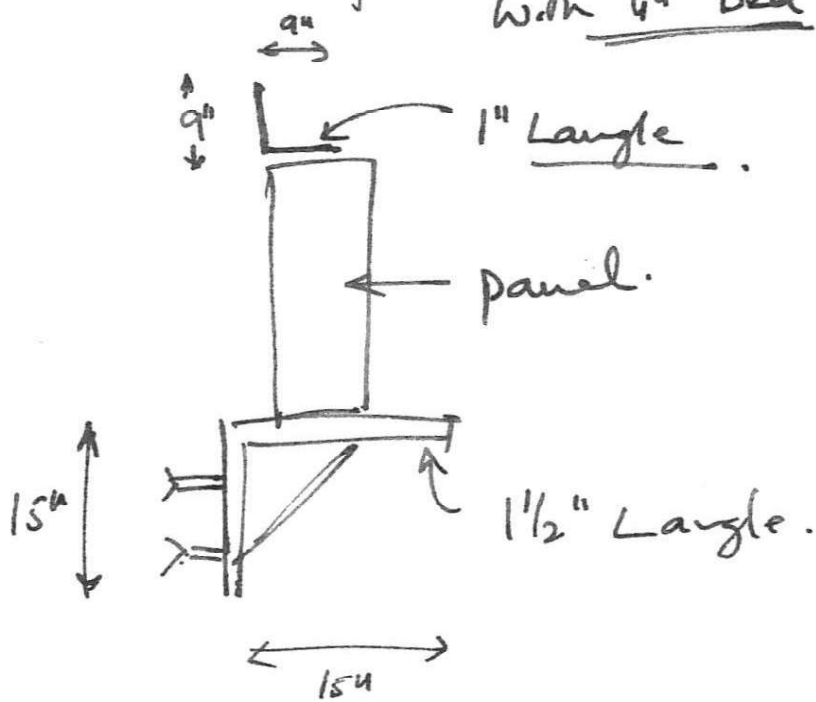
22/5/09



for 22.5.09



foundation 3' dep 18" wide CR. with 4" bed.



2021
27-5-21